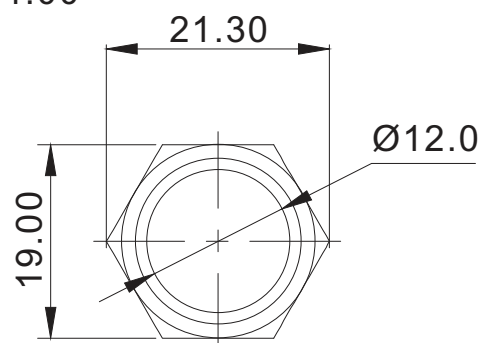
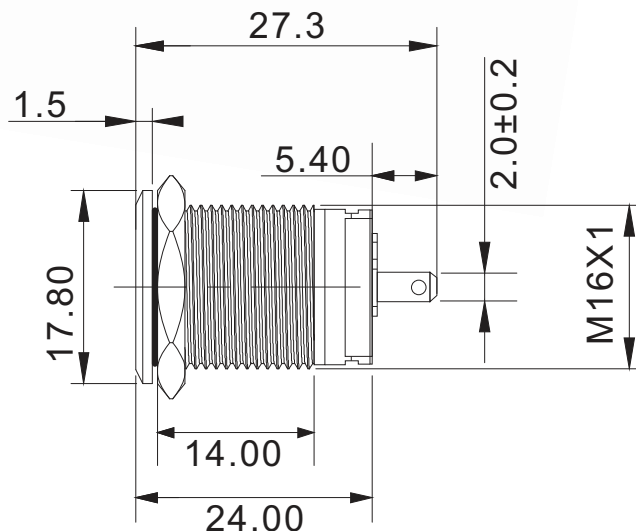
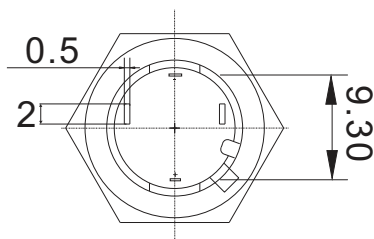
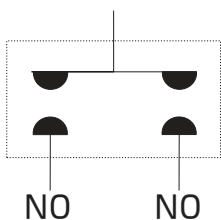
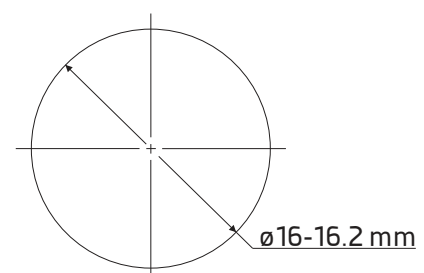


Push Button Switch, Latching, IP67 SPST, OFF-ON



Recommended Panel Cutout



Specifications:

Material:

Case: Glass fiber filled PA 66

Button: 304 Stainless Steel

Body shell: Brass, Tin plated

Terminal: Brass, Silver plated

Mounting type: Panel Mount

Termination: Solder lugs

Voltage rating: 48 V/DC

Current rating: 5 A (max.)

Contact resistance: <10 mΩ

Insulation resistance: >1000 MΩ

Actuation force: 4-7N

Operating Temp.: -25°C ~ 85°C

Mechanical life: 1 million cycles (min.)

Protection class: IP67 (front of panel sealing only)