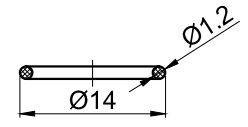
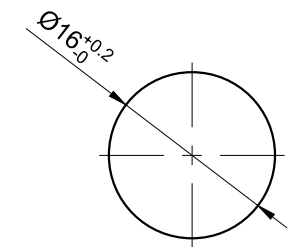
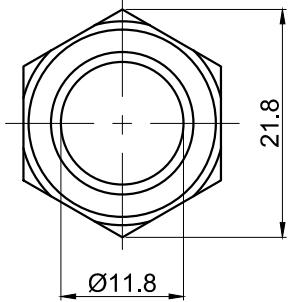
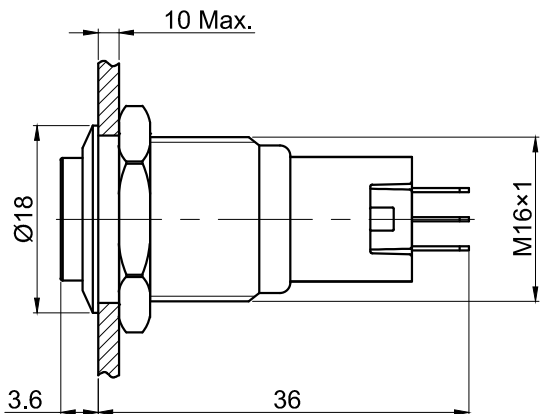
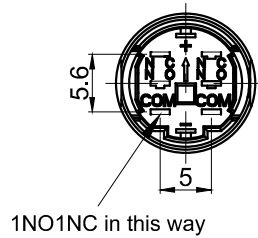


FOR 客户名称	APPROVED 客户确认签字	ATTN 销售负责人

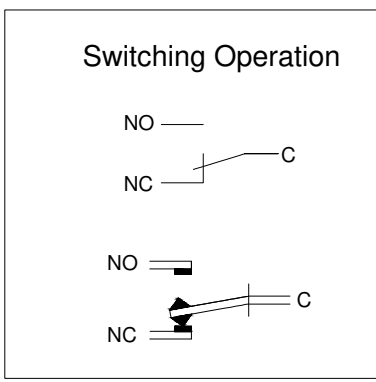


PANEL CUTOUT
MAX.PANEL THICKNESS
10 mm

Seal Ring



1NO1NC in this way



Part Number: LAS2GQH-□■/◎/☆

"□"	Contact structure	"■"	Operation mode	"◎"	Crust material	"☆"	IP Class
11	1NO1NC	No Letter	Momentary	S	Stainless steel	No Letter	IP40
22	2NO2NC	Z	Latching	A	Al alloy(black)	P	IP65
				N	Nickel Plated Brass	FP	IP67

SPECIFICATIONS:

- 1.Switch Rating: AC250V/0.5A, DC110V/0.1A.
- 2.Mechanical Life: ≥1,000,000cycles.
- 3.Electrical Life: ≥50,000cycles.
- 4.Contact Resistance: ≤50mΩ.
- 5.Insulation Resistance: ≥1,000MΩ.
- 6.Dielectric Strength: 1,500V, RMS 50Hz, 1min.
- 7.Operating Temperature: -25°C~ +55°C(No Freezing).
- 8.Operating Force: About 1.2~1.8N(1NO1NC), About 1.4~2N(2NO2NC).
- 9.Operating Travel: About 2.3mm.
- 10.Torque: About 0.6Nm max.applied to nut.
- 11.Protection degree: IP40/IP65/IP67;IK09.
- 12.Terminal Type: Pin Terminal(1.8 x 0.4mm).

MATERIALS:

- 1.Contact: Silver alloy.
- 2.Button: ◎.
- 3.Body: ◎.
- 4.Base: PA.

BRAND 品牌 ONPOW	红波按钮制造有限公司 ONPOW PUSH BUTTON MANUFACTURE CO.,LTD.		
	USED 用途	APPD 审核	CH 2020/04/23
THESE DRAWINGS AND SPECIFICATIONS ARE THE PROPERTY OF ONPOW PUSH BUTTON MANUFACTURE CO.,LTD. AND SHALL NOT BE REPRODUCED COPIED OR USED IN ANY MANNER WITHOUT THE PRIOR WRITTEN CONSENT OF ONPOW PUSH BUTTON MANUFACTURE CO.,LTD.	FINISH 处理	CHKD 校对	NCH 2020/04/23
	SCALE 比例 1.4 / 1	UNIT 单位 mm	DR. 制图 ZPD 2020/04/23
DIMENSIONS	TOLERANCE	TITLE 名称	GQ Series Anti-vandal push button
0.00 TO 18.00mm	±0.43mm	DWG NO. 图号	LAS2GQH
18.01 TO 30.00mm	±0.52mm	FILE NAME 档案名称	LAS2GQ不带灯.DWG
30.01 TO 50.00mm	±0.62mm	SHEET 张	1 / 1
50.01 TO 80.00mm	±0.74mm	REV. 更改	1
		SIZE 图纸	A4