

Changzhou ACT Motor Co., Ltd

DM

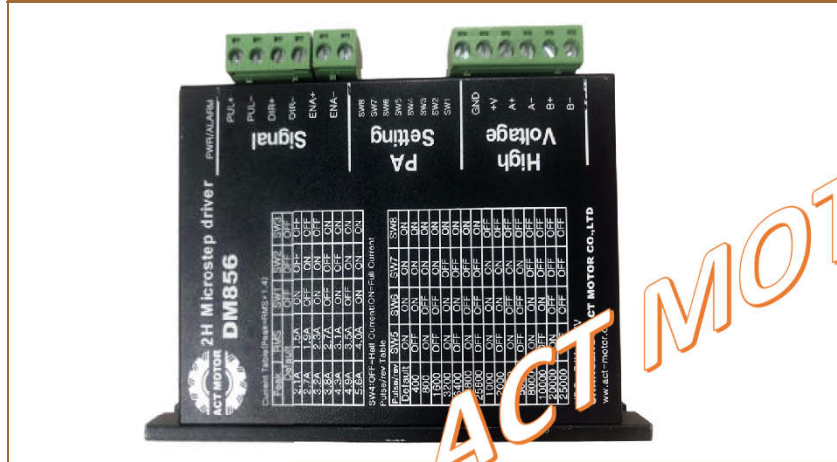
Stepper Motor Driver

DM856

MicroSteps Setting:400~25600

DC : 24~80V

Products Image



Overview

- Average current control, 2-phase sinusoidal output current drive
- 8 channels output phase current setting
- Offline command input terminal
- High start speed
- High holding torque under high speed
- High performance, low price
- Opto-isolated signal I/O
- Overvoltage, under voltage, overcurrent, phase short circuit protection
- 15 channels subdivision and automatic idle-current reduction
- Motor torque is related with speed, but not related with step/revolution

The connection between the driver and the two-phase hybrid stepping motor is four-wire. The motor windings are connected in parallel and in series, and the connection method is good. The high-speed performance is good, but the driver current is large (1.73 times the motor winding current). The drive current is equal to the motor winding current.

Features

Input voltage	24~80V DC
Output current	2.1A~5.6A
Input current	<4A
Humidity	Not condensation, no water droplets
Using environment	-10 ~ 45 °C, avoid dust and corrosive gas
Storage environment	-40~+70°C
Weight	200g

Control Signal

Symbol	Name
PUL+	Pulse signal +
PUL-	Pulse signal -
DIR+	Direction signal+
DIR-	Direction signal-
ENBL+	Enable signal +
ENBL-	Enable signal -

When the offline enable signal is active, the drive fault is reset, any valid pulses are disabled, the output power component of the drive is turned off, and the motor has no holding torque.

Motor and power

Symbol	Name	Remark
A+	Phase A+	
A-	Phase A-	
B+	Phase B+	
B-	Phase B-	
DC+	Input Power +	+24~80V
DC-	Input Power-	0V

Tel: 0519-81189628/81189728 Fax: 0519-81189528 Address: No. 1 Zhengda Road, Jingkai District, Changzhou City, Jiangsu Province Post Code: 213025

Web: <http://www.act-motor.com>

Changzhou ACT Motor Co., Ltd

DIP switch setting

In order to drive stepping motors with different torques, the user can set the output phase current (effective value) of the driver by the DIP switches SW1, SW2 and SW3 on the driver panel. The output current corresponding to each switch position, different models of drivers. The corresponding output current values are different. See the table below for details.

SW1	SW2	SW3	PEAK (A)	RMS (A)
OFF	OFF	OFF	Default	
ON	OFF	OFF	2.1	1.5
OFF	ON	OFF	2.7	1.9
ON	ON	OFF	3.2	2.3
OFF	OFF	ON	3.8	2.7
ON	OFF	ON	4.4	3.1
OFF	ON	ON	4.9	3.5
ON	ON	ON	5.6	4

SW4: 'OFF' has no semi-flow function; 'ON' has semi-flow function.

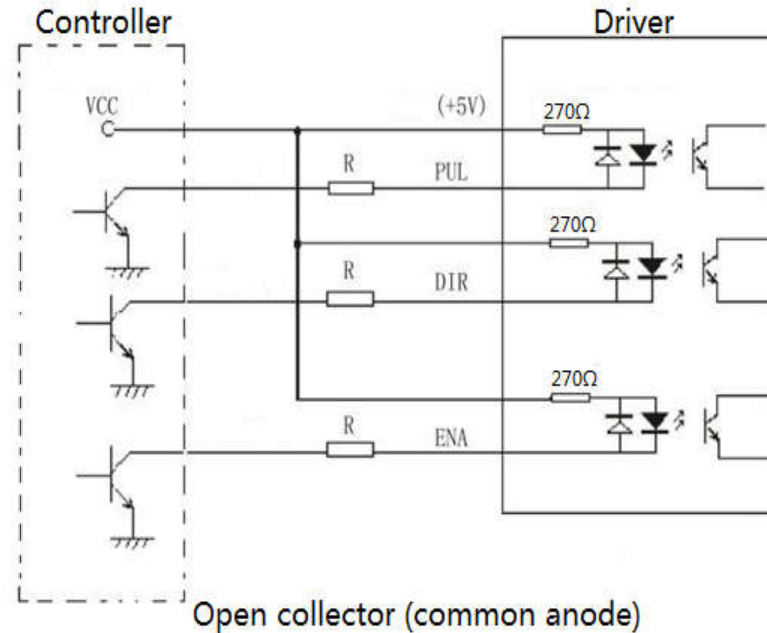
The semi-flow function means that after 500ms without stepping pulse, the output current of the driver is automatically reduced to 70% of the rated output current to prevent the motor from heating.

MicroSteps Setting

RPM	400	800	1600	3200	6400	12800	25600	/
SW5	OFF	ON	OFF	ON	OFF	ON	OFF	/
SW6	ON	OFF	OFF	ON	ON	OFF	OFF	/
SW7	ON	ON	ON	OFF	OFF	OFF	OFF	/
SW8	ON	ON	ON	ON	ON	ON	ON	/

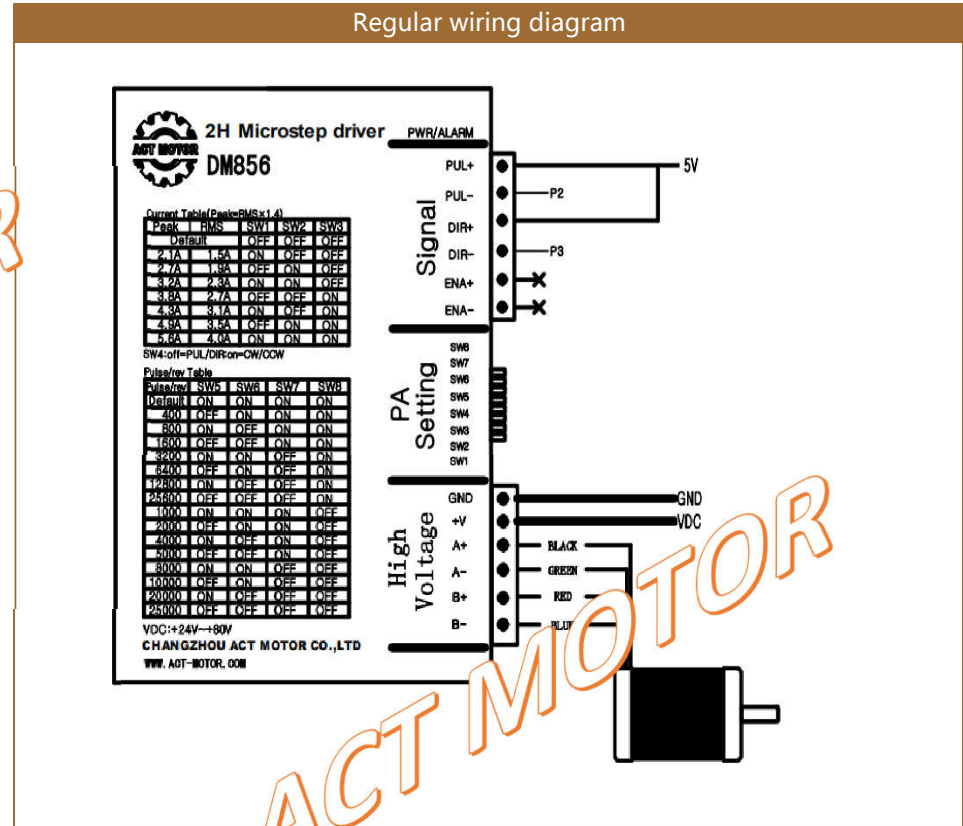
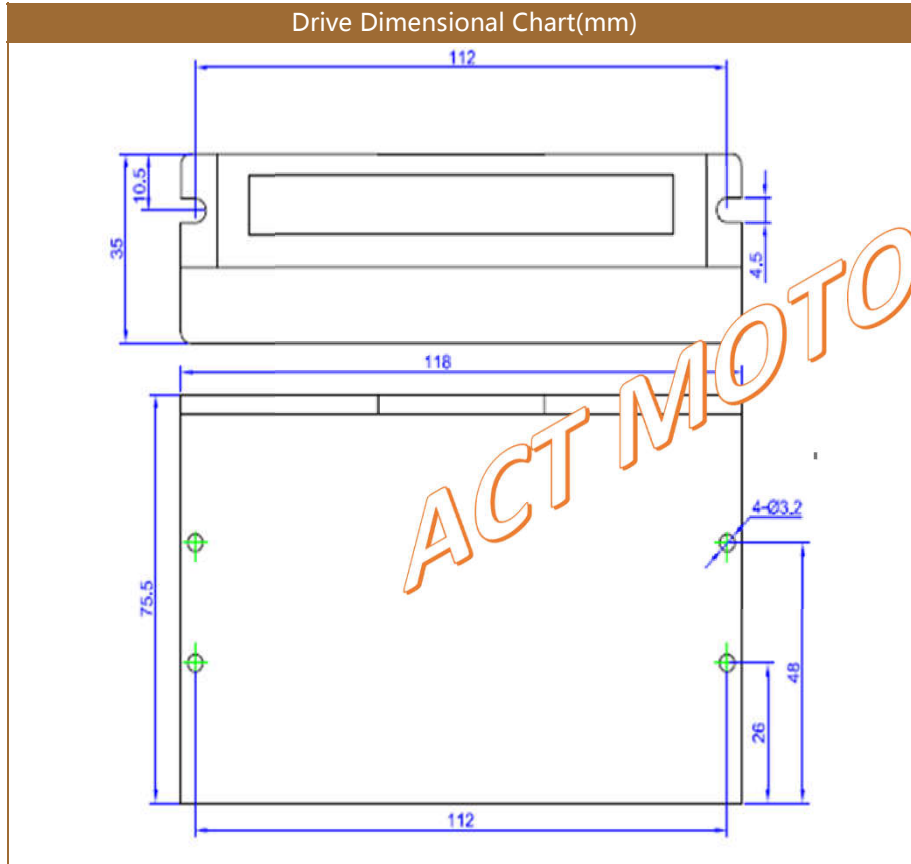
RPM	1000	2000	4000	5000	8000	10000	20000	25000
SW5	ON	OFF	ON	OFF	ON	OFF	ON	OFF
SW6	ON	ON	OFF	OFF	ON	ON	OFF	OFF
SW7	ON	ON	ON	ON	OFF	OFF	OFF	OFF
SW8	OFF	OFF	OFF	OFF	OFF	OFF	OFF	OFF

Control Signal Connection



Status light

PWR	Green light, bright when working
PWR	Lights off, lights up when fault occurs, motor phase-to-phase sensor circuit, overvoltage protection and undervoltage protection



Attention:

There must be 20mm space around, can not be placed next to other heating equipment, to avoid dust, oil mist, corrosive gas, humidity and strong vibration.

Adjustment of troubleshooting		
Alarm indicator	Reasons	Measures
LED off turn	Wrong connection for power	Check wiring of power
	Low-voltages for power	Enlarge voltage of power
Motor doesn' t run, without holding torque	Wrong connection of stepper motor	Correct its wiring
	RESET signal is effective when offline	Make RESET ineffective
Motor doesn' t run, but maintains holding torque	Without input pulse signal	Adjust PMW & signal level
Motor runs wrong direction	Wrong wires' connection	Change connection for any of 2 wires
	Wrong input direction signal	Change direction setting
Motor' s holding torque is	Too small relative to current setting	Correct rated current setting
	Acceleration is too fast	Reduce the acceleration
Motor torque is too small	Motor stalls	Rule out mechanical failure
	Driver does not match with the motor	Change a suitable driver

ACT MOTOR