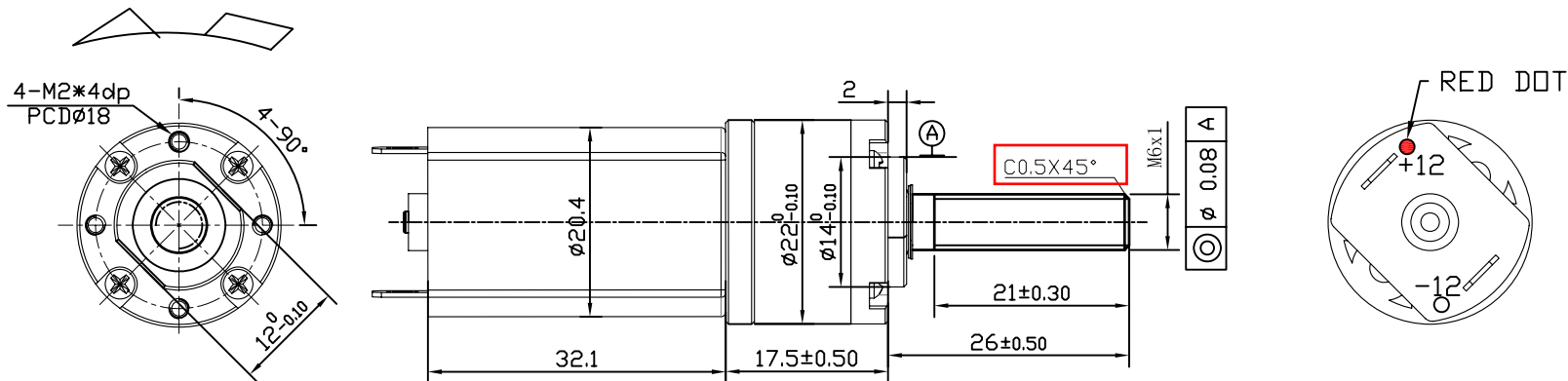


Drawing NO.	PG22A16K180X1290-037	Model No.	PG22180129000-16K	Voltage	12 DC
-------------	----------------------	-----------	-------------------	---------	-------

Drawing					版次: 1.0
---------	--	--	--	--	---------



External							
Thread Designation	CLASS	Thread angle	Major Dia		Pitch Dia		Minor D
			Max	Min	Max	Min	Max
M6x1	6 g	60°	5.974	5.794	5.324	5.212	4.891

Details	客户确认 (Customer APP.):		商	DC PLANET GEARED MOTOR TYPE - PG22180129000-16K DC 12 V No.140707XXXX
	Geared motor specification			
	No Load Current (A)	≤ 0.150	标	NO. 备注
	No Load Speed (r. p. m)	562 ± 10%		
	Rated Load Torque (kgf. cm)	0.3		
	Rated Current (A)	≤ 0.400		
	Rated Load Speed (r. p. m)	421 ± 10%		
	Stall Current (A)			
Stall Torque (kgf. cm)				
Rotation Direction	CCW			
Remarks				

Draw		Rev		App.	
------	--	-----	--	------	--