



Globe Technology Component

GB-333RS2D

DATA SHEET



GLOBE
受管制文件
Controlled Document
Issued by Spec. Center

MedioText GmbH
Brühlstr. 67/1
71292 Friolzheim
Tel. 07044 940716
Fax 07044 954984
E-Mail: info@MedioText.de
www.MedioText.de

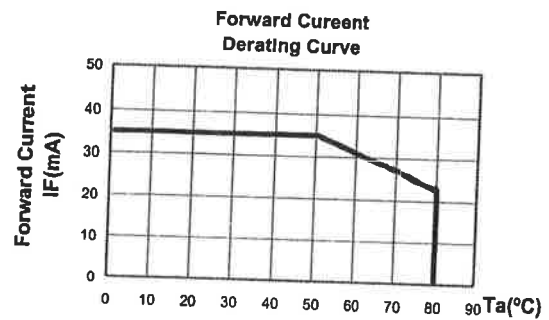
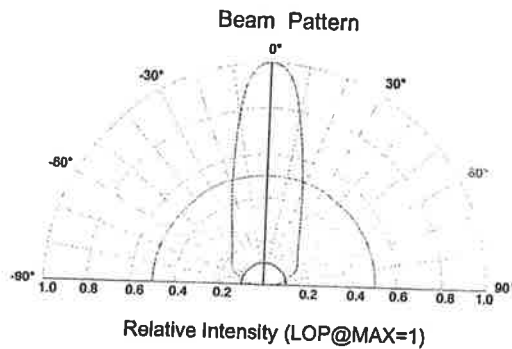
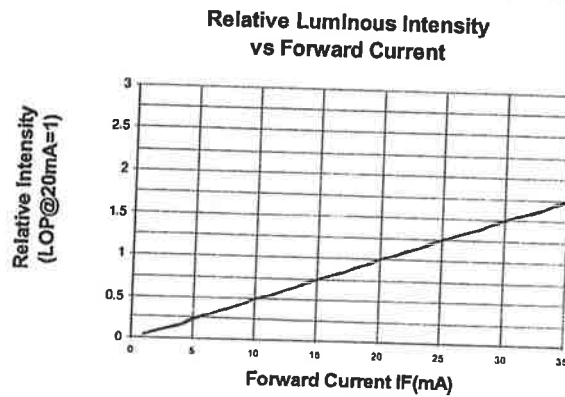
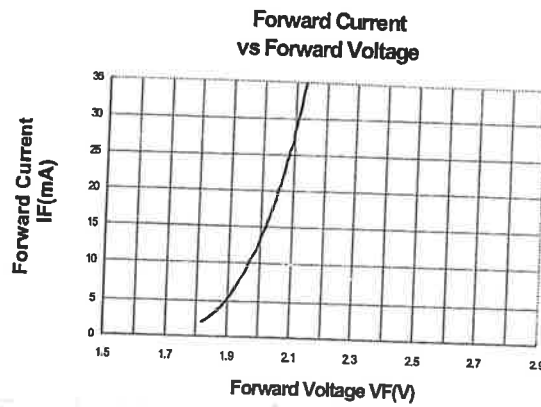
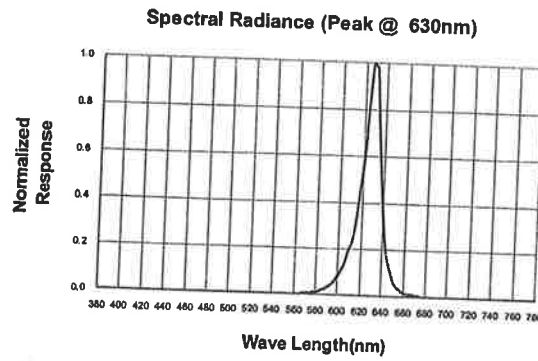
QC: 王士光 ENG: 謝嶽銳 Prepared By: 王新飛

Part No.	GB-333RS2D	Spec No.	LL-503VD2E-009/S1	Page	1 of 4
----------	------------	----------	-------------------	------	--------



Globe Technology Component

Typical Electrical / Optical Characteristics Curves (25°C Ambient Temperature Unless Otherwise Noted)



Part No.

GB-333RS2D

Spec No.

LL-503VD2E-009/S1

Page

4 of 4



Absolute Maximum Ratings at Ta=25°C

Parameter	MAX.	Unit
Power Dissipation	90	mW
Peak Forward Current (1/10 Duty Cycle, 0.1ms Pulse Width)	100	mA
Continuous Forward Current	35	mA
Derating Linear From 50°C	0.4	mA/°C
Reverse Voltage	5	V
Operating Temperature Range	-30°C to +80°C	
Storage Temperature Range	-40°C to +100°C	
Lead Soldering Temperature [4mm(.157") From Body]	260°C for 5 Seconds	

Electrical Optical Characteristics at Ta=25°C

Parameter	Symbol	Min.	Typ.	Max.	Unit	Test Condition
Luminous Intensity	I _v	250	500		mcd	I _F =20mA (Note 1)
Viewing Angle	2θ _{1/2}		35		Deg	(Note 2)
Peak Emission Wavelength	λ _p		630		nm	I _F =20mA
Dominant Wavelength	λ _d		620		nm	I _F =20mA (Note 3)
Spectral Line Half-Width	Δλ		20		nm	I _F =20mA
Forward Voltage	V _F		2.0	2.6	V	I _F =20mA
Reverse Current	I _R			50	μA	V _R =5V

Notes:

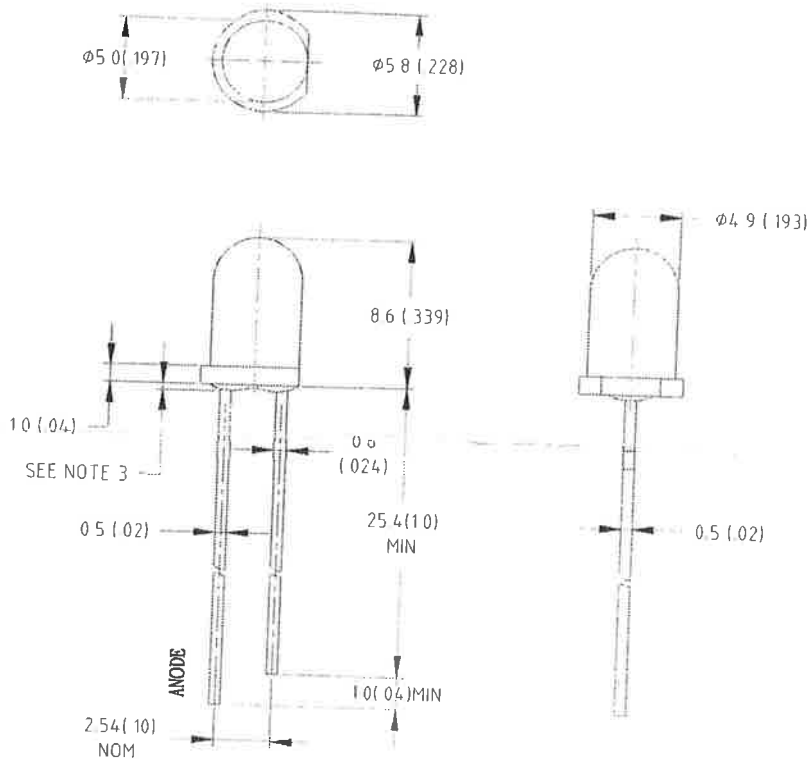
1. Luminous intensity is measured with a light sensor and filter combination that approximates the CIE eye-response curve.
2. θ_{1/2} is the off-axis angle at which the luminous intensity is half the axial luminous intensity.
3. The dominant wavelength (λ_d) is derived from the CIE chromaticity diagram and represents the single wavelength which defines the color of the device.
4. Forward voltage measurement allowance is ±0.1V
5. Luminous Intensity Measurement Allowance is ± 10%.



Features

- ◆ High intensity
- ◆ Standard T-1 3/4 diameter package
- ◆ General purpose leads
- ◆ Reliable and rugged
- ◆ RoHS compliant

Package Dimension:



Part NO.	Chip Material	Lens Color	Source Color
GB-333RS2D	AlGaInP	Red Diffused	Super Bright Red

Notes:

1. All dimensions are in millimeters (inches).
2. Tolerance is ± 0.25 (.010") mm unless otherwise noted.
3. Protruded resin under flange is 1.0mm (.04") max
4. Lead spacing is measured where the leads emerge from the package.
5. Specifications are subject to change without notice