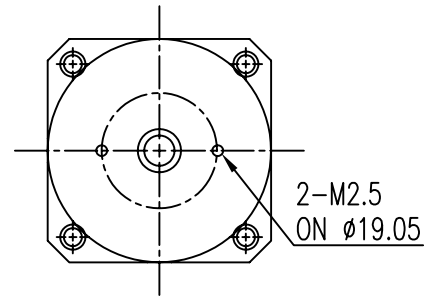
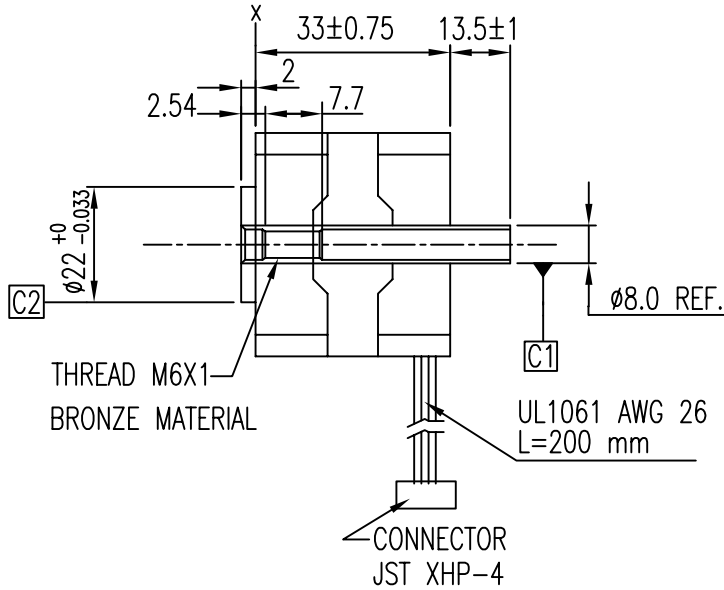
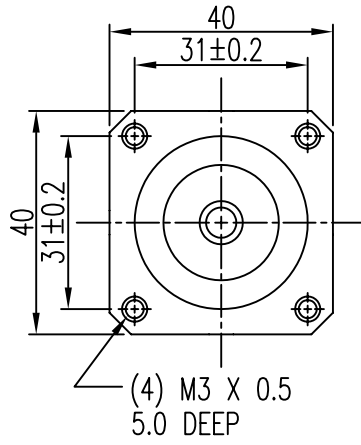


DIMENSION (UNIT : mm)



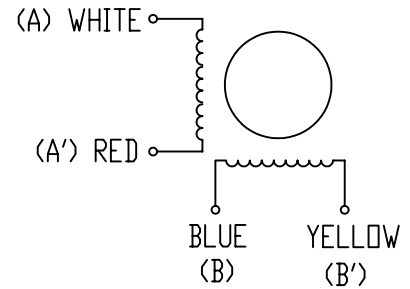
SPECIFICATION	
RATED VOLTAGE (VM)DC	3.5
AMPS/PHASE	1.2
RESISTANCE /PHASE Rm (Ohms)	2.9 ±10%
INDUCTANCE/PHASE.mH @1KHz	4.4 ±20%
STEP ANGLE (DEG)	1.8
STEP ACCURACY (NON-ACCUM)	±5%
HOLDING TORQUE (g-cm)	1500
ROTOR INERTIA (g-cm ²)	19
WEIGHT (g)	200
INSULATION CLASS	B
TEMPERATURE RISE	MAX.80°C
INSULATION RESISTANCE	100M ohm at 500VDC
DIELECTRIC STRENGTH	500VAC FOR ONE MINUTE
AMBIENT TEMPERATURE	-10°C ~ +50°C

- NOTES:
1. C1 DIAMETER RUNOUT TO BE 0.05 mm T.I.R. MAX.
 2. C2 CONCENTRIC TO C1 0.075 mm TIR.
 3. X SURFACE PERPENDICULAR TO C1 0.12 mm.
 4. WAVE WASHER AT X-SIDE.
 5. END CAPS TO BE BLACK PAINTED.

FULL STEP 2 PHASE-EX.,
WHEN FACING MOUNTING END (X)

STEP	A	B	A'	B'	COM	CW
1	+	+	-	-	+DCV	↓
2	-	+	+	-		
3	-	-	+	+		
4	+	-	-	+		

WIRING DIAGRAM



PIN NO.	LEADERS
1	WHT
2	BLU
3	RED
4	YEL

REV	DESCRIPTION	DATE	APVD

NANOTEC:L4018S1204-M6		SCALE FREE	APVD	24.10.04
X	±0.5	CHKD		
1PL	±0.2	DRN		
2PL	±0.1	SIGNATURE		
ANGLE	±30'	DATE		

STEPPING MOTOR	
DWG.NO	L4018S1204-M6_Z01