



smartwares®



DAY/NIGHT RHYTHM



ALL STAGES OF GROWTH



EASY TO ASSEMBLE

Warning

1. Turn off power before putting on or taking off parts.
2. Do not let children, invalids, or disabled people assemble the product.
3. Do not use outdoors.
4. Keep the Grow Light away from any direct sources of heat (e.g., stove, furnace vents).
5. Do not place or submerge cord, plug, LED light hood in water or other liquid to clean it.
6. Do not allow water to touch hot LEDs

Before performing any work on the device, make sure you have switched off the mains voltage. This device must be installed and assembled by qualified personnel. The device's safety is guaranteed only if these instructions are followed properly; therefore they should be kept for any future maintenance. The cables or electrical components should not be exposed to water or detergent. Clean by using a damp cloth and a mild detergent in warm water. Wipe the unit gently with a soft, clean cloth or cotton.

Function Descriptions

When potted plants have been placed indoor for a long time, got through rainy weather, or had lack of sunlight, the plants will suffer insufficient growth. The Grow Light can provide the right amount of illumination compensation to help the plants grow healthily. The LED lights are tuned to the specific spectrum that allows plants to have natural photosynthesis, which result in rapid, natural growth and

abundant harvests. The LED lights have very high CRI (color rendering index) and neutral white (4000K) light to ensure the best for human visualization. When turned on, the grow light can automatically light-on 16 hours for plants then light-off 8 hours, that is in conformity with the plant biology and will save energy.

Features and Benefits

1. Best for growing flowers, leafy plants, fresh herbs and vegetables
2. Professional and efficient LED plant growth light
3. Simple and practical function of illumination compensation
4. Nordic design simple fashion
5. Safe and easy way of assembly
6. Energy saving and environmental friendly

Recommend potted plants

Herbs: Basil, Parsley, Thyme, Mint, Dill etc.
Vegetables: Lettuce, Jalapeno, Tomato, Cuke etc.
Flowers: Dianthus, Coreopsis, Gazania, Phlox etc.
Succulents: Cotyledon, Sedum, Echeveria etc.

Notice

This product only provides the necessary plant lighting. To maintain the health of plants, they also need moisture, nutrients, the right temperature, timely maintenance and other essential factors. Please keep the plant leaves at least 5 cm away from the light hood. If the plants grow too close to the light hood, please pay attention to timely pruning.



smartwares® Europe	NL: 088 5940501	Lokaal tarief
	BE: 078 481094(NL)	Lokaal tarief
Jules Verneweg 87 5015 BH Tilburg The Netherlands	BE: 078 481540(FR)	Tarif local
	FR: 0825 560 650	18ct/min
www.smartwares.eu	DE: +49 (0) 1805 010762	14Ct./Min. dt. Festnetz, Mobil max. 42Ct./Min
	UK: +44 (0) 345 230 1231	
	ES: +34 938427589	

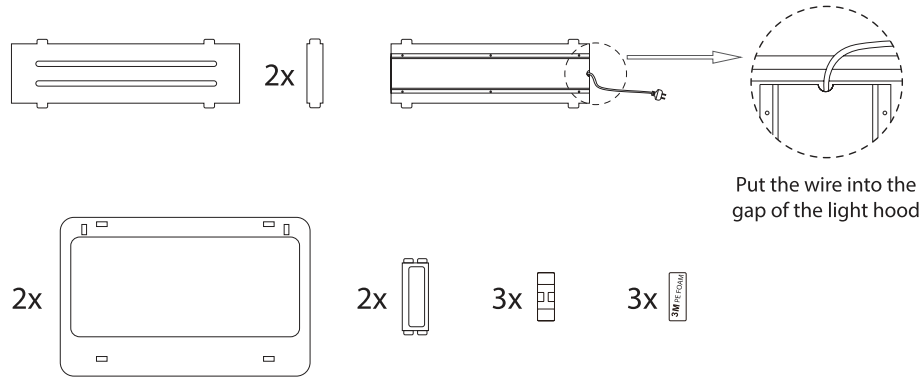
CUSTOMER SERVICE

LED grow light

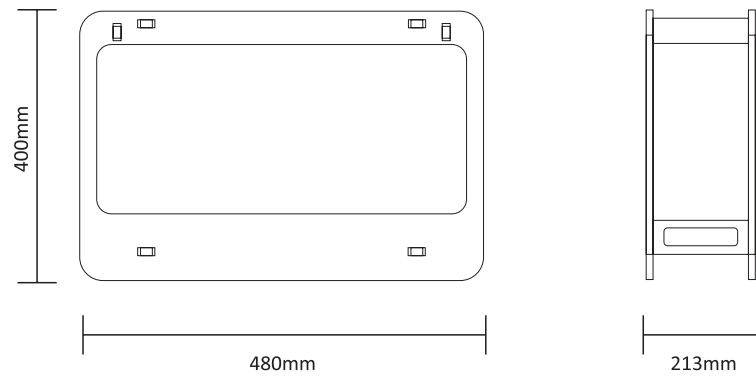
DE LED-Zuchtlicht NL LED plantenverlichting FR Lampe LED de culture
ES Luz de crecimiento LED IT Luci LED per coltivare PT Luz LED de Crescimento
SV LED-växtlampa PL Lampa LED do roślin

ISL-60025

Box content



Measurements



IP20	220-240V ~50Hz	120° BEAM ANGLE	900 LUMEN	25.000 H
14 WATT	RA>95	4000K	NON DIMMABLE	

OPERATION TEMPERATURE: -20C~40C

Irradiated area	PPFD(umol/m)
0.06m0.1m	285
0.12m0.2m	112
0.18m0.3m	58

Assembly guide

