

### 3.5 mm Stereo Phone-Jack Terminal Adapter



#### Specification

Type: 3.5mm 4-conductor, Female Jack

Dimension: 32 x 17.1 x 10.2 mm (max.)

Voltage rating: 12 V/ DC

Current rating: 0.5A max.

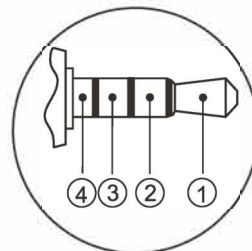
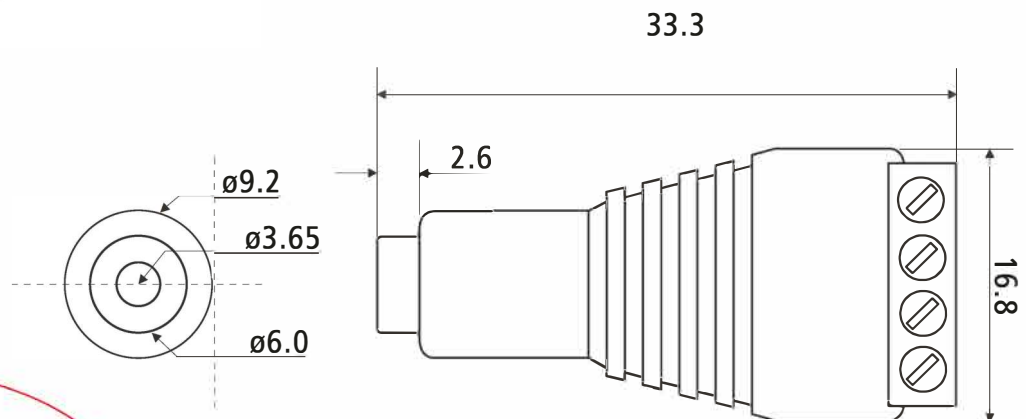
Insulation resistance: 100M $\Omega$  min.

Contact resistance: 50m $\Omega$  max.

Operating temperature: -30 ~ 80°C

Operating humidity: >85%RH

Durability: >1000 cycles



Suitable wire range:  
24 - 18 AWG  
(0.5 - 1.0 mm)

