

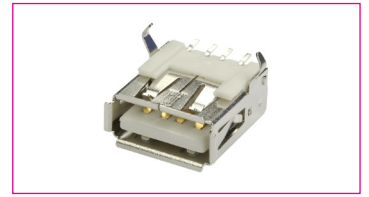
USB Connectors USB 2.0 Sockets Type A

SMT, Shell DIP



SPECIFICATION:

Operating Voltage (Max.):	250 V
Operating Current (Nom.):	1.5 A
Operating Temperature:	-55°C to 85°C
Insulation Resistance (Min.):	1000 MΩ
Contact Resistance (Max.):	30 mΩ
Dielectric Strength:	750 Vac
Insertion Force (Max.):	35 N
Extraction Force:	10 N



MATERIAL:

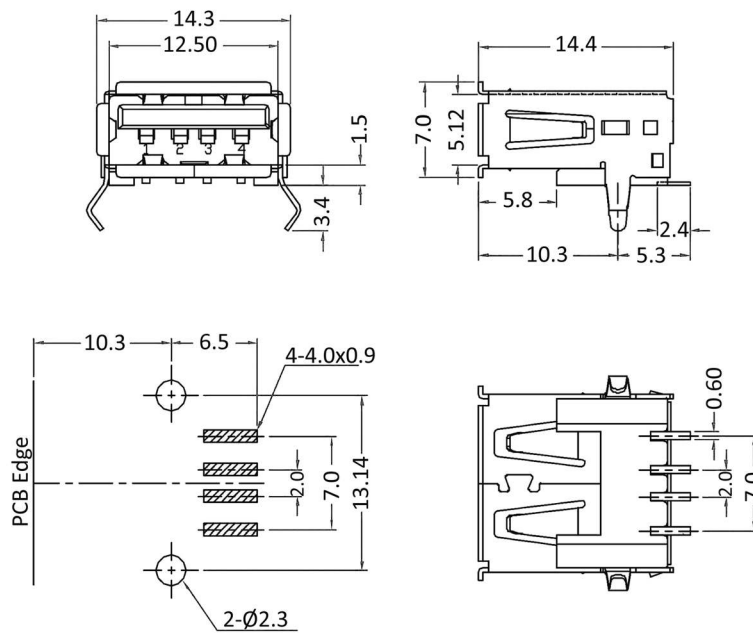
Material (Terminal):	phosphor bronze, tin plated
Material (Housing):	brass, nickel plated
Flammability Class:	UL 94 V-0
Material (Insulation):	nylon PA 9T
Material (Contact Area):	phosphor bronze, gold plated

HANDLING:

Packaging:	tray
------------	------

TOLERANCE:

.X:	± 0.25
.XX:	± 0.13



Order Information

Identifier:

UBU1ASMD

SMT Socket type A angled