

SPECIFICATION

Current Rate: 1.5 AMP
 Insulation Resistance: 500 MΩ Min.
 Contact Resistance: 40 mΩ Max.
 Dielectric Voltage: 1000 V AC
 Operation Temperature: 0 °C to +70 °C

MATERIAL

Insulator: PBT UL94V-0
 Contacts: Phosphor bronze

FINISH

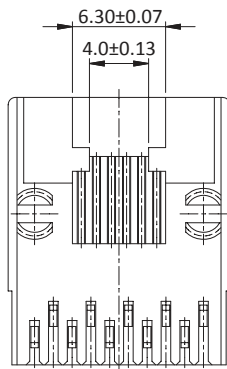
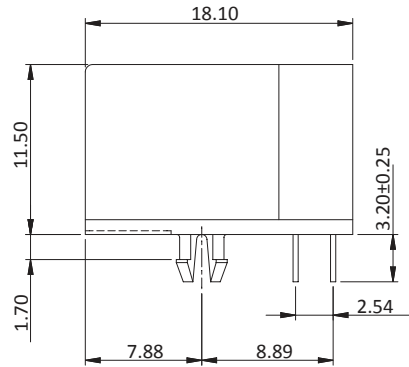
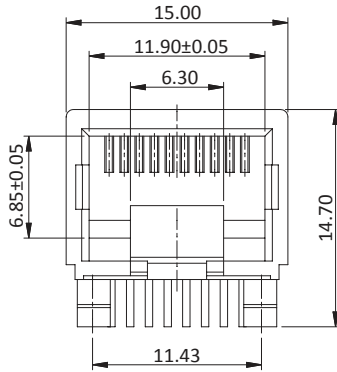
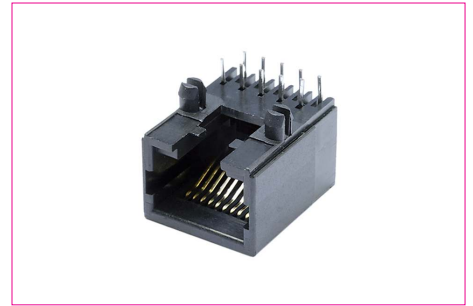
Contacts: Gold plated over nickel in contact area
 Tin plated over nickel in solder area

HANDLING

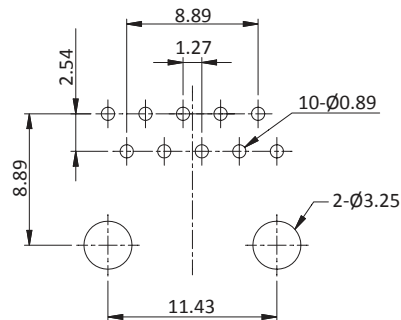
Processing: Wave soldering
 Packing: Tray

TOLERANCE

.XX ±0.25
 .X ±0.38



PCB Layout / Top View



Order Information

Series

MEB10/10PL

Contact Plating

#

Modular Jack 10P10C Side Entry,
Low Profile, unshielded

- empty : 6µ" Gold *
- B : 15µ" Gold
- C : 30µ" Gold
- D : 50µ" Gold

* = Standard