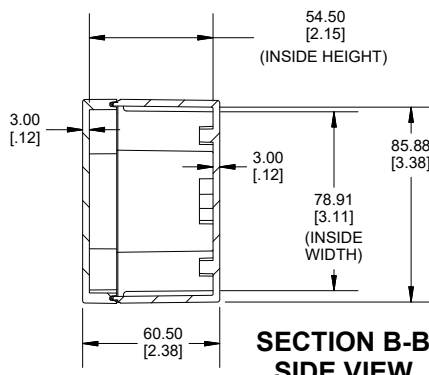
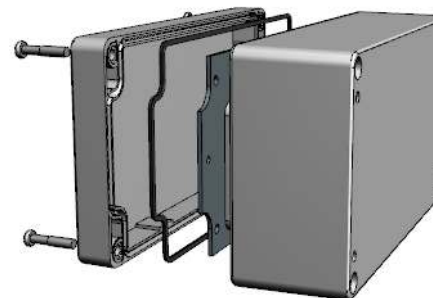


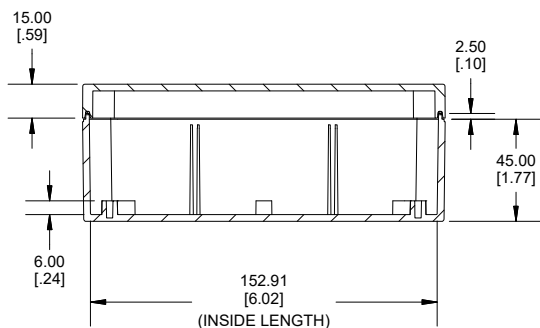
**TOP VIEW**



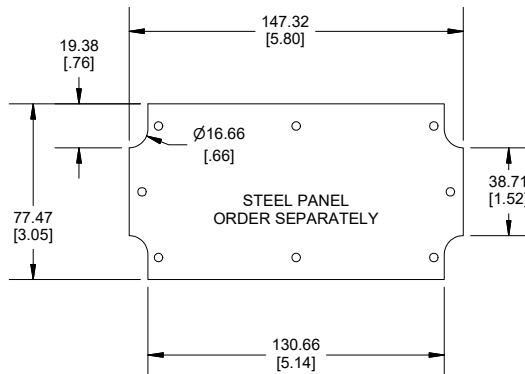
**SECTION B-B  
SIDE VIEW**



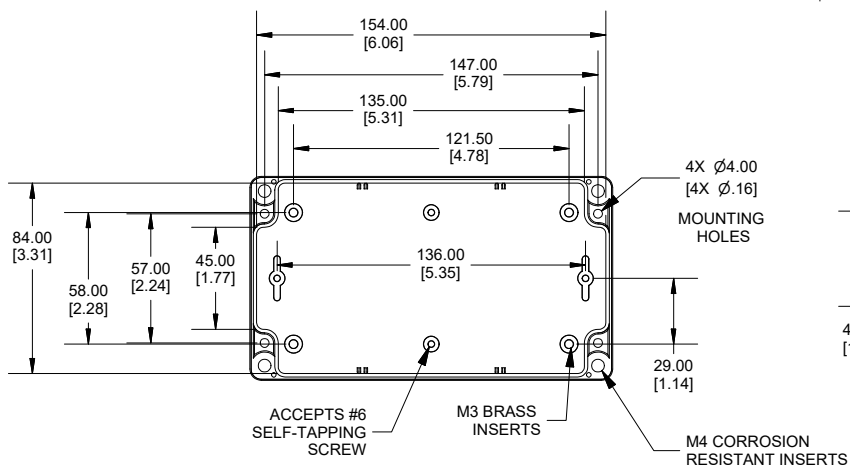
POLYCARBONATE  
VERSION ONLY  
 **UL LISTED**  
 FILE #E65324  
 TYPE 4,4X,6,6P



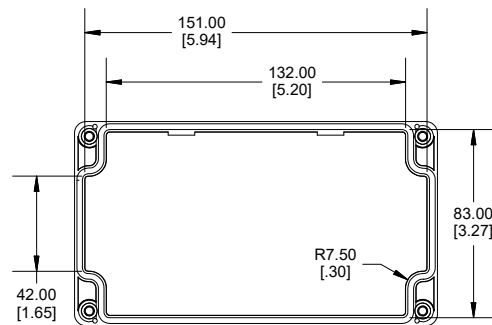
**SECTION A-A  
SIDE VIEW**



**STEEL PANEL  
ORDER SEPARATELY**



**INSIDE BOX**



**INSIDE LID**

Enclosures can be Factory Modified (Milling, Drilling, Printing etc.)  
 Contact Factory (modshop@hammfg.com) for quotes  
 Solid models of this enclosure available in .stp or .x\_t  
 (Part number and text placement/orientation on our products are subject to change,  
 we do not recommend using them as a locating reference for modification purposes)

**NOTE**  
 Purchased assembly includes box, lid, 4 cover screws, and preformed silicone gasket.  
 General Purpose ABS version is not UL approved. (Matl UL94 - HB)  
 Polycarbonate version is UL 508A approved. (Matl UL94 - 5VA @ 3mm)  
**Recommended Cover screw torque -- 43-57 ozf-in (30-40 cN-m)**

| 1554J  |             |
|--|-------------|
| <b>1554J Regular Enclosure</b>   |             |
| General Purpose ABS RAL-7035   | 1554JGY     |
| Polycarbonate RAL-7035   | 1554J2GY    |
| <b>1554J Clear / Smoke Lid Enclosure</b>   |             |
| Polycarbonate Box / Clear Polycarbonate Lid                                      | 1554J2GYCL  |
| Polycarbonate Box / Smoke Polycarbonate Lid                                      | 1554J2GYSL  |
| <b>ACCESSORIES</b>   |             |
| Steel Inner Panels   | 1554JPL     |
| Steel Panel / P.C. Board Screw [M3-0.5 x 8mm Plated] (Pkg 100)                   | 1591MM100   |
| Steel Panel / P.C. Board Self Tapping Screw [#6 X 1/4" (6.4mm) Plated] (Pkg 100) | 1598ATS100  |
| Stainless Steel Cover Screws [M4-0.7 X 20mm] (Pkg 50)                            | SC576-50    |
| Silicone Pre-formed Gasket Black (Pkg 2)   | 1554JGASKET |



**HAMMOND  
MANUFACTURING**

**1554J**

www.hammondmfg.com

Dimensions:  
mm  
[inches]