

Incredible Performance with ASUS Design!!

■ IP5X-Certified Dust Resistance

ASUS fan design is certified under the International Protection Marking (IP code) as IP5X dust resistant for improved reliability and optimal fan performance, even under severe conditions.



■ AUTO-EXTREME Technology

Industry-only 100% automated production process ensures premium quality



■ GPU Tweak II with XSplit Gamecaster

Intuitive performance tweaking and instant gameplay streaming



ASUS Features

2GB
GDDR5
Memory

- **Gigantic 2GB GDDR5 Memory:**
On-board memory for the best gaming experience & the best resolution

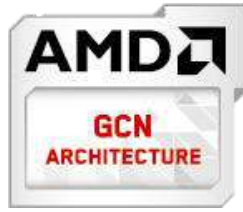
Super Alloy II
Power
2.5X Longer Lifespan

- **SUPER ALLOY POWER II:**
Premium alloys in power delivery components defeat heat for cards that run 15% faster and last 2.5 times longer than reference.

GPU Tweak II
Real-time Graphics Tuning
and Live Streaming

- **GPU TWEAK II:**
GPU Tweak helps you modify clock speeds, voltages, fan performance and more, all via an intuitive interface.

Graphics GPU Features



- **GCN Architecture :**
Get more usable processing power, enabling higher frame rates in the latest games at high resolutions and quality settings, and more everyday applications benefiting from GPU acceleration.

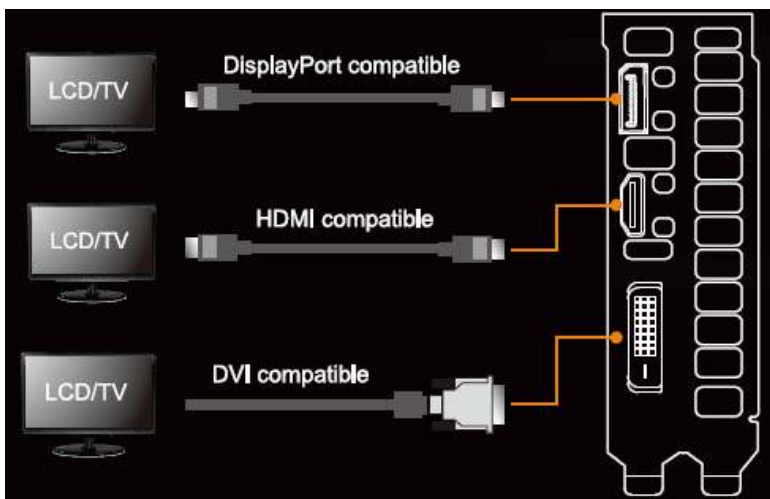


- **AMD Eyefinity Technology :**
Extend the view across up to 3 displays to immerse yourself in gameplay and entertainment.



- **AMD FreeSync Technology :**
The FreeSync™ technology in select AMD APUs and GPUs resolves the communication issues between processor and monitor, eliminating image tears and choppiness for effortlessly smooth gameplay.

I/O Specifications



Hardware Specification

Model	RX550-2G
Graphics Engine	AMD Radeon™ RX 550
OpenGL	OpenGL® 4.5
Video Memory	2GB GDDR5
Engine Clock	1183 MHz
Stream Processor	512
Memory Clock	7000 MHz (1750 MHz GDDR5)
Memory Interface	128 bit
Digital Max Resolution	5120 * 2880
DVI Output	1x Native DVI-D
HDMI Output	1x Native HDMI 2.0
HDCP compliant	YES
DisplayPort	1x Native DisplayPort 1.4
Software Bundled	ASUS GPU Tweak II & Driver
Dimension	The card size is 18.2 x 11.2 x 4.3cm The card size is 7.2x 4.4 x 1.7 inches
Note	<ul style="list-style-type: none"> To have the best cooling performance, ASUS RX550-2G extends the fansink to 2 slots. Please double check you Chassis and Motherboard dimension prior to purchase to make sure it fits in your system! Specifications are subject to change without notice. PCB color and bundled software versions are change without notice. Brand and product names mentioned are trademarks of their respective company.

