



15W Single Output Encapsulated Type

IRM-15 series



- Features :
- *Universal AC input / Full range
- *Compact size.
- *Protections: Short circuit / Overload / Over voltage
- *Cooling by free air convection
- *Isolation classII
- *No load power consumption<0.1W
- *100% full load burn-in test
- *High reliability
- *3 years warranty

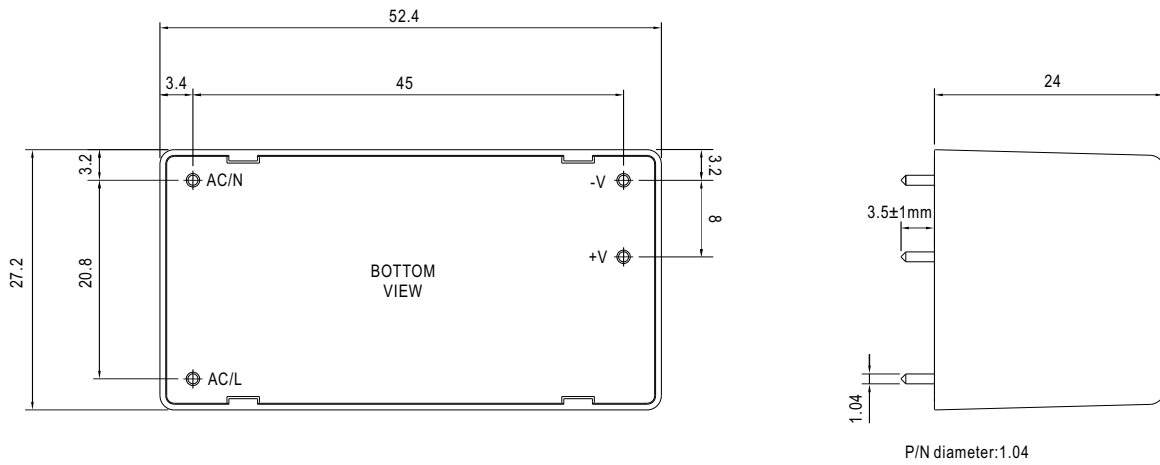


SPECIFICATION

| MODEL | IRM-15-3.3 | IRM-15-5 | IRM-15-12 | IRM-15-15 | IRM-15-24 | |
|-----------------------|--------------------------------------|---|--------------|--------------|----------------|--------------|
| OUTPUT | DC VOLTAGE | 3.3V | 5V | 12V | 15V | 24V |
| | RATED CURRENT | 3.5A | 3A | 1.25A | 1A | 0.63A |
| | CURRENT RANGE | 0 ~ 3.5A | 0 ~ 3A | 0 ~ 1.25A | 0 ~ 1A | 0 ~ 0.63A |
| | RATED POWER | 11.55W | 15W | 15W | 15W | 15.12W |
| | RIPPLE & NOISE (max.) Note.2 | 200mVp-p | 200mVp-p | 200mVp-p | 200mVp-p | 200mVp-p |
| | VOLTAGE TOLERANCE Note.3 | ±2.5% | ±2.5% | ±2.5% | ±2.5% | ±2.5% |
| | LINE REGULATION | ±0.5% | ±0.5% | ±0.3% | ±0.3% | ±0.3% |
| | LOAD REGULATION | ±1% | ±1% | ±0.5% | ±0.5% | ±0.5% |
| | SETUP, RISE TIME | 1000ms, 20ms/230VAC 1000ms, 20ms/115VAC at full load | | | | |
| HOLD UP TIME (Typ.) | 40ms/230VAC 10ms/115VAC at full load | | | | | |
| INPUT | VOLTAGE RANGE | 85 ~ 264VAC 120 ~ 370VDC | | | | |
| | FREQUENCY RANGE | 47 ~ 440Hz | | | | |
| | EFFICIENCY (Typ.) | 74% | 78% | 82% | 82% | 83% |
| | AC CURRENT (Typ.) | 0.35A/115VAC 0.2A/230VAC | | | | |
| | INRUSH CURRENT (Typ.) | COLD START 20A/115VAC 40A/230VAC | | | | |
| LEAKAGE CURRENT | < 0.25mA/240VAC | | | | | |
| PROTECTION | OVERLOAD | 115 ~ 190% rated output power Protection type : Hiccup mode, recovers automatically after fault condition is removed | | | | |
| | OVER VOLTAGE | 3.8 ~ 4.95V | 5.75 ~ 6.75V | 13.8 ~ 16.2V | 17.25 ~ 20.25V | 27.6 ~ 32.4V |
| ENVIRONMENT | WORKING TEMP. | -30 ~ +70°C (Refer to "Derating Curve") | | | | |
| | WORKING HUMIDITY | 20 ~ 90% RH non-condensing | | | | |
| | STORAGE TEMP., HUMIDITY | -40 ~ +85°C, 10 ~ 95% RH | | | | |
| | TEMP. COEFFICIENT | ±0.03%/°C (0 ~ 50°C) | | | | |
| | VIBRATION | 10 ~ 500Hz, 5G 10min./1cycle, period for 60min. each along X, Y, Z axes | | | | |
| SAFETY & EMC (Note 4) | SAFETY STANDARDS | UL60950-1, TUV EN60950-1 approved | | | | |
| | WITHSTAND VOLTAGE | I/P-O/P:3KVAC | | | | |
| | ISOLATION RESISTANCE | I/P-O/P:100M Ohms / 500VDC / 25 / 70% RH | | | | |
| | EMC EMISSION | Compliance to EN55022 (CISPR22) Class B, EN61000-3-2,-3 | | | | |
| OTHERS | EMC IMMUNITY | Compliance to EN61000-4-2,3,4,5,6,8,11, EN55024, heavy industry level(surge L-N:1KV), criteria A | | | | |
| | MTBF | 970.3Khrs min. MIL-HDBK-217F (25°C) | | | | |
| | DIMENSION | 52.4*27.2*24mm (L*W*H) | | | | |
| NOTE | PACKING | 0.059Kg/240pcs/15.2Kg/0.97CUFT | | | | |
| | | 1. All parameters NOT specially mentioned are measured at 230VAC input, rated load and 25°C of ambient temperature. 2. Ripple & noise are measured at 20MHz of bandwidth by using a 12" twisted pair-wire terminated with a 0.1uf & 47uf parallel capacitor. 3. Tolerance : includes set up tolerance, line regulation and load regulation. 4. The power supply is considered a component which will be installed into a final equipment. The final equipment must be re-confirmed that it still meets EMC directives. | | | | |

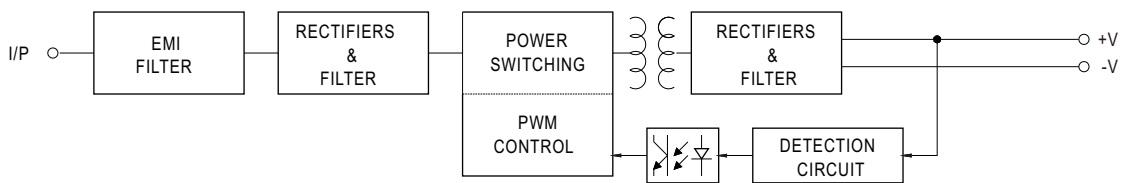
■ Mechanical Specification

Case No.219A Unit:(mm)

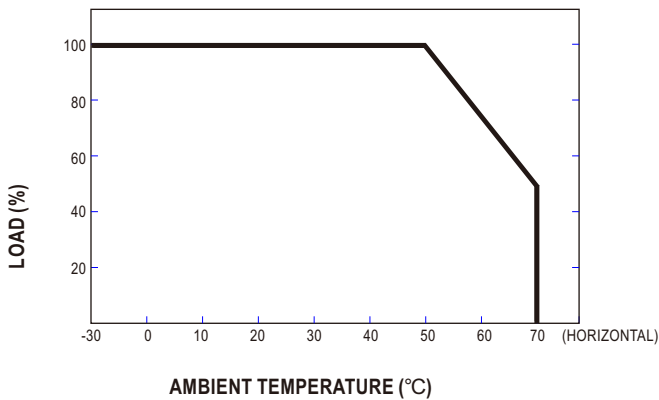


■ Block Diagram

fosc : 100KHz



■ Derating Curve



■ Output Derating VS Input Voltage

