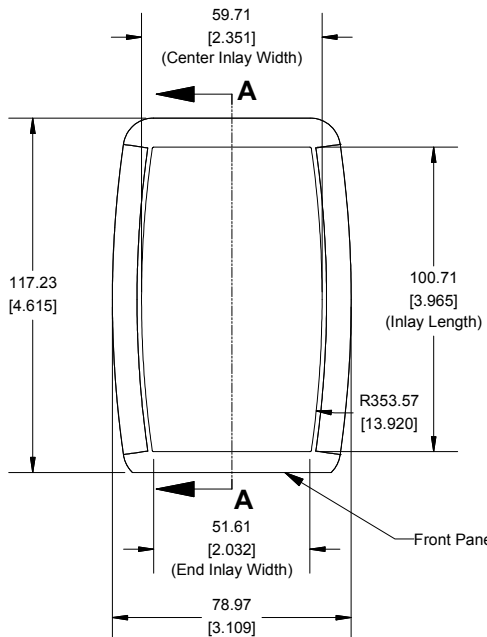
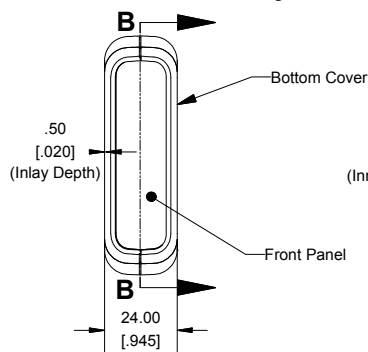


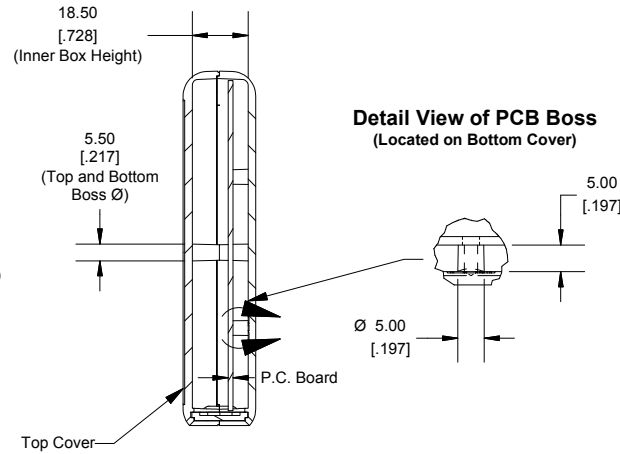
### Top View of Assembly



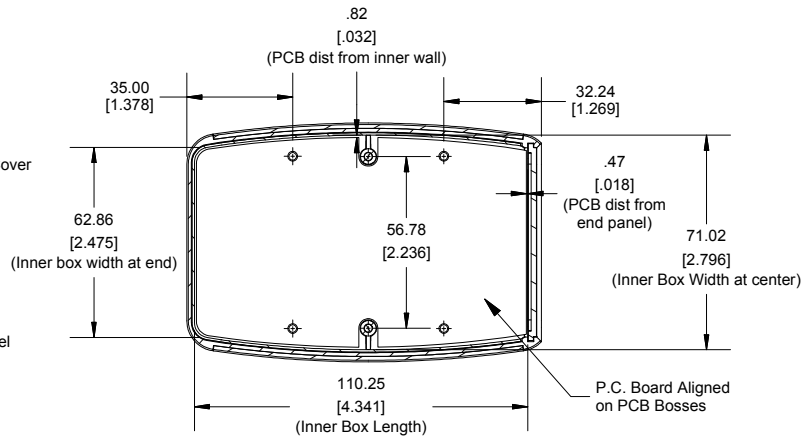
### End View of Assembly



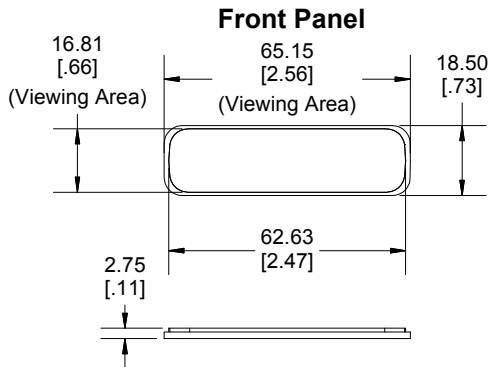
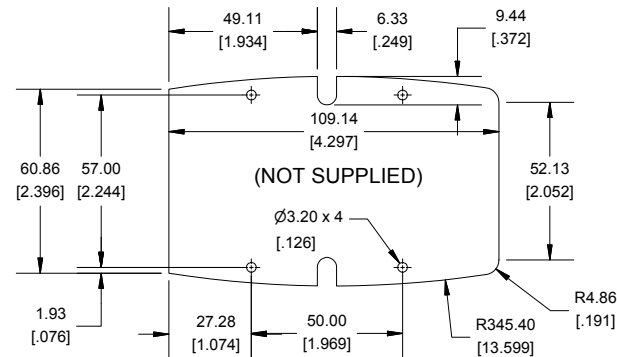
### SECTION A-A (Side View Inside Assembly)



### SECTION B-B (Inside of Bottom Cover)



### Maximum P.C. Board Size



Enclosures can be Factory Modified ( Milling, Drilling, Printing etc.)  
 Contact Factory [mjm@hammondmfg.com](mailto:mjm@hammondmfg.com) for quotes  
 Solid models of this enclosure available in STEP or IGES.  
 (Part number and text placement/orientation on our products are subject to change,  
 we do not recommend using them as a locating reference for modification purposes)

NOTE	
Enclosure molded from GP ABS Plastic.	
Purchased assembly includes Top, Bottom, front plastic panel and 2 cover screws. (P.C. Board not supplied)	
<b>Recommended Cover screw torque -- 2.5 lbf-in (30 cN-m)</b>	

PART NUMBER	
<b>1553B Regular Enclosure</b>	
Black Enclosure/Grey Over-mold	1553BBK
Grey Enclosure/Grey Over-mold	1553BGY
Translucent Blue Enclosure/ Black Over-mold	1553BTBUBK
Red Enclosure/ Black Over-mold	1553BRDBK
Yellow Enclosure/ Black Over-mold	1553BYLBK
Black Enclosure/ Black Over-mold	1553BBKBK
ACCESSORIES	
Oval Head Cover Screws Self-Tapping (Pkg 100) [#4 X 3/4" (19mm)]	1593QS100 (Silver) 1593QS100BK (Black)
P.C. Board Self Tapping Screw [#4 X 1/4" (6.4mm) Plated]	1593ATS50 (Pkg 50) 1593ATS100 (Pkg 100)
Belt or Pocket Clip	1599CLIP (Black) 1599CLIPGY (Grey)

**HAMMOND  
MANUFACTURING®**

# 1553B

[www.hammondmfg.com](http://www.hammondmfg.com)

**Dimensions:**  
mm  
[inches]