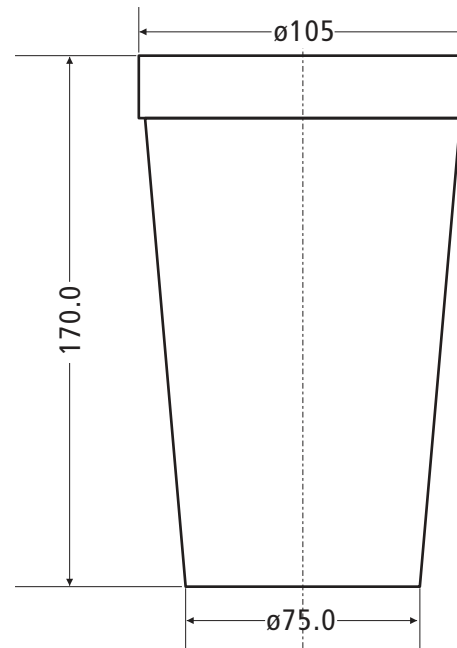


Pollin Plastic Cup



Material: Polypropylene (PP)

Color: Dark Blue

Size:

Top Diameter: $\varnothing 105$ mm

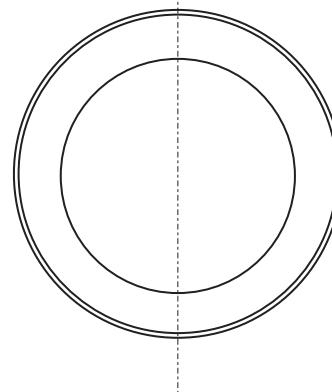
Bottom Diameter: $\varnothing 75$ mm

Total height: 170 mm

Capacity: 32oz (approx. 950ml)

Weight: approx. 45g

Temperature range: -20°C to 100°C max.



mm \pm 0.5