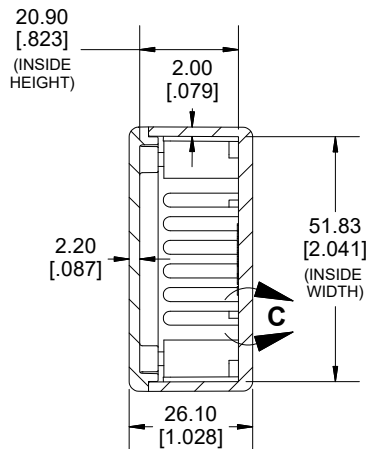
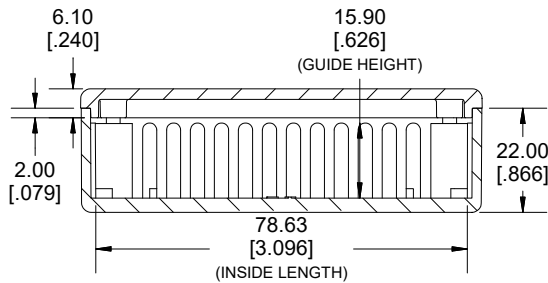
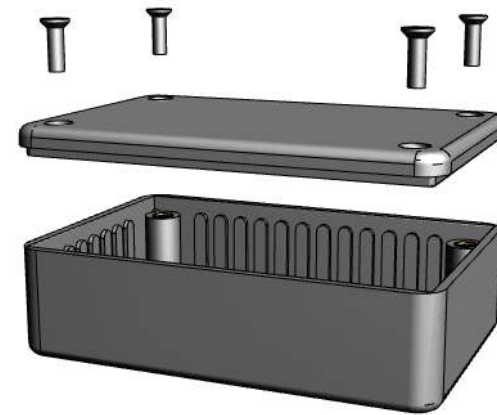


**TOP VIEW**

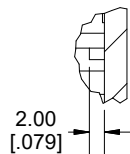


**SECTION A-A**

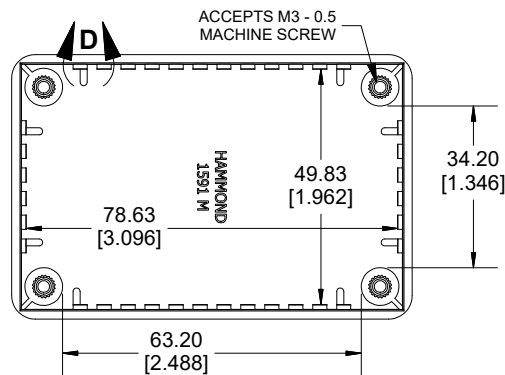
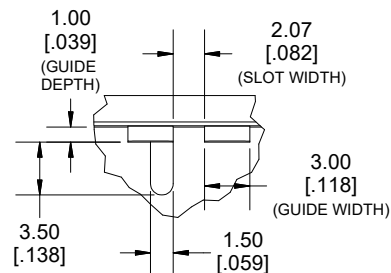


**SECTION B-B  
SIDE VIEW**

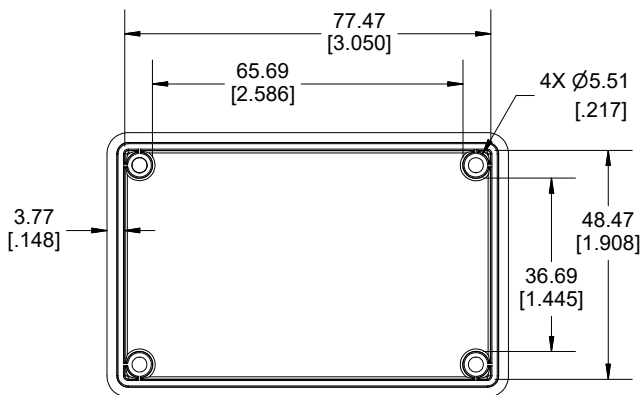
**DETAIL C**



**DETAIL D**



**INSIDE BOX**



**INSIDE LID**

Enclosures can be Factory Modified (Milling, Drilling, Printing etc.)  
 Contact Factory (modshop@hammfg.com) for quotes  
 Solid models of this enclosure available in .stp or .x\_t  
 (Part number and text placement/orientation on our products are subject to change,  
 we do not recommend using them as a locating reference for modification purposes)

<b>NOTE</b>	
Purchased assembly includes box, lid, 4 cover screws, and pre-installed brass inserts. Enclosure made from FRABS or Polycarbonate.	
<b>Recommended Torque: 42-57 ozf.in (30-40 cN.m)</b>	
<b>PART NUMBERS</b>	
<b>1591M Enclosure</b>	
Material	Colour Part Number
<b>FR ABS UL94 -V0</b>	Beige 1591MBG
	Black 1591MBK
	Blue 1591MBU
	Grey 1591MGY
<b>Accessories</b>	
Plated Cover screw	1591MS100 (Silver)
M3 - 0.5 X 10mm (100Pkg)	1591MS100BK (Black)
PC Board Card Adapters	1591Z6 (6Pkg)
	1591Z50 (50 Pkg)
	1591Z100 (100Pkg)
Nylon Belt / Pocket clip	1599CLIP (Black)
	1599CLIPGY (Grey)
Clear Lids - Flame Retardant Polycarbonate - Lid ONLY	1591MC

Dimensions:  
mm  
[inches]

**HAMMOND  
MANUFACTURING.**  
**1591M**  
www.hammondmfg.com