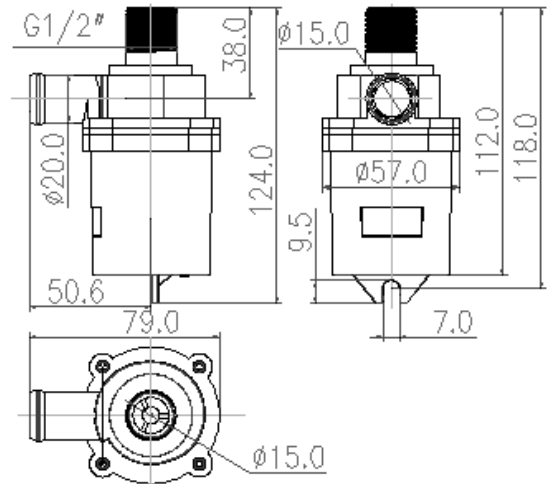


Miniatur-Wasserpumpe WP-5004



⊙ Technical Parameter								
Working Voltage Range		DC: 6V-24V						
Rating Power		6V: 10-15W/12V: 10-30W/24V: 20-60W						
Static Water Head		2-6 M						
Static Flow Rate		12-30 L/min						
Lifespan		Continuous operation under normal surrounding >20000Hr						
Working Environment		Liquid: From weak acid to weak base, workable on land (Non submergible)						
Max Noise		Under normal working status, 1M distance over test instrument <45dB						
Max Working Temperature		Under normal surroundings, fluid medium temperature ≤70°C						
Application		Pipeline edible tankers, Solar water circulation system, etc.						
Size			IP Grade	Inlet		Outlet		Remarks
Length (mm)	Width (mm)	Height (mm)		OD (mm)	ID (mm)	OD (mm)	ID (mm)	
79	57	124	IP66	G1/2" standard thread	φ15	φ20	φ15	Inlet with thread, outlet with non-slip insert

⊙ Characteristic Graph

