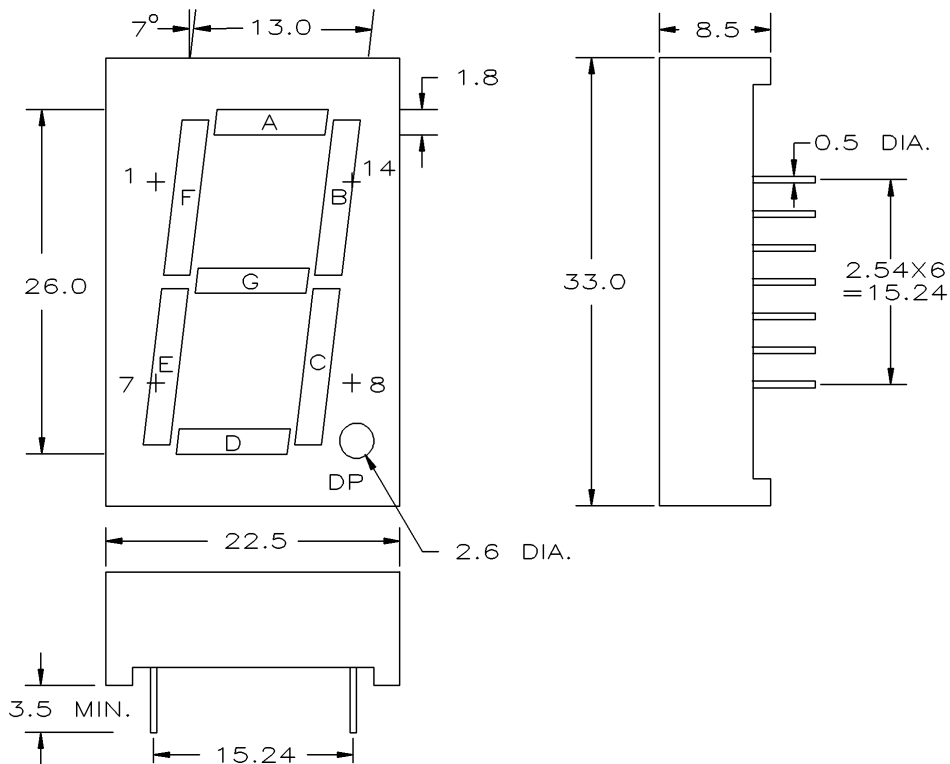


Ledtech SINGLE DIGIT DISPLAY

1.02" SINGLE DIGIT DISPLAY Electrical/Optical Characteristics at $T_A=25^\circ\text{C}$ & $I_F=20\text{mA}$

PART NUMBER	CHIP COLOR	λ_p (nm)	V_F (V)		I_V (mcd)	
			SEG.	DP.	MIN.	TYP.
COMMON ANODE (COMMON CATHODE)		TYP.	TYP.	MAX.	MIN.	TYP.
LA(C)2621-21	GREEN	572	4.2	2.1	6.2	10.4
LA(C)2631-21	YELLOW	589	4.2	2.1	5.0	8.3
LA(C)2641-21	ORANGE	630	4.2	2.1	7.0	11.7
LA(C)2641R-21	ORANGE	630	4.2	2.1	7.0	11.7
LA(C)2671-21-M1	RED	660	3.4	1.7	16.4	27.4
LA(C)2651-21	RED	700	4.2	2.1	1.6	2.7



LA26X1-21 COMMON ANODE PIN

NO.	FUNCTION
1. CATHODE	A
2. CATHODE	F
3. COMMON	ANODE
4. NO PIN	
5. NO PIN	
6. COMMON	ANODE
7. CATHODE	E
8. CATHODE	D
9. CATHODE	DP
10. CATHODE	C
11. CATHODE	G
12. NO PIN	
13. CATHODE	B
14. COMMON	ANODE

LC26X1-21 COMMON CATHODE PIN

NO.	FUNCTION
1. ANODE	A
2. ANODE	F
3. COMMON	CATHODE
4. NO PIN	
5. NO PIN	
6. COMMON	CATHODE
7. ANODE	E
8. ANODE	D
9. ANODE	DP
10. ANODE	C
11. ANODE	G
12. NO PIN	
13. ANODE	B
14. COMMON	CATHODE