

SPECIFICATION:

Operating Current (Nom.): 1 A
 Operating Temperature: -55°C to 105°C
 Insulation Resistance (Min.): 1000 MΩ
 Contact Resistance (Max.): 15 mΩ
 Dielectric Strength: 500 Vac

MATERIAL:

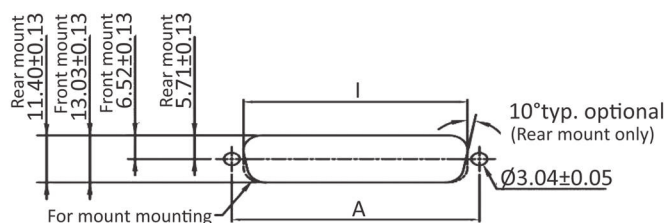
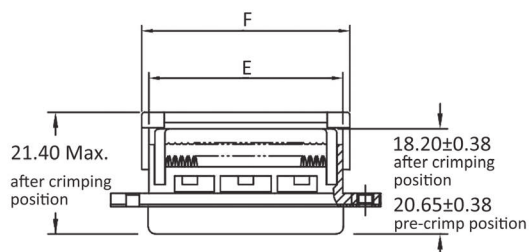
Material (Housing): steel, tin plated
 Flammability Class: UL 94 V-0
 Material (Insulation): PBT
 Material (Contact Area): brass, gold plated

HANDLING:

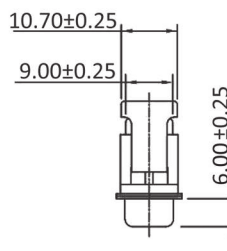
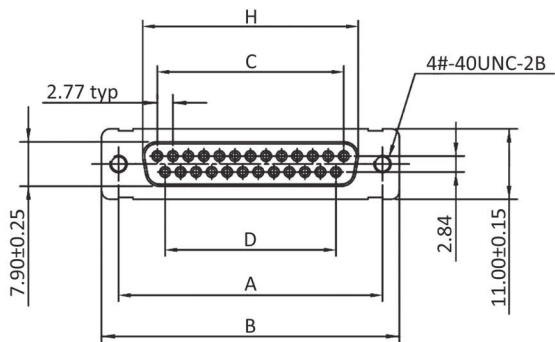
Terminal: IDC
 Packaging: tray

TOLERANCE:

.X: ± 0.38
 .XX: ± 0.25



Recommended panel cutout dimensions



Dimensions

| Number of Contacts: | A: | B: | C: | D: | E: | F: | H: | I Frontseite: | I Rückseite: |
|---------------------|-------|-------|-------|-------|-------|------|-------|---------------|--------------|
| 9 | 24.99 | 30.8 | 11.08 | 8.31 | 16.1 | 18.6 | 16.33 | 22.2 | 20.47 |
| 15 | 33.32 | 39.1 | 19.39 | 16.62 | 24 | 26.5 | 24.66 | 30.53 | 28.8 |
| 25 | 47.04 | 53.09 | 33.24 | 30.47 | 38.14 | 40.9 | 38.38 | 44.27 | 42.52 |
| 37 | 63.5 | 69.4 | 49.86 | 47.09 | 54.6 | 57.1 | 54.84 | 60.73 | 59.09 |

Order Information

| Identifier: | No. of Contacts: | Contact Plating: | Shell: | / | Mounting: | Insulator Colour: |
|------------------|--|--------------------------|--|----------|----------------|-------------------|
| BU | # | S | K | / | FG | |
| D-Sub Female IDC | 9: 9 poles 15: 15 poles 25: 25 poles 37: 37 poles | S: selective gold plated | metal shell with plastic strain relief | | thread UNC4-40 | black |