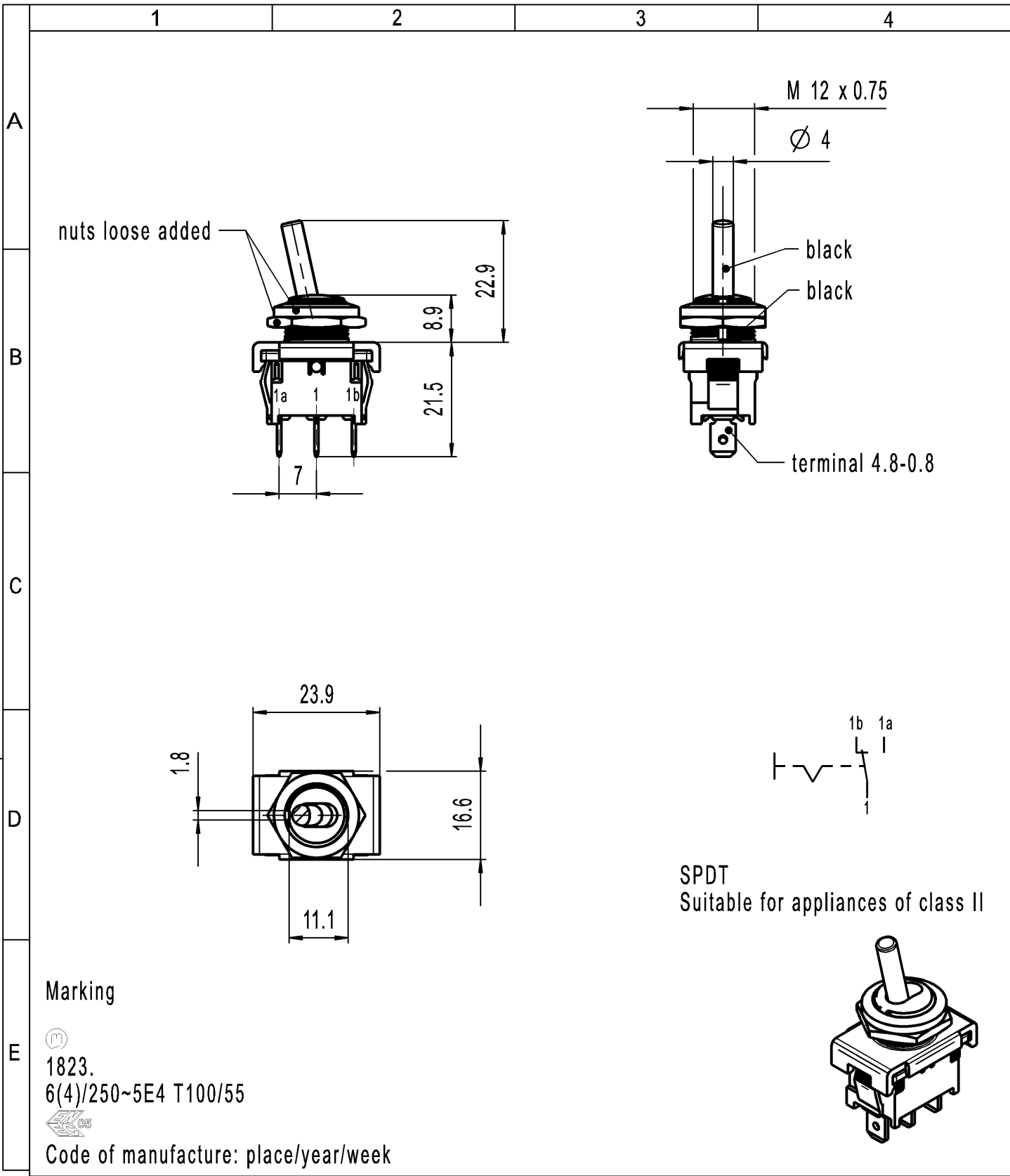


CONFIDENTIAL

VERTRAULICH

Alle Rechte bei Marquardt, auch fuer den Fall von Schutzrechtsanmeldungen. Jede Veruegungsbefugnis, wie Kopier- und Weitergaberecht, bei uns.

THIS DRAWING IS THE EXCLUSIVE PROPERTY OF MARQUARDT. WITHOUT THEIR CONSENT IT MAY NOT BE REPRODUCED OR GIVEN TO THIRD PARTIES.



-		-		-		1823.1101-XX			
Figure		Type		Customer No.		Art.No.-PI			
General tolerances				Sheet 01			Ident. K		
All dimensions are in millimetres	Shape and location	Angle $\pm 2^\circ$	Edge tolerance	Length	Radii	Format DIN A4	Projection		
				0-6	± 0.2			\pm	Scale 1:1
				>6-15	± 0.4			\pm	
				>15-30	± 0.4			\pm	
				>30-70	\pm			\pm	
>70-120	\pm	\pm							
>120	\pm	\pm							
f	131663	2020-08-25	THAKARES			System NX V11.0			
e	64505	2010-05-27	MUT			Replacement of Zg.gl.Nr.v.04.08.2000			
d	56042	2008-01-16	VOR						
c	43241	2005-06-17	mut						
Index	MEC-No.	Date (YYYY-MM-DD)	Edited by			MARQUARDT			

Document number 18231101

Index f

Appliance Switch

MARQUARDT