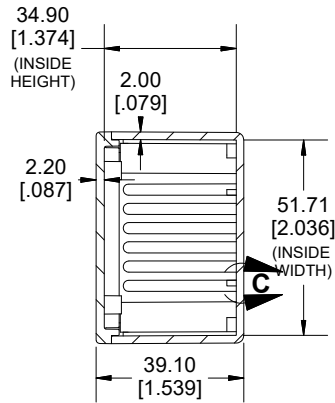
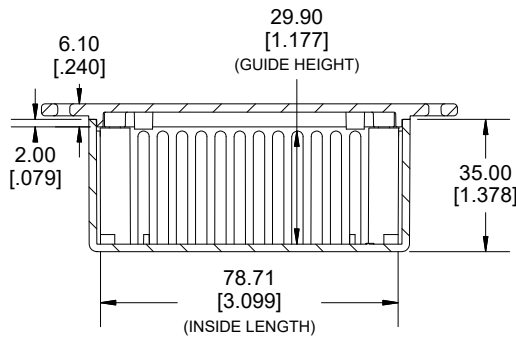
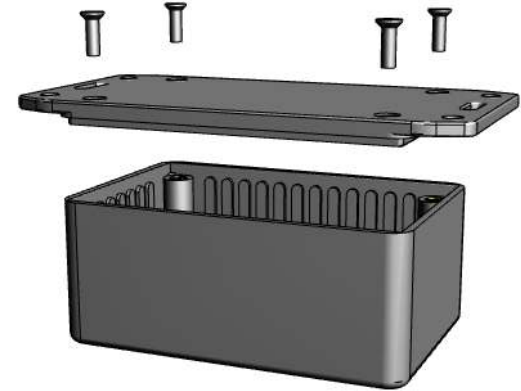


TOP VIEW

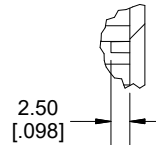


SECTION A-A

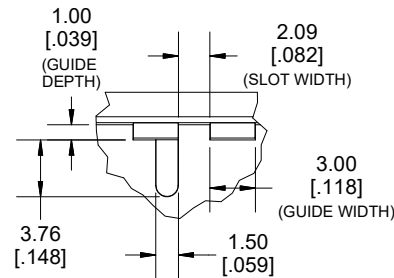


SECTION B-B  
SIDE VIEW

DETAIL C



DETAIL D



Enclosures can be Factory Modified (Milling, Drilling, Printing etc.)  
 Contact Factory (modshop@hammfg.com) for quotes  
 Solid models available in .stp or .x\_t  
 (Part number and text placement/orientation on our products are subject to change,  
 we do not recommend using them as a locating reference for modification purposes)

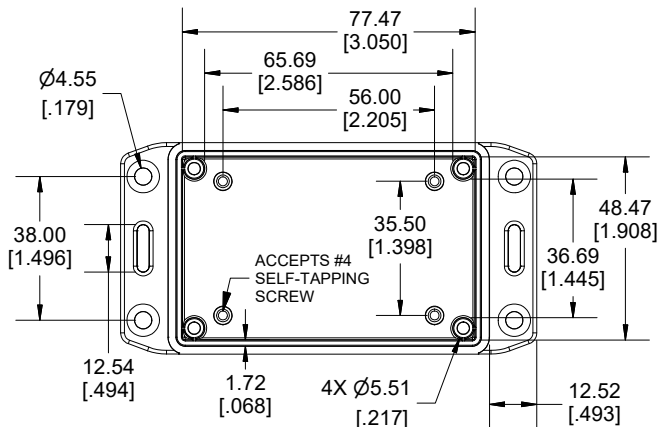
**NOTE**

Purchased assembly includes box, lid, 4 cover screws, and pre-installed brass inserts.  
 Enclosure made from FRABS

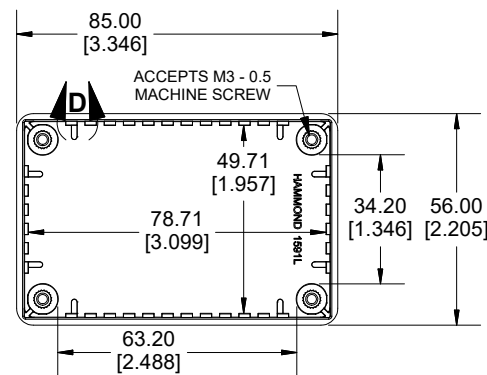
**Recommended Torque: 42-57 ozf.in (30-40 cN.m)**

**PART NUMBERS**

1591L Enclosure	
Flame Retardant ABS Black	1591LFLBK
Flame Retardant ABS Grey	1591LFLGY
Accessories	
Plated Cover screw	1591MS100 (Silver)
M3 - 0.5 X 10mm (100Pkg)	1591MS100BK (Black)
P.C Board screws for Lid	1593ATS50 (50Pkg)
#4 X 1/4" (6.4mm) Self-Tapping	1593ATS100 (100Pkg)
PC Board Card Adapters	1591Z6 (6Pkg)
	1591Z50 (50 Pkg)
	1591Z100 (100Pkg)
Nylon Belt / Pocket clip	1599CLIP (Black)
	1599CLIPGY (Grey)

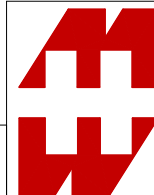


INSIDE LID



INSIDE BOX

Dimensions:  
 mm  
 [inches]



**HAMMOND  
 MANUFACTURING.**

**1591LFL**

www.hammondmfg.com