

170pcs Standard 3 mm White color LED assortment with LED mount Item No.: 18010013

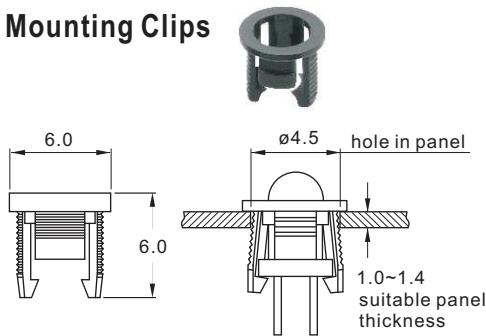
This range of experiments and practitioners from warm white to cold white standard LEDs with a diameter of 3 mm.

Through resistor combinations of parallel or series connection or varying the supply voltage, different operating currents (brightnesses) can be realized. Addition LED mounting clips for easy mount and installation onto casing or panel.

A brief description of the components contained is clearly printed on the inside of the lid.

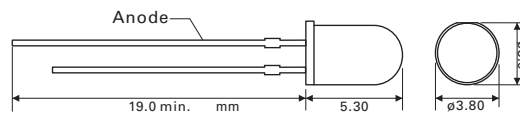


LED Mounting Clips



Material: PA66, 94V-2
Color: Black
Operating Temperature: -10~75°C

ø 3 mm LED Diode



| Light Source | Warm White | Natural White | Cold White |
|--------------------------------|-------------|---------------|-------------|
| Lens color | Water clear | Water clear | Water clear |
| Chip material | InGaAlP | InGaAlP | InGaAlP |
| Wavelength / color temperature | 2500-2700K | 4000-4500K | 6000-6500K |
| Max. Luminous intensity | 9000 mcd | 9000 mcd | 8000 mcd |
| Viewing angle (typ.) | 25° | 25° | 30° |
| Forward current (max.) | 20 mA | 20 mA | 20 mA |
| Forward voltage (typ.) | 3.0 V | 3.0 V | 3.0 V |
| Operating temperature | | -25°C - 80°C | |
| Storage temperature | | -30°C - 100°C | |