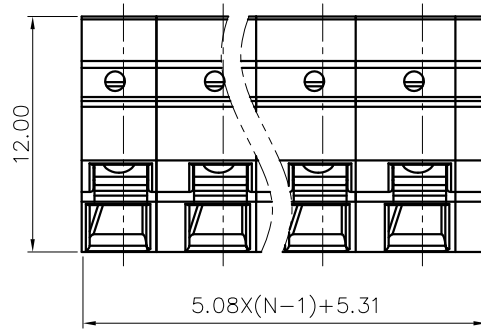


REVISION RECORD

REV	ECN	DESCRIPTION	DRFT	DATE
-----	-----	-------------	------	------



NOTES1:

UL Standard

- 1.Rated voltage/current : 300V / 10A
- 2.Withstanding voltage : AC1600V/1Min.
- 3.Wire range : 26~16AWG

IEC Standard

1.

Pollution Degree	2	2	3
Overvoltage Category	II	III	III
Rate Impulse Voltage(KV)	4.0KV	4.0KV	4.0KV
Rate Voltage(V)	630V	320V	250V
Rate Current(A)	9A		

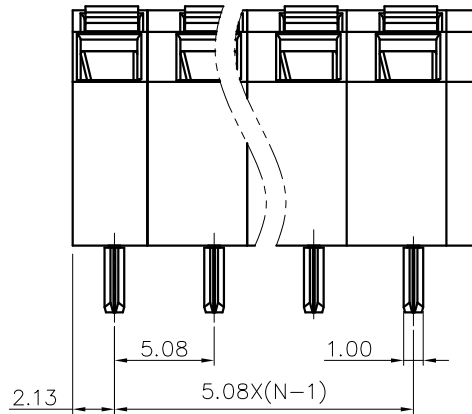
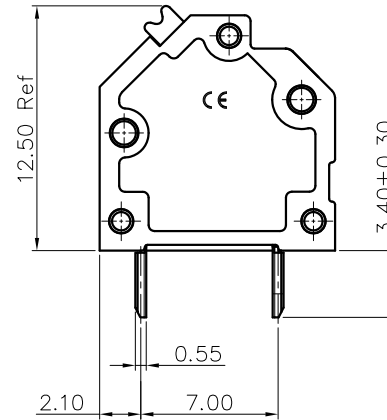
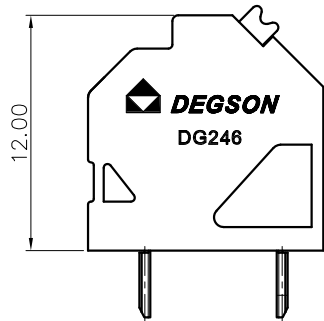
2.Wire range : 0.2~1.5mm<sup>2</sup>

NOTES2:

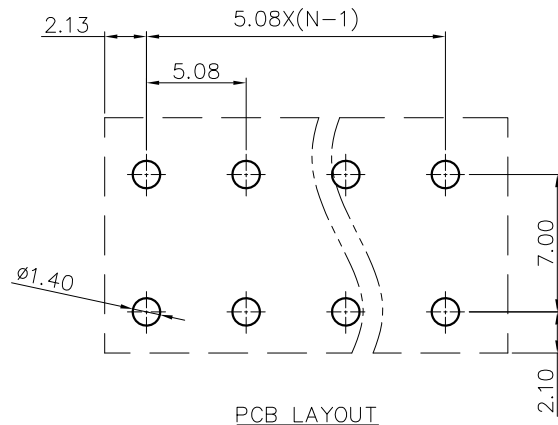
- 1.Dimension shall be interpreted per ASME Y14.5-2009
- 2.Pitch : 5.08mm, Poles : N=02~XXP
- 3.Stripping length : 10mm
- 4.Operating temperature: -40°C~+105°C
- 5.Undimensioned tolerances:

Pitch range in mm		Nominal dimension range in mm						
TO	Over	TO	Over	TO	Over	TO	Over	
6	10	6	10	30	60	100	150	
6	10	24	30	60	100	150	150	
±0.15		±0.20	±0.30	±0.30	±0.50	±0.70	±1.00	±1.30
						0.1/10		
						<		
						±2'		

6.RoHS Compliance



DG246 - 5.08 - XXP - 1Y - 00A (H)  
 (Series No.) (Pitch) (Poles) (Single Pitch) (Color):1.(Grey)  
 2.(Blue)  
 3.(Black)  
 4.(Green)  
 5.(Orange)  
 6.(Red)  
 7.(Transparent)  
 8.(Yellow)  
 9.(White)



DETACHED LISTS	PART NO.:	宁波高松电子有限公司 NINGBO DEGSON ELECTRICAL CO., LTD			
	APPD:	NAME: DG246-5.08-XXP-1Y-00A(H)			
	CHKD:	TITLE: CUSTOMER DRAWING			
	DRFT:	DRAWING NO.:		REV	DO
THIRD ANGLE PROJECTION		DO NOT SCALE DRAWING		SHEET	1/1
		MM (INCH)		SCALE	1:1