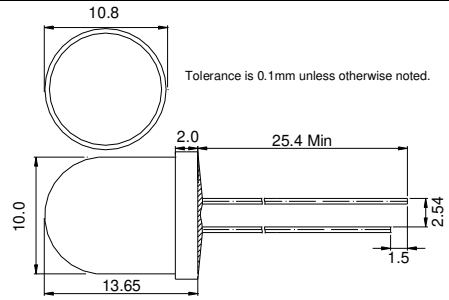


## Product Specification

### Device Part No:HUWH-9101L

#### Features:

- Lighting color: White
- Lens Type: Water Clear
- Device Outline:  $\Phi 10\text{mm}$  Round Type



#### Absolute Maximum Ratings

(Ta = 25°C)

Series	Symbol	Testing Condition	Characteristics		Unit
			Max.	Min.	
Power Dissipation	Pd	---	100	---	mW
Reverse Voltage	VR	IR = 30 $\mu$ A	---	7	V
Peak Forward Current	Ipeak	Duty=0.1, 1kHz	100	---	mA
Derating Linear	I/C	---	0.4	---	mA/°C
Operating Temperature Range	Topr	---	+80	-25	°C
Storage Temperature Range	Tstr	---	+100	-40	°C
Lead Soldering Temperature	Tsol	260°C for 5sec. (3.0mm from resin)			
Anti-static Voltage	1000				V

#### Electro-Optical Characteristics

(Ta = 25°C)

Series	Symbol	Testing Condition	Characteristics			Unit
			Max.	Typ.	Min.	
Forward Voltage	VF	IF = 20mA		3.4		V
Reverse Current	IR	VR = 7V	30	—	—	$\mu$ A
Peak Emission Wavelength	$\lambda p$	IF = 20mA	—	—	—	nm
Spectrum Width of Half Value	$\Delta \lambda$	IF = 20mA	—	20	—	nm
Luminous Intensity Angle	2 $\phi$ 1/2	IF = 20mA	—	18	—	°
Luminous Intensity	IV	IF = 20mA		18000		mcd