



## E-CORE GX53

This LED MODULE is compact and offers a great light output. Use this module with GX53-1 socket in your creations and get an economical and sustainable light source.

### Application:

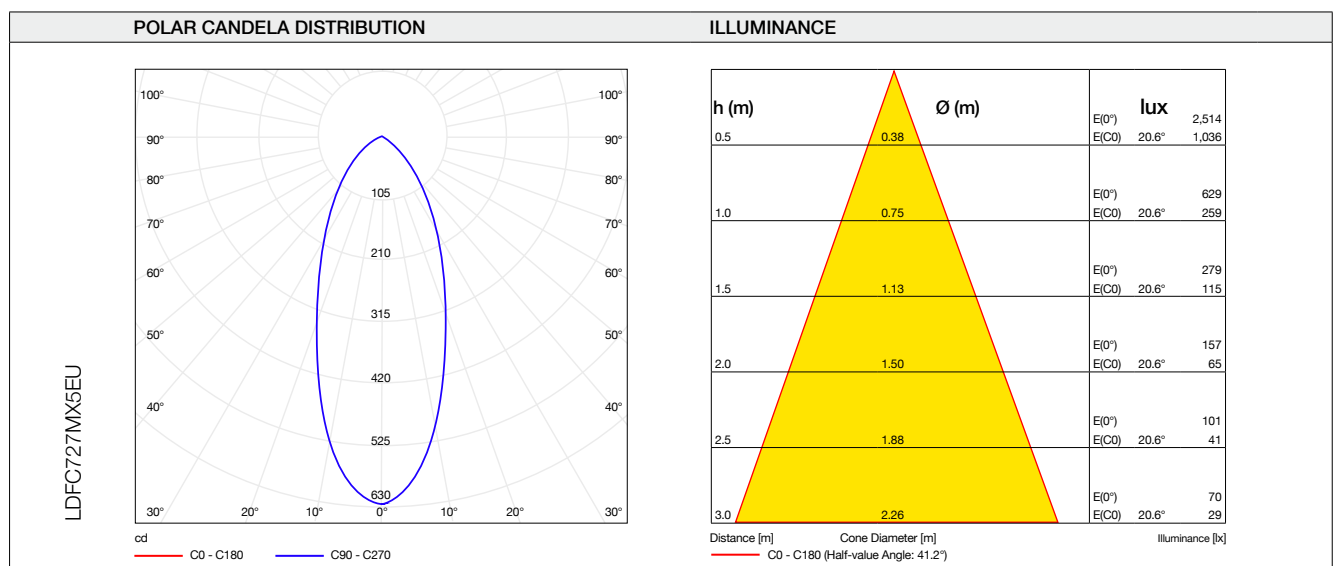
- + Residential lighting
- + Retail lighting
- + Hospitality lighting

## Product details

- ⊕ Low energy and high efficacy
  - ⊕ Compact form
  - ⊕ Instant light
  - ⊕ Life time 25,000 hours
- ⊕ Low heat radiation
  - ⊕ Low UV/IR radiation
  - ⊕ Ideal for a wide range of applications

## Optical parameters

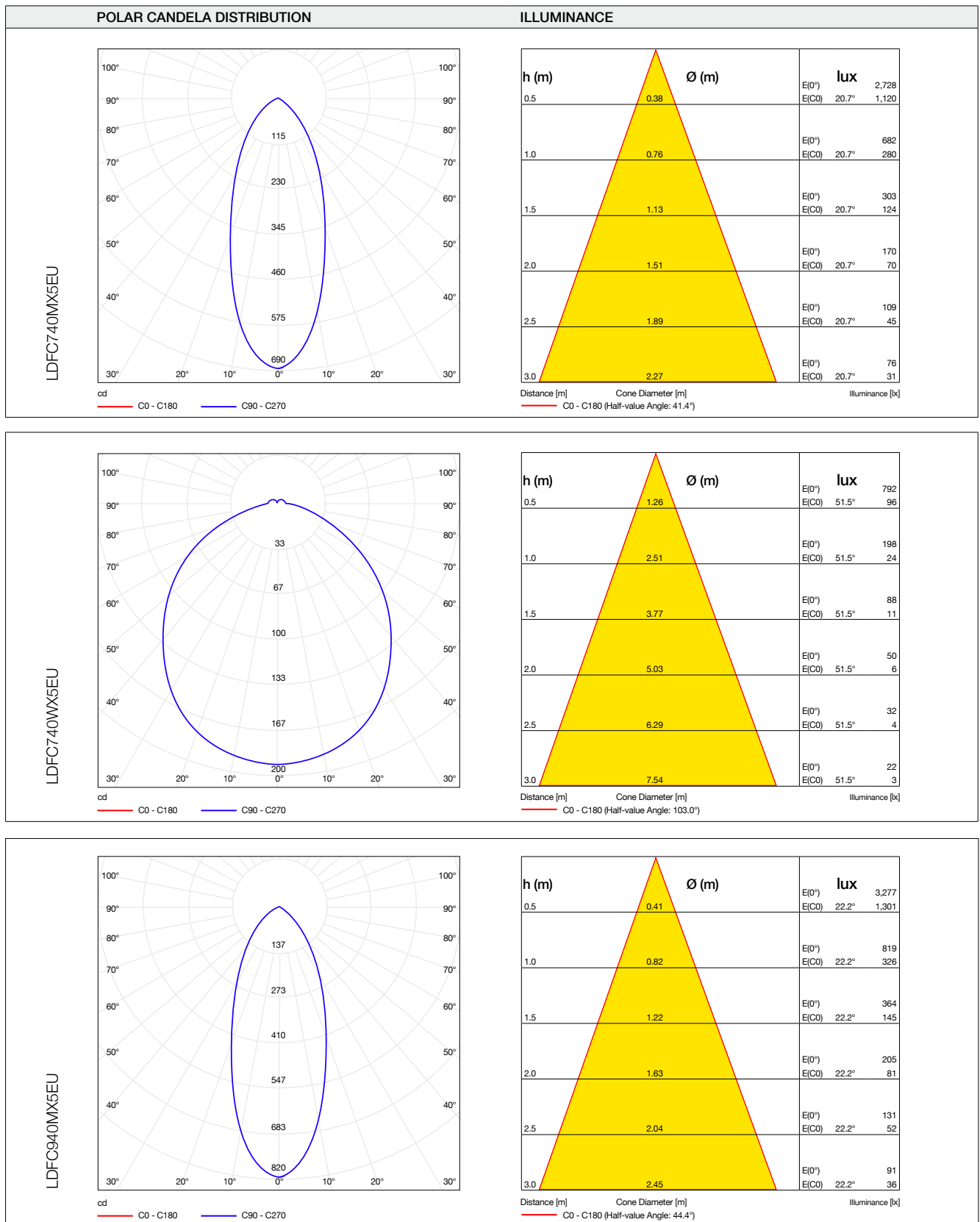
MODEL NAME	E-CORE GX53			
Product code	LDFC727MX5EU	LDFC727WX5EU	LDFC927MX5EU	LDFC927WX5EU
Luminous flux (lm)	510	510	700	700
Colour description	Warm white	Warm white	Warm white	Warm white
Colour temperature (K)	<b>2700</b>	<b>2700</b>	<b>2700</b>	<b>2700</b>
Colour rendering index (Ra)	>80	>80	>80	>80
Beam angle	40°	100°	40°	100°
Lamp efficacy (lm/W)	73.9	73.9	78.7	78.7
Product code	LDFC740MX5EU	LDFC740WX5EU	LDFC940MX5EU	LDFC940WX5EU
Luminous flux (lm)	550	550	750	750
Colour description	Neutral white	Neutral white	Neutral white	Neutral white
Colour temperature (K)	<b>4000</b>	<b>4000</b>	<b>4000</b>	<b>4000</b>
Colour rendering index (Ra)	>80	>80	>80	>80
Beam angle	40°	100°	40°	100°
Lamp efficacy (lm/W)	79.7	79.7	84.3	84.3



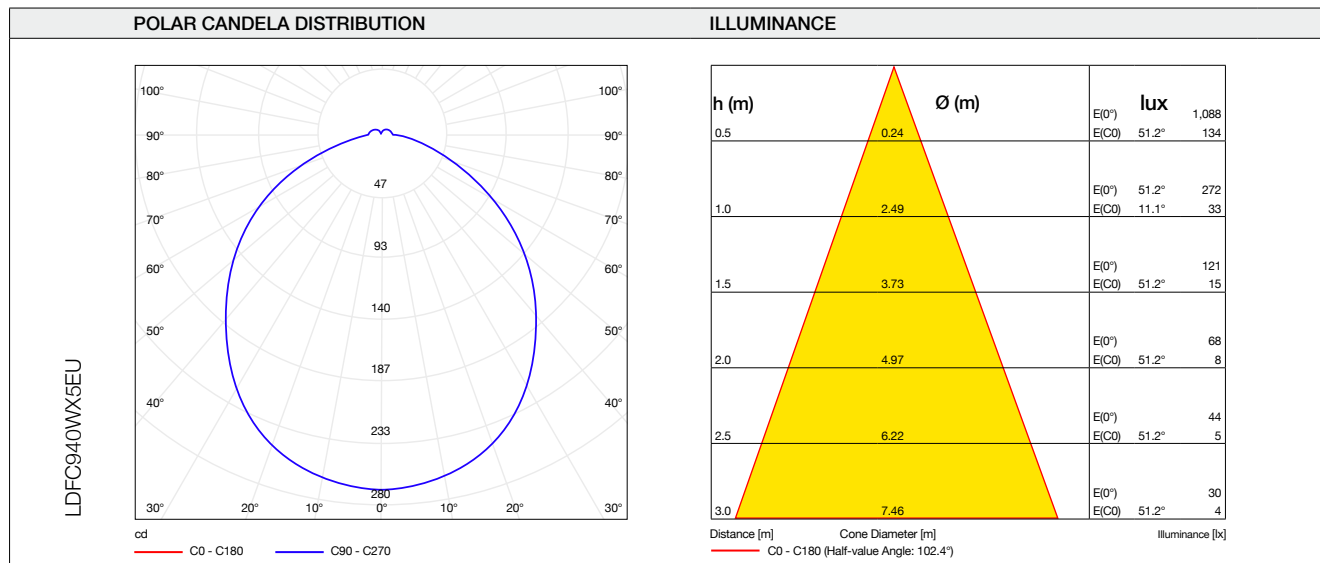
# Optical parameters

POLAR CANDELA DISTRIBUTION		ILLUMINANCE																						
LDFC727WX5EU			<table border="1"> <thead> <tr> <th>h (m)</th> <th>Ø (m)</th> <th>lux</th> </tr> </thead> <tbody> <tr> <td>0.5</td> <td>1.26</td> <td>E(0°) 733 E(C0) 88</td> </tr> <tr> <td>1.0</td> <td>2.52</td> <td>E(0°) 183 E(C0) 22</td> </tr> <tr> <td>1.5</td> <td>3.79</td> <td>E(0°) 81 E(C0) 10</td> </tr> <tr> <td>2.0</td> <td>5.05</td> <td>E(0°) 46 E(C0) 5</td> </tr> <tr> <td>2.5</td> <td>6.31</td> <td>E(0°) 29 E(C0) 4</td> </tr> <tr> <td>3.0</td> <td>7.57</td> <td>E(0°) 20 E(C0) 2</td> </tr> </tbody> </table>	h (m)	Ø (m)	lux	0.5	1.26	E(0°) 733 E(C0) 88	1.0	2.52	E(0°) 183 E(C0) 22	1.5	3.79	E(0°) 81 E(C0) 10	2.0	5.05	E(0°) 46 E(C0) 5	2.5	6.31	E(0°) 29 E(C0) 4	3.0	7.57	E(0°) 20 E(C0) 2
	h (m)	Ø (m)	lux																					
0.5	1.26	E(0°) 733 E(C0) 88																						
1.0	2.52	E(0°) 183 E(C0) 22																						
1.5	3.79	E(0°) 81 E(C0) 10																						
2.0	5.05	E(0°) 46 E(C0) 5																						
2.5	6.31	E(0°) 29 E(C0) 4																						
3.0	7.57	E(0°) 20 E(C0) 2																						
<p>cd</p> <p>— C0 - C180    — C90 - C270</p>	<p>Distance [m]    Cone Diameter [m]</p> <p>— C0 - C180 (Half-value Angle: 103.2°)</p>																							
LDFC927MX5EU			<table border="1"> <thead> <tr> <th>h (m)</th> <th>Ø (m)</th> <th>lux</th> </tr> </thead> <tbody> <tr> <td>0.5</td> <td>0.41</td> <td>E(0°) 3,055 E(C0) 1,216</td> </tr> <tr> <td>1.0</td> <td>0.82</td> <td>E(0°) 764 E(C0) 304</td> </tr> <tr> <td>1.5</td> <td>1.22</td> <td>E(0°) 339 E(C0) 135</td> </tr> <tr> <td>2.0</td> <td>1.63</td> <td>E(0°) 191 E(C0) 76</td> </tr> <tr> <td>2.5</td> <td>2.04</td> <td>E(0°) 122 E(C0) 49</td> </tr> <tr> <td>3.0</td> <td>2.45</td> <td>E(0°) 85 E(C0) 34</td> </tr> </tbody> </table>	h (m)	Ø (m)	lux	0.5	0.41	E(0°) 3,055 E(C0) 1,216	1.0	0.82	E(0°) 764 E(C0) 304	1.5	1.22	E(0°) 339 E(C0) 135	2.0	1.63	E(0°) 191 E(C0) 76	2.5	2.04	E(0°) 122 E(C0) 49	3.0	2.45	E(0°) 85 E(C0) 34
	h (m)	Ø (m)	lux																					
0.5	0.41	E(0°) 3,055 E(C0) 1,216																						
1.0	0.82	E(0°) 764 E(C0) 304																						
1.5	1.22	E(0°) 339 E(C0) 135																						
2.0	1.63	E(0°) 191 E(C0) 76																						
2.5	2.04	E(0°) 122 E(C0) 49																						
3.0	2.45	E(0°) 85 E(C0) 34																						
<p>cd</p> <p>— C0 - C180    — C90 - C270</p>	<p>Distance [m]    Cone Diameter [m]</p> <p>— C0 - C180 (Half-value Angle: 44.4°)</p>																							
LDFC927WX5EU			<table border="1"> <thead> <tr> <th>h (m)</th> <th>Ø (m)</th> <th>lux</th> </tr> </thead> <tbody> <tr> <td>0.5</td> <td>1.25</td> <td>E(0°) 1,011 E(C0) 123</td> </tr> <tr> <td>1.0</td> <td>2.51</td> <td>E(0°) 253 E(C0) 31</td> </tr> <tr> <td>1.5</td> <td>3.76</td> <td>E(0°) 112 E(C0) 14</td> </tr> <tr> <td>2.0</td> <td>5.01</td> <td>E(0°) 63 E(C0) 8</td> </tr> <tr> <td>2.5</td> <td>6.26</td> <td>E(0°) 40 E(C0) 5</td> </tr> <tr> <td>3.0</td> <td>7.52</td> <td>E(0°) 28 E(C0) 3</td> </tr> </tbody> </table>	h (m)	Ø (m)	lux	0.5	1.25	E(0°) 1,011 E(C0) 123	1.0	2.51	E(0°) 253 E(C0) 31	1.5	3.76	E(0°) 112 E(C0) 14	2.0	5.01	E(0°) 63 E(C0) 8	2.5	6.26	E(0°) 40 E(C0) 5	3.0	7.52	E(0°) 28 E(C0) 3
	h (m)	Ø (m)	lux																					
0.5	1.25	E(0°) 1,011 E(C0) 123																						
1.0	2.51	E(0°) 253 E(C0) 31																						
1.5	3.76	E(0°) 112 E(C0) 14																						
2.0	5.01	E(0°) 63 E(C0) 8																						
2.5	6.26	E(0°) 40 E(C0) 5																						
3.0	7.52	E(0°) 28 E(C0) 3																						
<p>cd</p> <p>— C0 - C180    — C90 - C270</p>	<p>Distance [m]    Cone Diameter [m]</p> <p>— C0 - C180 (Half-value Angle: 102.8°)</p>																							

## Optical parameters



## Optical parameters



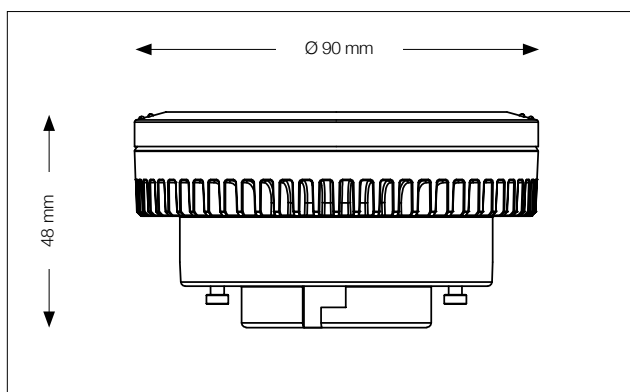
## Electrical parameters

MODEL NAME	E-CORE GX53			
Product code	LDFC727MX5EU	LDFC727WX5EU	LDFC927MX5EU	LDFC927WX5EU
Rated voltage (V)	220-240	220-240	220-240	220-240
Rated wattage (W)	6.9	6.9	8.9	8.9
Frequency (Hz)	50 / 60	50 / 60	50 / 60	50 / 60
Rated input current (mA)	55	55	70	70
Power factor	0.55	0.55	0.55	0.55
Switching cycles	>20,000	>20,000	>20,000	>20,000
Rated lifetime (h)	25,000	25,000	25,000	25,000
Dimming	No	No	No	No
Product code	LDFC740MX5EU	LDFC740WX5EU	LDFC940MX5EU	LDFC940WX5EU
Rated voltage (V)	220-240	220-240	220-240	220-240
Rated wattage (W)	6.9	6.9	8.9	8.9
Frequency (Hz)	50 / 60	50 / 60	50 / 60	50 / 60
Rated input current (mA)	55	55	70	70
Power factor	0.55	0.55	0.55	0.55
Switching cycles	>20,000	>20,000	>20,000	>20,000
Rated lifetime (h)	25,000	25,000	25,000	25,000
Dimming	No	No	No	No

## Mechanical parameters

MODEL NAME	E-CORE GX53			
Product code	LDFC727MX5EU	LDFC727WX5EU	LDFC927MX5EU	LDFC927WX5EU
Overall length (mm)	48	48	53	53
Diameter (mm)	90	90	90	90
Net weight (g)	155	155	195	195
Cap	GX53-1	GX53-1	GX53-1	GX53-1
Product code	LDFC740MX5EU	LDFC740WX5EU	LDFC940MX5EU	LDFC940WX5EU
Overall length (mm)	48	48	53	53
Diameter (mm)	90	90	90	90
Net weight (g)	155	155	195	195
Cap	GX53-1	GX53-1	GX53-1	GX53-1

## Drawings



## Logistic data

PRODUCT CODE	EAN/ITF CODE	PACKAGING TYPE	SIZE OF PACKAGING (mm) L x H x W	GROSS WEIGHT (g)
LDFC727MX5EU	4974550447584	Gift box (1 pcs)	102 x 102 x 58	178
	14974550447581	Outer carton (12 pcs)	217 x 311 x 131	2,000
LDFC727WX5EU	4974550447560	Gift box (1 pcs)	102 x 102 x 58	178
	14974550447567	Outer carton (12 pcs)	217 x 311 x 131	2,000
LDFC927MX5EU	4974550447621	Gift box (1 pcs)	102 x 102 x 58	218
	14974550447628	Outer carton (12 pcs)	217 x 311 x 131	2,400
LDFC927WX5EU	4974550447607	Gift box (1 pcs)	102 x 102 x 58	218
	14974550447604	Outer carton (12 pcs)	217 x 311 x 131	2,400
LDFC740MX5EU	4974550447591	Gift box (1 pcs)	102 x 102 x 58	178
	14974550447598	Outer carton (12 pcs)	217 x 311 x 131	2,000
LDFC740WX5EU	4974550447577	Gift box (1 pcs)	102 x 102 x 58	178
	14974550447574	Outer carton (12 pcs)	217 x 311 x 131	2,000
LDFC940MX5EU	4974550447638	Gift box (1 pcs)	102 x 102 x 58	218
	14974550447635	Outer carton (12 pcs)	217 x 311 x 131	2,400
LDFC940WX5EU	4974550447614	Gift box (1 pcs)	102 x 102 x 58	218
	14974550447611	Outer carton (12 pcs)	217 x 311 x 131	2,400

## Handling and safety information

- + Do not cover the lamp with paper, cloth or other easily flammable materials
- + Do not expose the lamp to water or high humidity
- + Avoid additional mechanical stress on the lamp
- + Do not touch the lamp during or shortly after usage. Risk of burn!
- + Use only with recommended dimmers
- + Ambient temperature range: +5 °C to +40 °C
- + Do not look directly into the lamp
- + Do not spray pesticide on this lamp
- + Please ensure the mains power is disconnected before undertaking any work on the luminaire or lamp

[www.toshiba.eu/lighting](http://www.toshiba.eu/lighting)