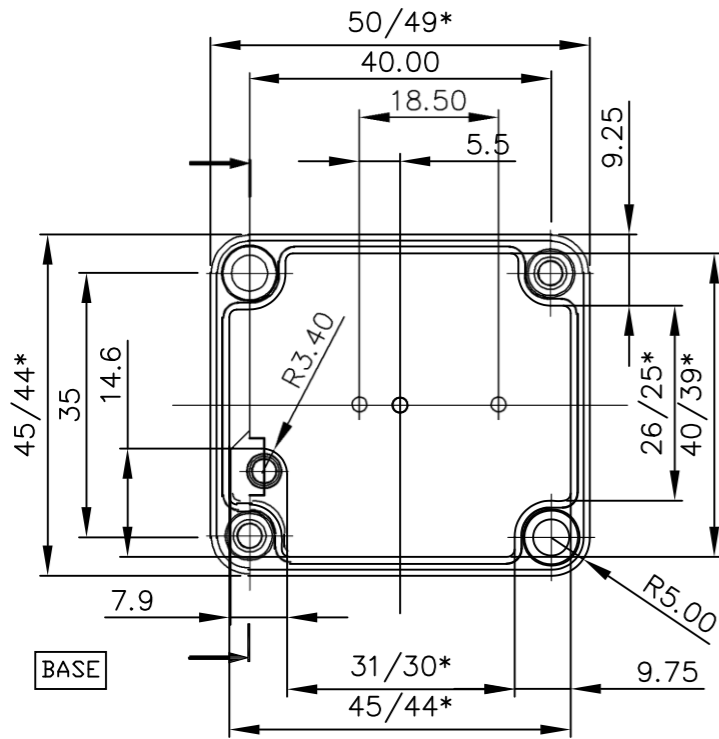
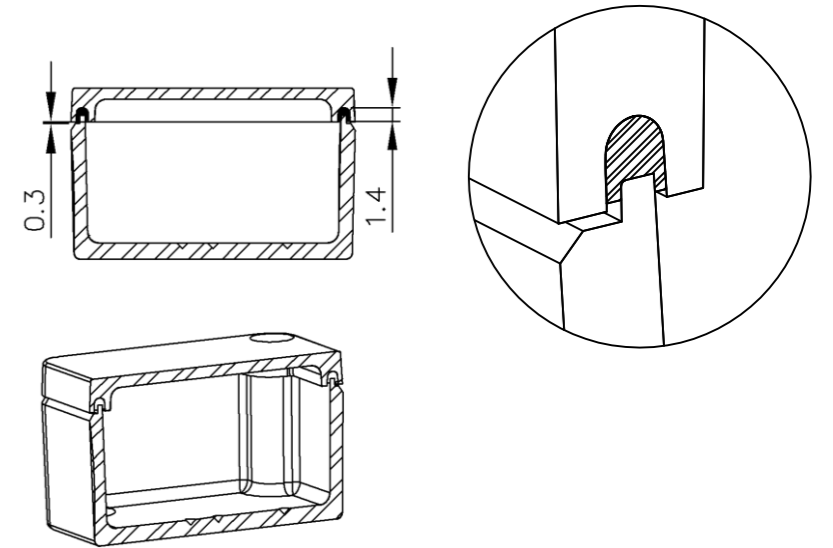
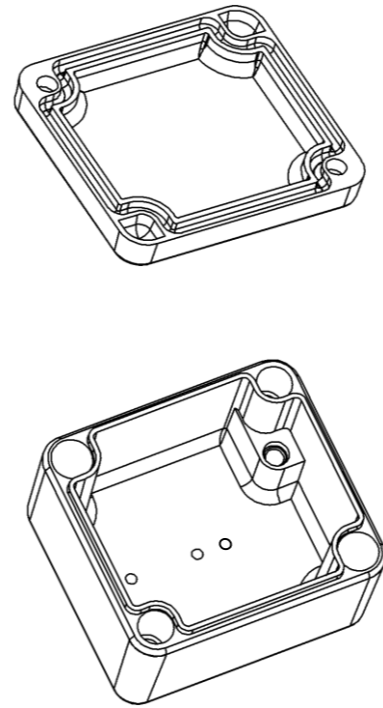
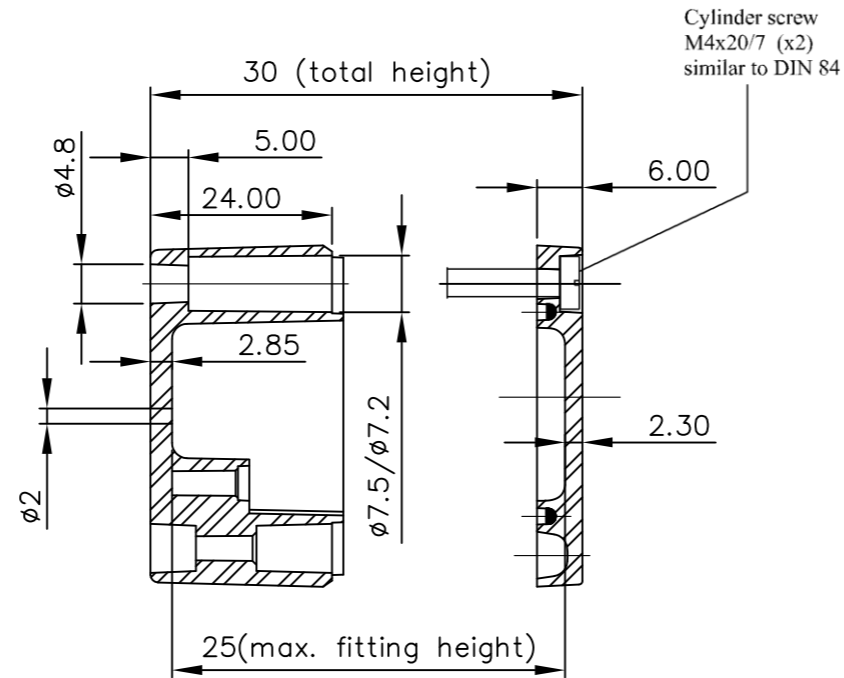


LID



BASE



Cylinder screw
M4x20/7 (x2)
similar to DIN 84

* = Conical form tapering downwards
Free dimensions • tolerance to GTA 13/5 DIN 1688

ENCLOSURE/BOX MEETS THE REQUIREMENTS OF
IS/IEC 60529:2001
OR
EN 60529
FOR IP 68 SEVERITY

TOLERANCE				COMPONENT		DRAWN BY		DATE	
				ENCLOSURE/BOX				17-07-2009	
SCALE				ROUGHNESS		CHECKED BY		DATE	
1:1						-		0-0-00	
				MATERIAL		SH.NO.		NO. OF SHEETS	
				ALUMINIUM		00		00	