

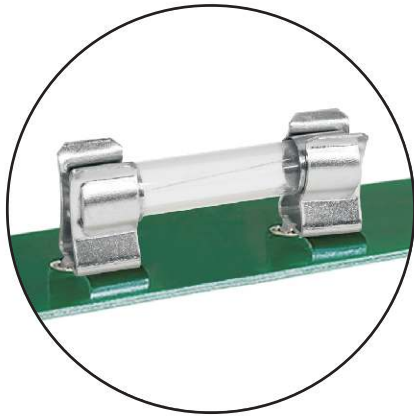
Datenblatt

PCB Mount Fuse Clip for 6.0 x 32mm Tube Fuse

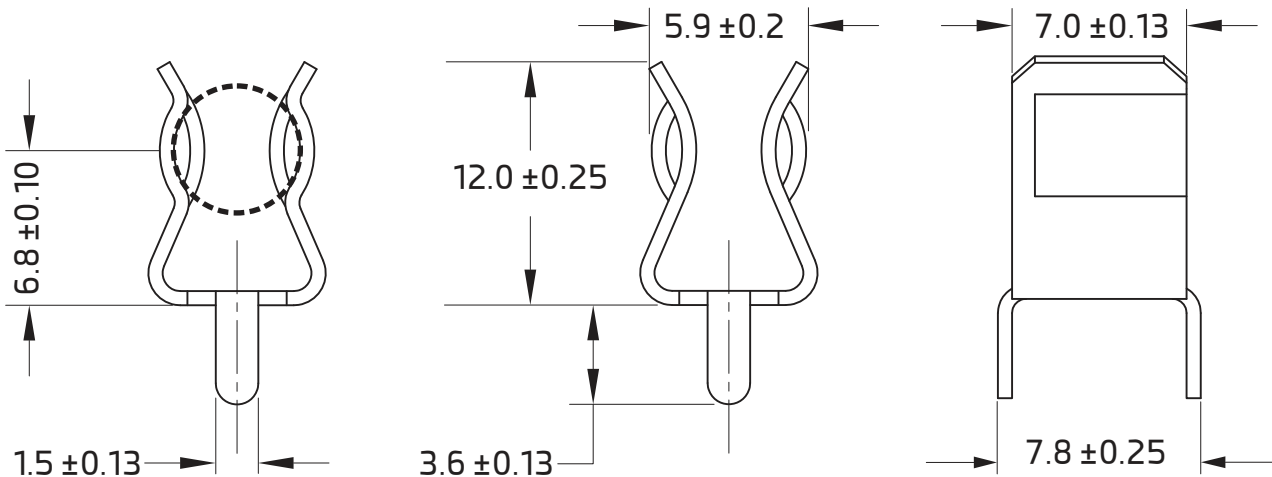
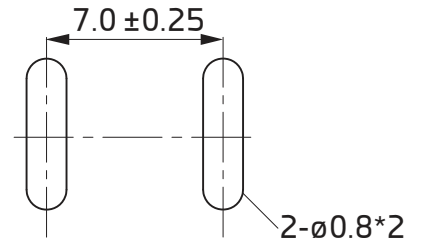


Specification

For fuse type: Tube Fuse
 For fuse size: 6.0 x 32 mm
 Mounting style: PCB Mount
 Material: Brass, Tin-plated
 Voltage rating: 250 V / AC
 Current rating: 10A max.
 Contact resistance: 10mΩ max.
 Resistance solder heat: 260°C at 3sec.
 Operating temperature: -40 ~ 125°C
 Operating humidity: >75%RH



P.C.B mounting layout



mm