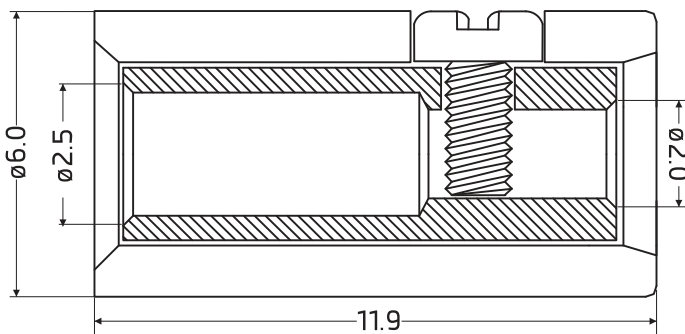


Best. Nr. 451 445

**Miniature Connector, 2.6mm
Female Jack, Red color
10pcs pack**



Wire cross section: 0.5-1.5 mm²



Specification

Insulator material: ABS
Contact material: Copper
Plating: Nickel
Voltage rating: 30 V/DC
Current rating: 2A
Contact resistance: 5mΩ max.
Insulation resistance: 100MΩ min.
Operating temperature: -10°C to 85°C

