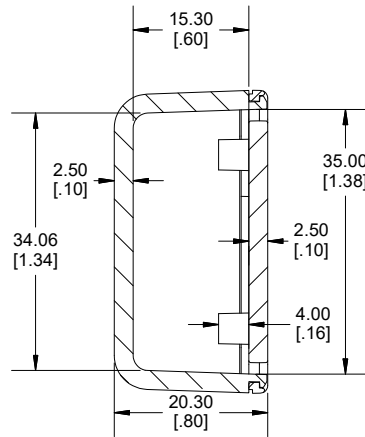
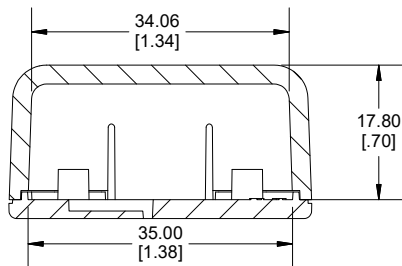


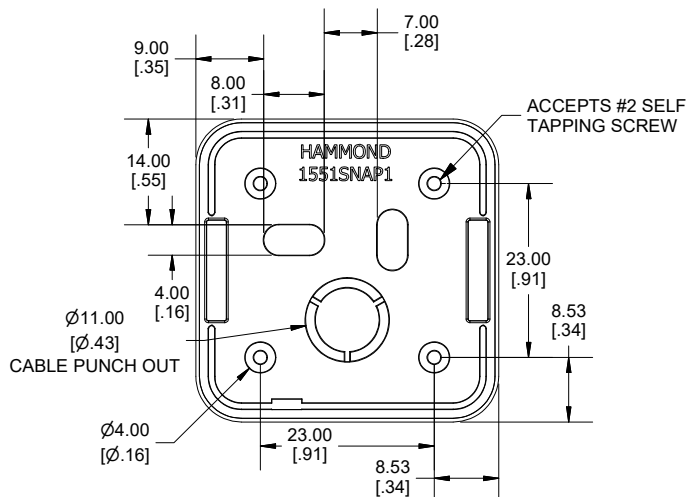
**TOP VIEW**



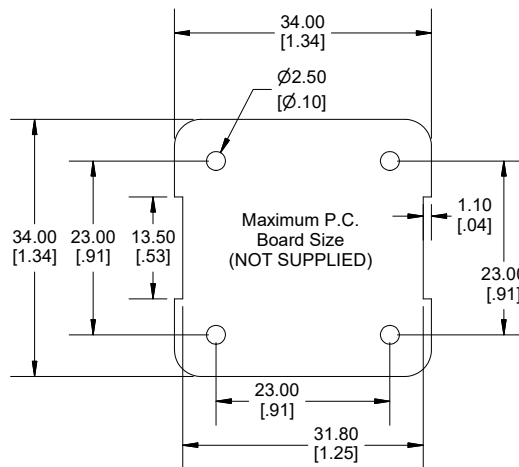
**SECTION A-A  
SIDE VIEW**



**SECTION B-B  
END VIEW**



**INSIDE BASE VIEW**



**Dimensions:**  
mm  
[inches]

Enclosures can be Factory Modified (Milling, Drilling, Printing etc.)  
Contact Factory (modshop@hammfg.com) for quotes  
Solid models of this enclosure available in .stp or .x\_t  
(Part number and text placement/orientation on our products are subject to change,  
we do not recommend using them as a locating reference for modification purposes)

**NOTE**

Purchased assembly includes snap together base and cover. Enclosure molded from general purpose ABS Plastic.  
Other materials / colours available consult factory.

**Recommended Torque : (21-28) Ozf.in / (15-20) cN.m**

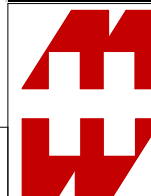
**PART NUMBERS**

**1551SNAP1 Enclosure**

Black Enclosure - UL94 - HB	1551SNAP1BK
Gray Enclosure - UL94 - HB	1551SNAP1GY
White Enclosure - UL94 - HB	1551SNAP1WH

**ACCESSORIES**

P.C. Board Plastite Self Tapping Screw [#2 x 3/16" self-tapping (4.8mm)]	1553WTS100 (Pkg 100)
---	----------------------



**HAMMOND  
MANUFACTURING.**

**1551SNAP1**

[www.hammondmfg.com](http://www.hammondmfg.com)