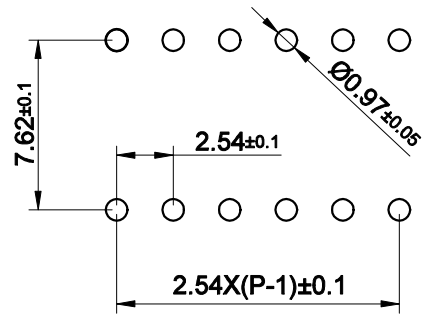
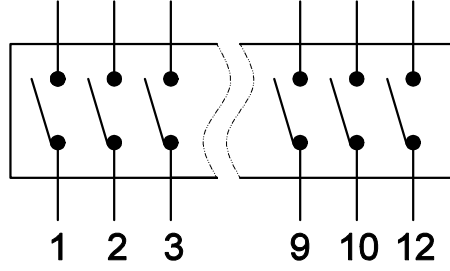
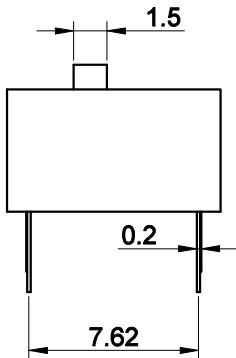
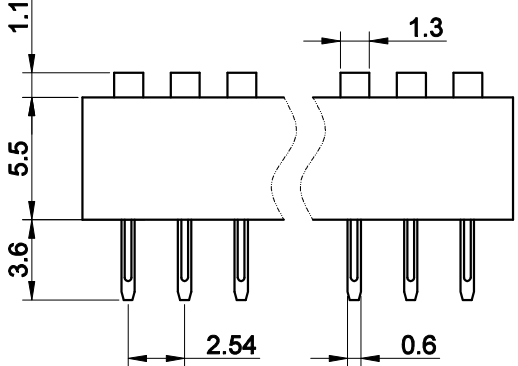


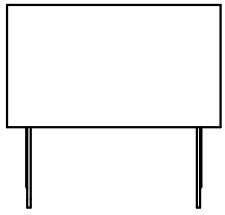
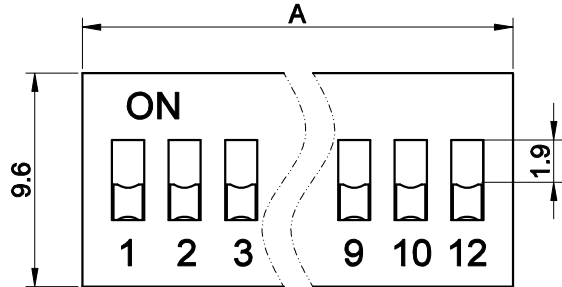
FOR 客户名称	APPROVED 客户确认签字	ATTN 销售负责人



Extend actuator(E)

Circuit

PCB Layout



Recessed actuator(R)

Number	DS★01	DS★02	DS★03	DS★04	DS★05	DS★06	DS★07	DS★08	DS★09	DS★10	DS★12
DIM A (mm)	3.54	6.64	9.18	11.72	14.26	16.8	19.34	21.88	24.42	26.96	32.04

Part Number: DS★-◇◆-△

"★"	Actuator	"◇"	Position	"◆"	Housing Color	"△"	Plating
E	Extend actuator	01~12	1To12	R	Red	GT	Semi Tin Gold
R	Recessed actuator	11 excluded		B	Blue	GA	Gold
				N	Black		

SPECIFICATIONS:

- 1.Current/voltage rating: 25mA at 24VDC.
- 2.Insulation Resistance: 100MΩ at 250VDC.
- 3.Contact resistance: 50mΩ Max.
- 4.Dielectric strength: 500VAC /1min.
- 5.Operating force: 10N Max.
- 6.Electrical Life: ≤2000.
- 7.Operating temperature: -20°C to 85°C (no ice).
- 8.Operating life: 10N Max.
- 9.Hand soldering: 260°C max. for 2 seconds max.(30 wattiron max.)

MATERIALS:

- 1.Cover: PBT.
- 2.Housing: PBT.
- 3.Actuator: PBT.
- 4.Terminals seal: epoxy resin.
- 5.Terminals: Brass, Gold over Nickel Plated.

Wave soldering: 320°C max. for 5 seconds max. keep switches at OFF.

BRAND 品牌 ONPOW	红波按钮制造有限公司 ONPOW PUSH BUTTON MANUFACTURE CO.,LTD.	
	USED 用途 FINISH 处理 SCALE 比例 2.8 : 1 UNIT 单位 mm	APPD 审核 CH 2020/06/20 CHKD 校对 NCH 2020/06/20 DR. 制图 ZPD 2020/06/20
THESE DRAWINGS AND SPECIFICATIONS ARE THE PROPERTY OF ONPOW PUSH BUTTON MANUFACTURE CO.,LTD. AND SHALL NOT BE REPRODUCED COPIED OR USED IN ANY MANNER WITHOUT THE PRIOR WRITTEN CONSENT OF ONPOW PUSH BUTTON MANUFACTURE CO.,LTD.	DIMENSIONS 0.00 TO 18.00mm ±0.43mm 18.01 TO 30.00mm ±0.52mm 30.01 TO 50.00mm ±0.62mm 50.01 TO 80.00mm ±0.74mm	TITLE 名称 DIP Switch DWG NO. 图号 DS Series FILE NAME 档案名称 DS. dwg
	SHEET 张 1 / 1	SIZE 图纸 A4 REV. 更改 1