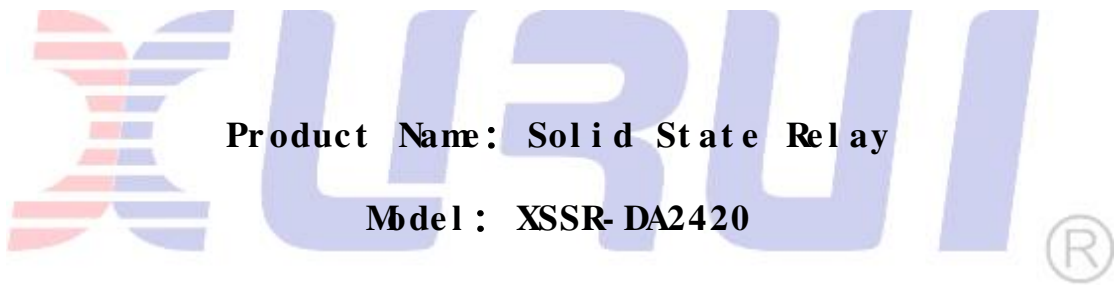


---

# SPECIFICATION



**Product Name: Solid State Relay**

**Model: XSSR- DA2420**

ZHEJIANG XURUI ELECTRONIC CO.,LTD

## 1. Features & Application

Electro-optic isolation between input circuit and output circuit.

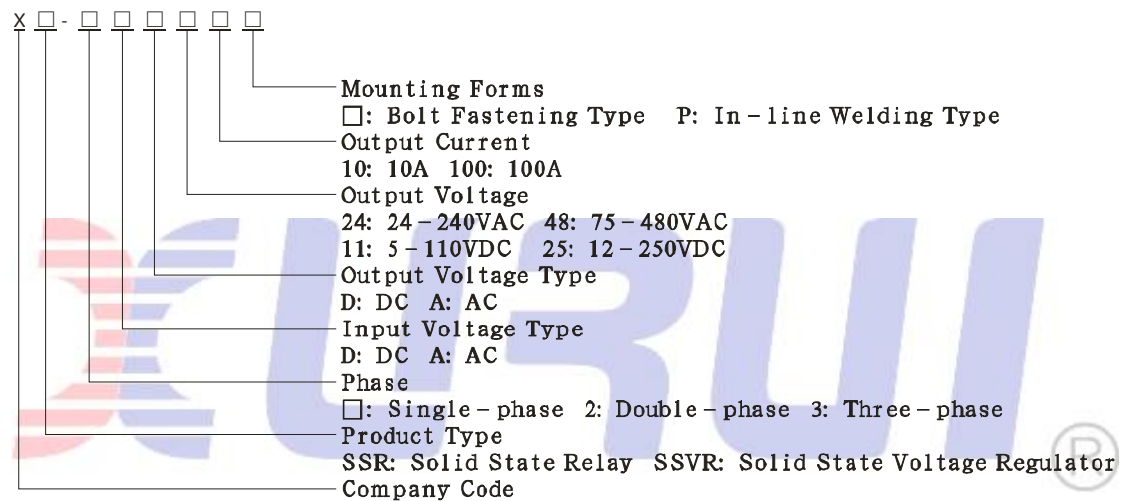
The control signal and TTL CMOS Logic is compatible.

The bidirectional control silicon output and zero circuit shutdown.

Plug-in connector welding, small size and easy mounting.

Widely used in industrial auto system, computer periphery connection, intermediate relay, solenoid valve control, etc.

## 2. Model & Meanings

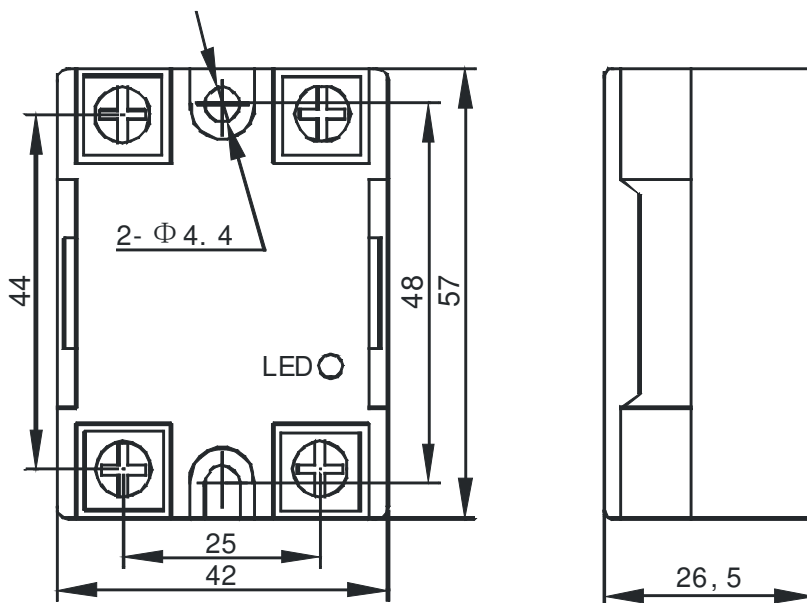


## 3. Technical Specification

Item	Data
Control voltage	3-32VDC
Control current	6-25mA
Reverse Voltage	32VDC
Guarantee Close Voltage	1VDC
Guarantee Open Voltage	3VDC
Load Voltage	24-240VAC
Load max current	20A
Load mini current	0.05A
Breakover Voltage	≤1.6VAC
Output leakage current	≤5mA
Medium withstand voltage	≥2000VAC
Insulating resistance	≥100MΩ
Switch time	≤10mS
Frequency range	50-60Hz

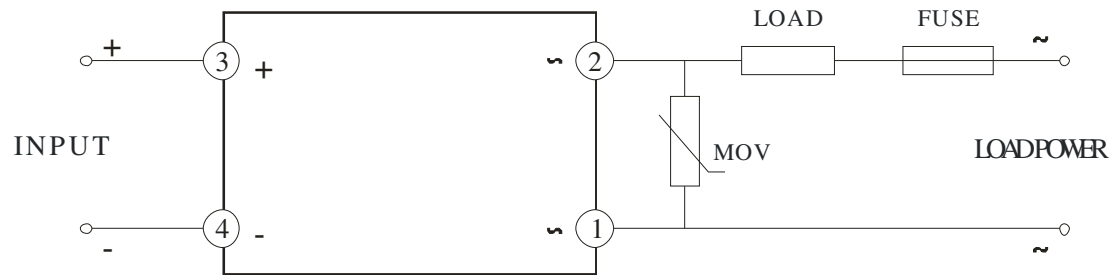
Working temperature	-25 °C -70 °C
Humidity	≤85%
Load current safety factor	Resistive load 50-60%, Inductive load 30-40%

#### 4. Outshape and mounting dimensions.



---

## 5. Connection Diagram



## 6. Application attentions

- Control voltage and working voltage must be stable, the coefficient of fluctuation should guarantee in 10% , when wiring should pay attention to the solid state relay's polarity to avoid wrong connection causing solid state relay permanence Damage. SSR should be mounted away from origin of heat and good radiating conditions. In the case that the ambient temperatures is too high or bad radiating condition, it should increase the current margin to ensure SSR good working. In the case that the ambient temperatures is too high or bad radiating condition, it should increase the current margin to ensure SSR good working. SSR can be even and good radiating. When mounting SSR, fastener must be tightened to prevent increasing resistance caused by screw losing. Even spreads heat conduction silicon , maintains the solid state relay can be even good radiation.
- Should use the corresponding overflow and the overvoltage protection measure. Overflow protection may select the fast fuse that response time is 10 $\mu$ S. Fuse size choose the practical work current 1.2-1.5 times. Overvoltage protection may use RC resistance-capacitance absorbing circuit and varistor. This series SSR has built in RC resistance-capacitance. Varistor choosing may according to the working voltage and current. 220V voltage select the varistor of 430-470V, 380V voltage select the varistor of 750-820V, the varistor discharge current capacity choose according to the current size.

## 7. Certifications

CE, TUV, UL