



Part no.: WZ0033

Modular Crimping Tool With Cutter & Stripper

Instructions:

1. Remove the closed lock to open the handles.
2. Single-bladed side for cutting: Cut the cable to the desired length.
3. Two-bladed side for stripping: Insert the cable between two blades, and squeeze the handles to remove the outer insulation of the cable.
4. Crimping modular: Put the modular plug in correct place, gold contacts of the plug under and then inset the cable into the plug. Squeeze the handles firmly to crimp the contacts and secure the cable.

Technical Features

Crimping Tool for 8P8C/RJ-45, 6P6C/RJ-12, 6P4C/RJ-11 plugs

With cable cutting and stripping function

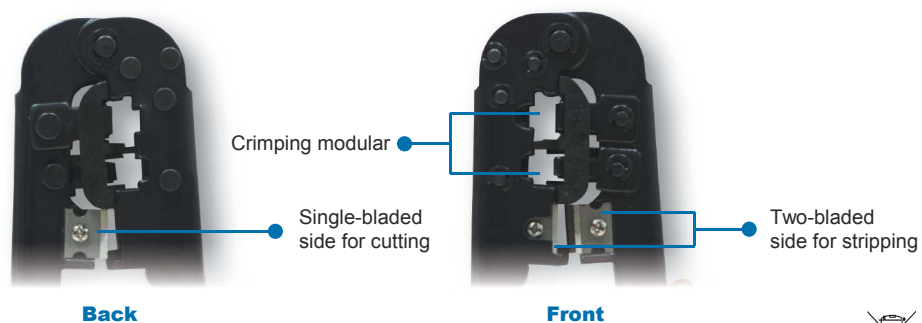
Integrated blade protection

Tool made of high-quality metal with rubberized plastic handle

Product Dimension: 190 x 74 x 12mm

Product Weight: 205g

Technical Drawings



WZ0033



4 052792 029482

Made in China

www.logilink.com



RoHS
compliant



* The specifications and pictures are subject to change without notice.
*All trade names referenced are the registered trademark of their respective owners.



Part no.: WZ0033

Modular Crimping Tool With Cutter & Stripper

Package Contents

1 x Modular Crimping Tool

Packaging Informations

Packing Dimension	103 x 264 x 25mm
Packing Weight	0.35kg
Carton Dimension	580 x 290 x 245mm
Carton Q'ty	50pcs
Carton Weight	17kg

WZ0033



4 052792 029482

Made in China

www.logilink.com



RoHS
compliant



* The specifications and pictures are subject to change without notice.
*All trade names referenced are the registered namework of their respective owners.