

# THOMSON

## Digital Wireless Headphones with DAB Radio

Casque numérique sans fil avec radio DAB  
Digital-Funkkopfhörer mit DAB-Radio

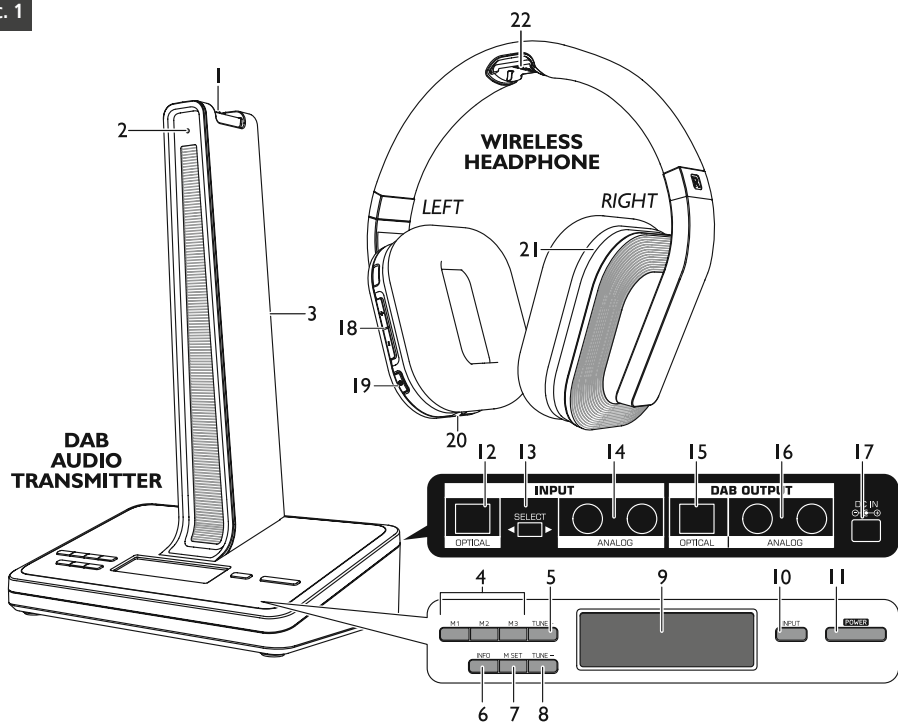
WHP5407



# THOMSON

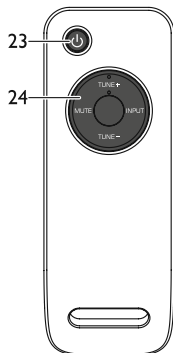
- GB** Operating Instructions
- F** Mode d'emploi
- D** Bedienungsanleitung
- I** Istruzioni per l'uso
- NL** Gebruiksaanwijzing
- PL** Instrukcja obsługi
- CZ** Návod k použití
- SK** Návod na použitie
- S** Bruksanvisning

Pic. 1

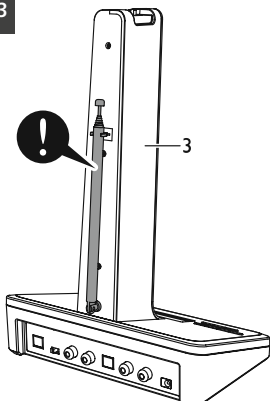


Pic. 2

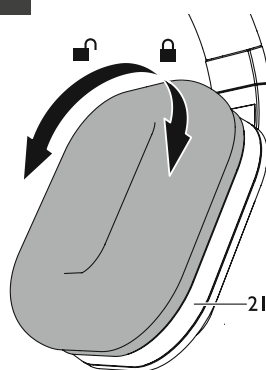
**REMOTE CONTROL**



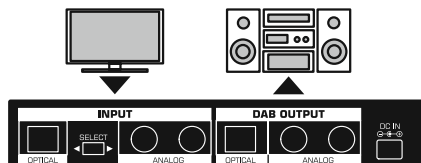
Pic. 3



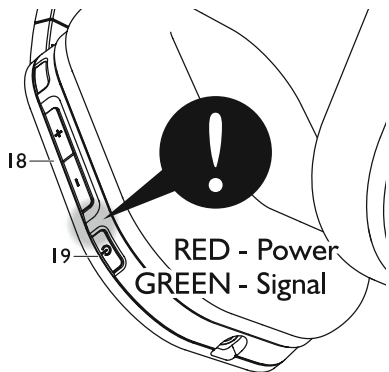
Pic. 5



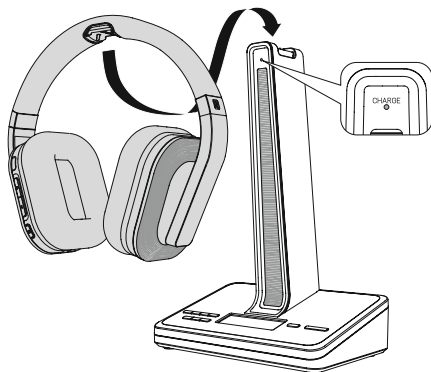
Pic. 4



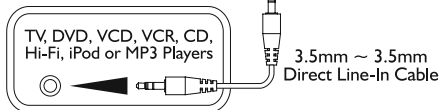
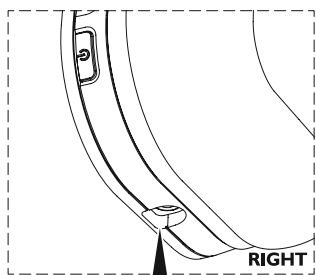
Pic. 6



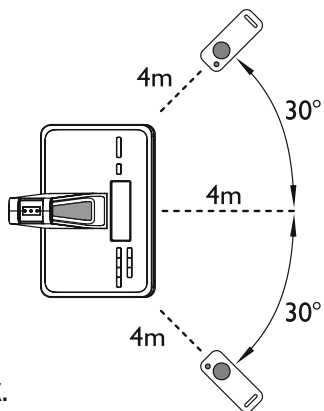
Pic. 7



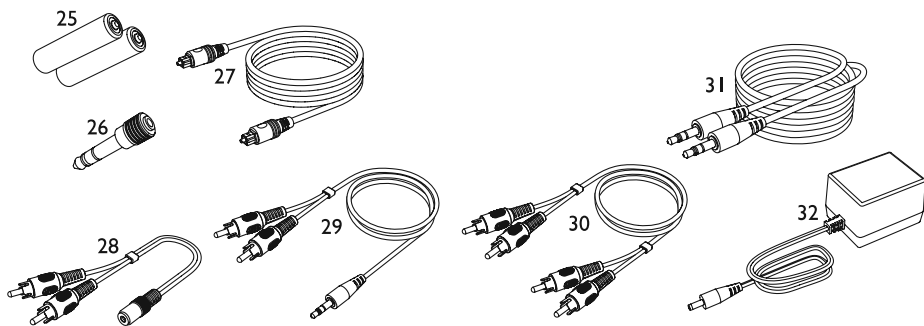
Pic. 8



Pic. 9



Pic. 10



Thank you for choosing a Thomson product. Take your time and read the following instructions and information completely. Please keep these instructions in a safe place for future reference. If you sell the device, please pass these operating instructions on to the new owner.

## 1. Explanation of Warning Symbols and Notes



### Warning

This symbol is used to indicate safety instructions or to draw your attention to specific hazards and risks.



### Note

This symbol is used to indicate additional information or important notes.

## 2. Controls and displays

### 2.1 Transmitter/charging station (Fig. 1)

1. Charging cradle and charging contacts (protected against reverse polarity)
2. Charging LED indicator (**CHARGE**)
3. Headphone holder with integrated DAB+/FM antenna

### Controls

4. Radio memory buttons **M1–M3** (FM or DAB+)
5. Automatic/manual search + (**TUNE +**)
6. Button for additional information for the radio station (**INFO**)
7. Selection of up to 10 station presets on FM or DAB+ (**M-SET**)
8. Automatic/manual search - (**TUNE -**)
9. Multifunction LCD display
10. Input selection button for DAB+, FM, AUX-IN and status LED (**INPUT**)
11. On/off switch and status LED (**POWER**)

### Rear connections

12. Optical audio input (digital)
13. Input selection switch: optical or analogue
14. RCA audio input (analogue)
15. DAB+/FM radio output (digital)
16. DAB+/FM radio output (analogue)
17. DC input socket (power supply unit)

### 2.2 Headphones/wireless receiver (Fig. 1)

18. Volume control +/-
19. Headphone on/off switch with status LED
20. Direct audio line-in (analogue, 3.5 mm stereo jack)
21. Right earpad as battery compartment cover (R)
22. Headphone charging contacts (protected against reverse polarity)

### Remote control (Fig. 2)

23. Power button (on/off switch)
24. Control buttons on remote control:
  - Automatic/manual search + (**TUNE +**)
  - Automatic/manual search - (**TUNE -**)
  - Mute (**MUTE**)
  - Input selection button for DAB+, FM, AUX-IN (INPUT)

**Rear:** Battery compartment cover for 2 x LR03 AAA batteries (not included)

## 3. Package contents

- These operating instructions
- 1 WHP 5407 wireless headphones (transmitter + headphones)
- 25. 2 x AAA NiMH batteries (exclusively for the headphones)
- 26. 1 audio adapter 3.5 mm / 6.3 mm
- 27. 1 optical fibre cable
- 28. 1 audio adapter (3.5 mm jack socket – RCA plug)
- 29. 1 audio adapter cable (3.5 mm jack plug – RCA plug)
- 30. 1 audio connection cable (RCA plug – RCA plug)
- 31. 1 audio connection cable (3.5 mm jack plug – 3.5 mm jack plug)
- 32. 1 power supply unit (for the charging station)

## 4. Safety Notes

- Never open, damage or swallow batteries or allow them to enter the environment. They can contain toxic, environmentally unfriendly heavy metals.
- Do not tamper with or damage/heat/disassemble the batteries/rechargeable batteries.
- The product is intended for private, non-commercial use only.
- Use the product for its intended purpose only.
- Children should be supervised to ensure that they do not play with the device.
- Do not use the product in areas where the use of electronic devices is not permitted.
- Only connect the product to a socket that has been approved for the device. The socket must be installed close to the product and easily accessible.
- Disconnect the product from the network using the power button – if this is not available, unplug the power cord from the socket.
- Lay all cables so that they do not pose a tripping hazard.
- Do not bend or crush the cable.
- Do not drop the product and do not expose it to any major shocks.
- Dispose of packaging material immediately according to locally applicable regulations.
- Do not modify the product in any way. Doing so voids the warranty.
- Do not use the product if the adapter, connection cable or power cable is damaged.
- Do not attempt to service or repair the product yourself. Leave any and all service work to qualified experts.
- Do not open the device or continue to operate it if it becomes damaged.

- Protect the product from dirt, moisture and overheating, and only use it in a dry environment.
- Only operate the product in ambient temperatures between 5°C and 40°C.
- Only use the product in environments where 2.4 GHz wireless technology is allowed.



### Warning – pacemaker

- The body current that flows when using this product can affect the functioning of a pacemaker.
- This product generates magnetic fields. Persons with a pacemaker should consult a doctor before using the product, as the pacemakers proper function could be affected.

## 5. Introduction

These 2.4-GHz digital wireless headphones with DAB+ and FM receiver operate with the latest wireless technology and allow you to enjoy clean, crystal-clear music or TV sound in the entire home. Simply connect the transmitter to the desired audio source; DVD player, CD player, TV set, hi-fi system, iPod or smartphone. Furthermore, you are able to receive digital radio programmes directly on the headphones using the DAB+ standard and FM radio signals, or transmit these radio signals to a further source (for example, stereo system or active speakers).

## 6. Main functional features

- 2.4-GHz digital wireless technology
- Automatic and digitally encoded channel selection for the wireless transmission
- Automatic switch-off ends the transmission if no signal is transmitted (or in charging mode).
- Range up to 10-15 metres (depending on building characteristics), up to 30 m with a clear line of sight
- Transmitter as a headphones stand with reverse polarity protection when charging
- Analogue or digital signal input and output selection
- Smart Volume Memory (storage of the last volume setting)
- Mute switch
- DAB+/FM radio with three direct favourites buttons on the transmitter
- LED display that shows the radio stations and additional information or source selection
- Remote control for controlling primary features
- Direct audio line-in (headphones in passive mode, connected directly to a smartphone/MP3 player, for example; for mobile use)
- Can also be used as wired headphones

## 7. Getting started

### 7.1 Connecting the transmitter

- Connect the power supply unit to a properly installed and easily accessible mains socket and to the DC input socket (17) on the transmitter.

- Connect one of the included audio cables (RCA or optical fibre cable) to the [ANALOG] (14) or [OPTICAL] (12) audio input on the rear of the transmitter and to the corresponding audio output on your playback device (TV or audio source).
- Set the [SELECT] input selector switch (13) to the input you are using (OPTICAL/ANALOG).
- If you want to use the radio signals (DAB+ or FM) on a further device (for example, stereo system or active speakers), you can forward these signals using the **DAB OUTPUT** (via RCA) (16) or optical fibre cable (15) as illustrated (Fig. 4). You may need additional connection cables for this purpose.

### 7.2 Inserting the batteries (headphones) (Fig. 5)



### Warning

- When inserting the rechargeable batteries, always make sure that the polarity is correct (“+” and “-” markings). Failure to do so could result in the rechargeable batteries leaking or exploding.
- Do not allow batteries/rechargeable batteries to discharge completely.
- Do not tamper with or damage/heat/disassemble the batteries/rechargeable batteries.
- Do not short circuit the batteries/rechargeable batteries and keep them away from uncoated metal objects.
- The batteries and charging station included in the delivery go together and should always be used in combination.



### Note – Batteries

- Switch off your device before changing the batteries.
- When stored over a long period of time, batteries should be charged regularly (at least every three months).
- The batteries may be charged at any time; it is not necessary to discharge them completely before charging.
- Before using the device for the first time, you must insert the supplied batteries into the headphones and fully charge them (takes about 7 hours).
- Open the battery compartment cover by holding the rear side of the right earpiece (21) and carefully turning the right earpad anti-clockwise. (Fig. 5)
- Insert the two AAA batteries (supplied) into the battery compartment, observing correct polarity. Close the battery compartment properly by putting back the earpad and turning it clock-wise until you feel it snap into place. (Fig. 5)

### 7.3 Charging the headphones

- First switch off the headphones by pressing and holding the **Power button** (19) for about 2 seconds (Fig. 6). The red LED signal lights up.
- Switch on the transmitter using the **POWER button** (11) and wait until the display (9) switches to ‘**Auxiliary Input**’.
- Hang the headphones with the charging contacts (22) on the charging contacts (1) of the transmitter.

- Charging begins automatically; the Charge LED **CHARGE (2)** on the transmitter turns green as soon as the charging contacts of the transmitter and headphones are connected. The device now switches automatically to standby mode.
- When charging is complete, the green Charge LED **(2)** goes out.

## 8.0 Operation

### 8.1 Receiving an external audio source

#### Switching on the transmitter

- Switch on the playback device (TV or audio component) that your transmitter is connected to, and initially set the volume to about 30–40% of the maximum volume to avoid damaging your hearing during setup.
- Press and hold the **Power button (11)** for one second to switch on the transmitter. The **Power** status LED **(11)** begins to light up blue. The **INPUT** status LED **(10)** begins to flash blue (**Auxiliary Input** display).
- The **INPUT** status LED **(10)** is constantly lit blue as soon as an audio signal is received.
- If no audio signal is received, the transmitter automatically switches to standby mode after about 5 minutes. The **Power** status LED **(11)** is lit red.
- Alternatively, you can later use the **Power button (23)** on the remote control. Note here that the transmitter must be in standby mode. The **Power** status LED **(11)** is lit red.

#### Switching on the headphones/receiver

##### Warning – Volume

- Using this product limits your perception of ambient noise. For this reason, do not operate any vehicles or machines while using this product.
- Always keep the volume at a reasonable level. Loud volumes, even over short periods, can cause hearing loss.
- Switch on the headphones by pressing and holding the **Power button (19)** for about 2 seconds. The **Power status LED (Fig. 6)** lights up red, and then changes to green as soon as there is a signal connection between the transmitter and headphones. If no audio signal is detected, the LED stays red.



##### Note on pairing transmitter and receiver

- Should the LED stay red, you will need to pair the transmitter and receiver. To do so, switch the transmitter completely off using the **Power button (11)** and the **Power button (19)** of the headphones. Now press the **Power button (19)** on the headphones and keep it pressed until the **Power status LED** flashes green (about 5 seconds). Press the **Power button (11)** on the transmitter within the next 15 seconds. An acoustic signal will sound to confirm successful pairing.

- After successful pairing, the playback device (for example, TV) should now be audible through the earpads.
- Adjust the headband and put the headphones on.
- Set the desired volume using the **volume control (18)** on the headphones.

##### Note

To get the best possible playback (and to avoid unwanted noise of the playback device), initially reduce the volume of the headphones **(18)** and set the volume of the playback device (for example, TV) to about 70–80%. Then adjust the **volume (18)** on the headphones to suit your needs. This is important for analogue input selection in particular (for example, headphone output of the TV).

- If the charge level of the headphone batteries is low, the **Power** status LED **(Fig. 6)** on the headphones will flash red. Five minutes before automatic switch-off, a warning tone will also sound: one tone per minute for four minutes and two tones in the last minute. The headphones then switch off automatically.

##### Note

- In the case of interference or poor reception, the headphone sound is muted and the LED is lit red.
- These headphones can also be used as standard wired headphones. For this purpose, connect the headphone output socket of your playback device to the 3.5 mm stereo jack socket on the headphones **(20)** using an analogue audio cable (**package content #31**). Please observe the technical specifications for the audio/headphone output in the operating instructions of your playback device; or, if anything is unclear, consult an expert.
- If you place the headphones onto the charging contacts **(1)** during operation, the headphones switch off (**Power** status LED turns red) and the transmitter goes into standby mode (**Power** status LED **(11)** is lit red). At the same time, the wireless connection is interrupted and the headphones go into charging mode (**CHARGE** LED is lit green).
- As soon as an audio signal is detected again (and the headphones are removed from the charging contacts), the transmitter automatically switches back on and the **Power** status LED **(11)** is lit blue; the **Power** status LED on the headphones is lit green (Fig. 6).

### 8.2 Receiving and playing DAB+ radio

##### Note – Optimum reception

This product has a telescopic antenna (Fig. 3) that enables DAB+ and FM reception.

Please note:

- Always pull the antenna out completely.

- We recommend you adjust the antenna vertically to ensure optimal reception.
- In many cases, the signal strength varies depending on the installation location. To improve reception, choose an installation location near a window.
- Press the **INPUT** button on the transmitter (**10**) until you are in DAB mode (alternatively the **INPUT** button (**24**) of the remote control).
- For a first-time installation, an automatic station search takes place; alternatively, press the **INFO** button (**6**) to start the automatic station search (**Scanning**).
- Press and hold **TUNE+** (**5**) or **TUNE -** (**8**) to view a list of available stations.
- Press **TUNE +** (**5**) or **TUNE -** (**8**) to select a station from the station list (alternatively the **TUNE +** or **TUNE -** button (**24**) on the remote control).
- Confirm your selection by pressing the Info button (6) or wait until the station is automatically adjusted.
- To program the quick-selection buttons **M1 to M3**, press and hold one of the favourites buttons (**4**) on the station you would like to store as a preset.
- Press the **M Set button** (**7**) to view or store your complete favourites list. For this purpose, first select stations you wish to store and press the **M SET button** (**7**). Use the **TUNE +/-** buttons to search for an empty station preset '**Preset Store (Empty)**'. The station is automatically stored in this preset.
- To get additional DAB+ station information, press the **INFO** button (**6**) repeatedly (for example, programme information, DAB+ frequency, signal information, transmission quality, time, date, signal strength of the transmitter, etc.).

**Note:** The signal strength display of the weakest DAB+ station may be helpful in adjusting the rod antenna or positioning the transmitting station.

### 8.3 Receiving and playing FM radio

- Press the Input button (**10**) repeatedly until you are in FM mode (alternatively the **INPUT** button (**24**) of the remote control).
- Press and hold **TUNE +** (**5**) or **TUNE-** (**8**) for the automatic station search to stop at the nearest station with a strong reception. Alternatively, you can manually set a transmission frequency by briefly pressing the **TUNE +** (**5**) or **TUNE -** (**8**) button. This is also possible using the **TUNE+/-** buttons (**24**) on the remote control.
- To store the desired stations, you can now store the transmission frequency.
- To program the quick-selection buttons **M1 to M3**, press and hold one of the favourites buttons (**4**) on the station you would like to store as a preset.
- Press the **M Set button** (**7**) to view or store your complete favourites list. For this purpose, first select stations you wish to store and press the **M SET button** (**7**). Use the **TUNE +/-** buttons to search for an empty station preset '**Preset Store (Empty)**'. The station is automatically stored in this preset. The preset number (for example, P4) is shown in the upper-left area of the LCD display (**9**).

- To get additional RDS station information, press the **INFO** button (**6**) repeatedly (for example, programme information, frequency, STEREO/MONO, time, date, etc.).

### 8.4 General/system settings

- Press and hold the transmitter's **POWER** button (**11**) for one second to switch on the transmitter.
- Press the **INPUT** button (**10**) repeatedly until you are in **AUX-IN** mode.
- Press and hold the **INFO** button (**6**) for about 2–3 seconds until '**System**' appears in the LCD menu.
- Press **TUNE +** (**5**) or **TUNE -** (**8**) to select your setting. Press the **INFO** button (**6**) to confirm each of your entries. Use the **INPUT** button (**10**) to end your entries/changes.
- The following menu items are available:

#### Time (Date and time settings)

Confirm your selection by pressing the Info button (**6**).

Set the following information in the order listed:

Set Time/Date

Auto Update

Set 12/24 hour

Set date format

#### Factory Reset (Resetting to factory settings)

Select the Factory Reset menu item.

Confirm your selection by pressing the **INFO** button (**6**).

Press **Tune +** (**5**) or **Tune -** (**8**) to choose between YES and NO.

Confirm your selection by pressing the **INFO** button (**6**).

#### Software Upgrade

Software update only for authorised dealers

#### SW Version (display of the software version)

Select the SW Version menu item.

Confirm your selection by pressing the **INFO** button (**6**).

The current software version is displayed.

### 8.5 Troubleshooting

#### 8.5.1 No sound

- Make sure that the power supply unit is correctly connected to the wall socket and to the transmitter's power socket.
- Check whether the headphones are on.
- The headphone charge level may be too low, in which case you need to fully charge the batteries.
- Make sure that the desired TV set or audio device is switched on and playing sound.
- The headphone volume may be too low.
- The audio signal may be too low. Increase the volume on your playback device.
- Make sure that the transmitter and receiver (headphones) are paired > Point 8.1.



### 8.5.2 Other sound interference (dropouts or noise)

- Make sure that the headphone volume is suitably set.
- The headphones may be too far from the transmitter.
- The audio signal may be too low. Increase the volume on your playback device.
- Noise: Make sure that the audio signal is not too low (noise floor of the playback device).

## 9. Care and Maintenance

Only clean this product with a slightly damp, lint-free cloth and do not use aggressive cleaning agents.

## 10. Warranty Disclaimer

Hama GmbH & Co. KG assumes no liability and provides no warranty for damage resulting from improper installation/mounting, improper use of the product or from failure to observe the operating instructions and/or safety notes.

## 11. Service and Support

Please contact Hama Product Consulting if you have any questions about this product.

Hotline: +49 9091 502-115 (German/English)

Further support information can be found here:

[www.hama.com](http://www.hama.com)

## 12. Technical Data

### Headphones/transmitter

<b>Operating voltage</b>	transmitter: 5 V, 550 mA, headphones: 2.4 V (2 x AAA NiMH)
<b>Distortion</b>	< 1%
<b>Signal-to-noise ratio</b>	80 dB
<b>Range</b>	up to 30 metres inside buildings (depending on the composition of intervening walls)
<b>Frequency range</b>	20 Hz – 20 kHz
<b>Max. emitted transmitting power</b>	6.82 dBm
<b>Frequency band/ frequency bands</b>	2406 – 2472 MHz

### Digital radio

<b>DAB frequency</b>	174–240 MHz
<b>Presets</b>	10
<b>DLS</b>	Dynamic Label Service (programme- related text information of the radio station)
<b>Supported DAB formats</b>	MP2/AAC

### FM radio

<b>Frequency</b>	87.5 – 108 MHz
<b>Presets</b>	10
<b>RDS</b>	Radio Data System (programme- related additional information of the radio station)

## 13. Recycling Information

### Note on environmental protection:



After the implementation of the European Directive 2012/19/EU and 2006/66/EU in the national legal system, the following applies: Electric and electronic devices as well as batteries must not be disposed of with household waste. Consumers are obliged by law to return electrical and electronic devices as well as batteries at the end of their service lives to the public collecting points set up for this purpose or point of sale. Details to this are defined by the national law of the respective country. This symbol on the product, the instruction manual or the package indicates that a product is subject to these regulations. By recycling, reusing the materials or other forms of utilising old devices/Batteries, you are making an important contribution to protecting our environment.

## 14. Declaration of Conformity



Hereby, Hama GmbH & Co KG declares that the radio equipment type [00131989] is in compliance with Directive 2014/53/EU. The full text of the EU declaration of conformity is available at the following internet address: [www.hama.com](http://www.hama.com) -> 00131989 -> Downloads.

Nous vous remercions d'avoir choisi un produit Thomson. Veuillez prendre le temps de lire l'ensemble des remarques et consignes suivantes. Veuillez conserver ce mode d'emploi à portée de main afin de pouvoir le consulter en cas de besoin. Transmettez-le au nouveau propriétaire avec l'appareil le cas échéant.

### 1. Explication des symboles d'avertissement et des remarques

#### Avertissement

Ce symbole est utilisé pour indiquer des consignes de sécurité ou pour attirer votre attention sur des dangers et risques particuliers.

#### Remarque

Ce symbole est utilisé pour indiquer des informations supplémentaires ou des remarques importantes.

### 2. Éléments de commande et d'affichage

#### 2.1 Émetteur / station de charge (fig. 1)

1. Support-chargeur et contacts de charge (avec protection contre l'inversion de polarité)
2. Témoin LED de charge (**CHARGE**)
3. Support de casque avec antenne DAB+/UKW intégrée

#### Éléments de commande

4. Touches mémoire radio **M1-M3** (UKW ou DAB+)
5. Recherche automatique/manuelle + (**TUNE +**)
6. Touche pour informations supplémentaires concernant la station de radio (**INFO**)
7. Consultation de 10 stations en mémoire maxi sur UKW ou DAB+ (**M-SET**)
8. Recherche automatique/manuelle - (**TUNE -**)
9. Écran LCD multifonctions
10. Touche de sélection d'entrée pour DAB+, UKW, AUX-IN et LED d'état (**INPUT**)
11. Touche de mise sous / hors tension et LED d'état (**POWER**)

#### Branchements sur la face arrière

12. Entrée audio optique (numérique)
13. Sélecteur d'entrée : optique ou analogique
14. Entrée audio RCA (analogique)
15. Sortie radio DAB+/UKW (numérique)
16. Sortie radio DAB+/UKW (analogique)
17. Prise d'entrée CC (bloc secteur)

#### 2.2 Casque / récepteur radio (fig. 1)

18. Réglage du volume +/-
19. Interrupteur du casque avec LED d'état
20. Entrée audio Line-In directe (analogique, jack stéréo 3,5 mm)
21. Oreillette droite faisant office de couvercle du compartiment à piles (R)

22. Contacts de charge du casque (avec protection contre l'inversion de polarité)

#### Télécommande (fig. 2)

23. Touche **POWER** (mise sous / hors tension)
24. Boutons de contrôle de la télécommande :
  - Recherche automatique/manuelle + (**TUNE +**)
  - Recherche automatique/manuelle - (**TUNE -**)
  - Mise en sourdine (**MUTE**)
  - Touche de sélection d'entrée pour DAB+, UKW, AUX-IN (**INPUT**)

**Face arrière** : Couvercle du compartiment à piles pour 2 piles LR03(AAA (non fournies)

### 3. Contenu de l'emballage

- Mode d'emploi
- 1 casque radio WHP 5407 (émetteur + casque)
- 25. 2 piles LR03/AAA NiMH (exclusivement pour le casque)
- 26. 1 adaptateur audio 3,5 mm / 6,3 mm
- 27. 1 câble fibre optique
- 28. 1 adaptateur audio jack femelle 3,5 mm – connecteur RCA
- 29. 1 câble adaptateur audio jack femelle 3,5 mm – connecteur RCA
- 30. 1 câble de connexion audio RCA – RCA
- 31. 1 câble de connexion audio jack mâle 3,5 mm – jack mâle 3,5 mm
- 32. 1 bloc secteur (pour la station de charge)

### 4. Consignes de sécurité

- Ne tentez pas d'ouvrir les piles ou les batteries, faites attention à ce que des petits enfants ne les aient pas et ne les jetez pas avec les ordures domestiques. Elles sont susceptibles de contenir métaux lourds toxiques et nocifs pour l'environnement.
- Ne modifiez pas et/ou ne déformez/chauffez/désassemblez pas les batteries/piles.
- Ce produit est destiné à une installation domestique non commerciale.
- Utilisez le produit exclusivement conformément à sa destination.
- Les enfants doivent être surveillés fin de garantir qu'ils ne jouent pas avec le produit.
- N'utilisez pas le produit dans les zones dans lesquelles l'utilisation d'appareils électroniques est interdite.
- Utilisez l'appareil exclusivement branché à une prise de courant appropriée. La prise de courant doit être située à proximité du produit et doit être facilement accessible.
- Coupez le produit du secteur à l'aide de l'interrupteur - débranchez la prise de courant en cas d'absence d'interrupteur.
- Posez tous les câbles de telle sorte qu'ils ne présentent aucun risque de chute.
- Faites attention à ne pas plier ni coincer le câble.
- Protégez le produit des secousses violentes et évitez tout choc ou toute chute.
- Recyclez les matériaux d'emballage conformément aux prescriptions locales en vigueur.

- N'apportez aucune modification à l'appareil. Des modifications vous feraient perdre vos droits de garantie.
- N'utilisez pas le produit lorsque l'adaptateur, le câble de connexion ou le câble d'alimentation sont endommagés.
- Ne tentez pas de réparer l'appareil vous-même ni d'effectuer des travaux d'entretien. Déléguez tous travaux d'entretien à des techniciens qualifiés.
- Ne tentez pas d'ouvrir le produit en cas de détérioration et cessez de l'utiliser.
- Protégez le produit de toute saleté, humidité, surchauffe et utilisez-le uniquement dans des locaux secs.
- Utilisez le produit uniquement à une température ambiante de 5°C à 40°C.
- Utilisez le produit uniquement dans un environnement dans lequel la technologie radio sans fil 2,4 GHz est autorisée.



#### Avertissement – stimulateurs cardiaques

- Les courants corporels circulant lors de l'utilisation de ce produit sont susceptibles d'influencer le fonctionnement d'un stimulateur cardiaque.
- Ce produit génère des champs magnétiques. Avant d'utiliser ce produit, toute personne portant un stimulateur cardiaque doit se faire conseiller par un médecin car le fonctionnement du stimulateur cardiaque peut en être affecté.

## 5. Introduction

Ce casque numérique sans fil 2,4 GHz équipé d'un récepteur DAB+ et UKW fonctionne avec la technologie radio sans fil de dernière génération. Qu'il s'agisse de musique ou de son TV, il vous permet de profiter d'un son pur et cristallin dans toute votre maison. Branchez simplement l'émetteur à la source audio souhaitée : lecteur DVD, lecteur CD, téléviseur, chaîne Hi-Fi, iPod ou smartphone. Vous pouvez également recevoir directement sur votre casque des stations de radio numérique via les signaux radio standard DAB+ et UKW ou transférer ces signaux radio à une autre source (chaîne stéréo, haut-parleurs actifs, etc.).

## 6. Caractéristiques des fonctions principales

- Technologie radio sans fil numérique 2,4 GHz
- Choix du canal codé automatique et numérique de la transmission radio
- La mise hors tension automatique arrête la transmission en cas de non-détection du signal (ou en mode de chargement).
- Portée jusqu'à 10-15 mètres (selon les conditions ambiantes), jusqu'à 30 mètres sans obstacle
- Émetteur en tant que support de casque avec protection contre les l'inversion de polarité lors du chargement
- Choix d'entrée et de sortie analogique ou numérique des signaux
- Smart Volume Memory (sauvegarde des volumes précédemment réglés)
- Mise en sourdine
- Radio DAB+/UKW avec trois touches de stations favorites directes pouvant être sauvegardées sur l'émetteur
- Écran LED d'affichage des stations de radio et d'informations supplémentaires ou de la sélection de la source

- Télécommande pour le contrôle des caractéristiques primaires
- Entrée directe audio Line-In (casque passif directement sur un smartphone/MP3 pour utilisation mobile)
- Peut également être utilisé en tant que casque audio filaire

## 7. Mise en service

### 7.1 Branchement de l'émetteur

- Branchez le bloc secteur à une prise de courant facile d'accès à la fiche d'entrée CC (17) de l'émetteur.
- Branchez l'un des câbles audio fournis (RCA ou fibre optique) aux entrées audio [ANALOG] (14) ou [OPTICAL] (12) situées au dos de l'émetteur ainsi qu'à la sortie audio correspondante de votre appareil de lecture (source TV ou audio).
- Réglez le sélecteur d'entrée [SELECT] (13) sur l'entrée utilisée (OPTICAL / ANALOG).
- Si vous souhaitez utiliser les signaux radio (DAB+ ou UKW) sur un appareil supplémentaire (chaîne stéréo, haut-parleurs actifs, etc.), vous pouvez transférer ces signaux par le biais de la sortie DAB-OUTPUT via RCA (16) ou câble à fibre optique (15) comme décrit dans le schéma (fig. 4). Vous aurez éventuellement besoin de câbles de raccordement supplémentaires pour cette connexion.

### 7.2 Insérer les piles rechargeables (casque) (fig. 5)



#### Avertissement

- Respectez impérativement la polarité des batteries (indications + et -) lors de leur insertion dans le boîtier. Risques d'écoulement et d'explosion des batteries si tel n'est pas le cas.
- Ne déchargez pas totalement les batteries/piles.
- Ne modifiez pas et/ou ne déformez/chauffez/désassemblez pas les batteries/piles.
- Ne court-circuitez pas les batteries/piles et éloignez-les des objets métalliques.
- Les piles rechargeables et la station de charge sont prévues pour fonctionner ensemble et doivent être utilisées exclusivement dans la combinaison livrée.



#### Remarque – concernant les piles

- Assurez-vous que votre appareil est bien hors tension avant de remplacer les piles.
- Rechargez régulièrement le produit (au moins une fois par trimestre) en cas de longue période d'entreposage.
- Vous pouvez recharger les piles à tout moment ; une décharge totale n'est pas nécessaire avant de les recharger à nouveau.
- Avant la première utilisation, vous devez insérer les piles fournies dans le casque et les charger entièrement (env. 7 h).

- Ouvrez le couvercle du compartiment à piles. Maintenez fermement le dos de l'écouteur droit (21) et tournez doucement le coussinet droit dans le sens inverse des aiguilles d'une montre. (fig. 5)
- Insérez les deux piles AAA/LR03 fournies dans le compartiment à piles en respectant la polarité. Fermez correctement le compartiment à piles en insérant l'oreillette et en la tournant dans le sens des aiguilles d'une montre jusqu'à ce qu'elle s'enclenche de manière audible. (fig. 5)

### 7.3 Charge du casque audio

- Pour charger le casque, veuillez tout d'abord le mettre sous tension en appuyant sur la touche **POWER (19)** pendant env. 2 secondes (fig. 6). Le témoin LED rouge s'allume.
- Mettez l'émetteur sous tension à l'aide de la touche **POWER (11)**, puis patientez jusqu'à ce que l'écran (9) passe en mode "Auxiliary Input" (entrée auxiliaire).
- Placez les contacts de charge (22) du casque sur les contacts de charge (1) de l'émetteur.
- La charge démarre automatiquement dès que les contacts de charge de l'émetteur et du casque sont connectés et la LED de charge **CHARGE (2)** de l'émetteur s'allume en vert.. L'appareil passe alors automatiquement en mode veille.
- La LED de charge verte (2) s'éteint une fois la charge terminée.

## 8.0 Fonctionnement

### 8.1 Réception d'une source audio externe

#### Mise sous tension de l'émetteur

- Mettez l'appareil de lecture (composant TV ou audio) auquel votre émetteur est connecté sous tension. Réglez tout d'abord le volume à env. 30-40 % du volume maximal afin d'éviter tout dommage auditif lors de l'installation.
- Appuyez sur la touche **POWER (11)** pendant une seconde afin de mettre l'émetteur sous tension. La LED d'état **Power (11)** s'allume en bleu. La LED d'état **INPUT (10)** (entrée) se met à clignoter en bleu (affichage **Auxiliary Input** – entrée auxiliaire).
- La LED d'état **INPUT (10)** (entrée) cesse de clignoter et reste allumée en bleu dès qu'un signal audio est reçu.
- L'émetteur passe automatiquement en mode veille au bout d'env. 5 minutes dans le cas où aucun signal audio n'est reçu. La LED d'état **Power (11)** s'allume en rouge.
- Vous pouvez également utiliser ultérieurement la touche **POWER (23)** de la télécommande. Veuillez toutefois noter que, dans ce cas, l'émetteur doit se trouver en mode veille. La LED d'état **Power (11)** s'allume en rouge.

### Mise sous tension du casque / du récepteur

#### Avertissement – relatif au volume

- L'utilisation du produit limite votre perception des bruits ambiants. N'utilisez donc pas le produit lorsque vous conduisez un véhicule ou faites fonctionner une machine.
- Maintenez en permanence un niveau de volume raisonnable. Un volume excessif - même à courte durée - est susceptible d'endommager votre ouïe.



- Mettez le casque sous tension en maintenant la touche **POWER (19)** enfoncée pendant environ 2 secondes. La **LED d'état Power (fig. 6)** s'allume en rouge, puis passe au vert dès qu'une connexion de signal est établie entre l'émetteur et le casque. La LED continue à briller en rouge dans le cas où aucun signal audio n'est détecté.

#### Remarque concernant le couplage / la synchronisation entre l'émetteur et le récepteur

- Une LED allumée en rouge en permanence signifie que l'émetteur et le récepteur doivent être synchronisés entre eux. Pour synchroniser les appareils, mettez l'émetteur hors tension à l'aide de la touche **POWER (11)** ainsi que le casque à l'aide de la touche **POWER (19)**. Aucune LED n'est allumée sur l'émetteur ou le casque. Appuyez alors sur la touche **POWER (19)** du casque jusqu'à ce que la LED d'état de mise sous tension clignote en vert (env. 5 secondes). Appuyez, dans les 15 secondes, sur la touche **POWER (11)** de l'émetteur. Un signal acoustique retentit en cas de synchronisation conforme (couplage).
- Vous devriez entendre le son de l'appareil de lecture (téléviseur, etc.) uniquement sur le casque en cas de synchronisation conforme.
- Réglez l'arceau et mettez le casque.
- Réglez le volume souhaité à l'aide du bouton de **réglage du volume (18)** situé sur le casque.

#### Remarque

- Afin d'obtenir la meilleure lecture possible, baissez tout d'abord le volume du casque (18) puis réglez le volume de l'appareil de lecture (téléviseur, etc.) à environ 70-80 %. Ajustez ensuite le **volume (18)** du casque en fonction du volume souhaité. Ce réglage est important en cas d'entrée analogique (sortie casque du téléviseur, etc.).
- La LED **Power (fig. 6)** du casque clignote en rouge en cas de batterie du casque faible. Un signal sonore supplémentaire retentit cinq minutes avant la mise hors tension automatique : un signal sonore par minute pendant les quatre dernières minutes et deux signaux pendant la dernière minute. Le casque s'éteint ensuite automatiquement.

## Remarque

- Le casque se met en sourdine et la LED s'allume en rouge en cas de dysfonctionnement ou de mauvaise réception.
- Ce casque peut également être utilisé en tant que casque filaire traditionnel : vous devez alors connecter la fiche de sortie casque de votre appareil de lecture - avec un câble audio analogique (**contenu de l'emballage #31**) - à la fiche jack stéréo 3,5mm du casque (**20**). Respectez à cet effet les indications techniques relatives à la sortie audio / casque mentionnées dans le mode d'emploi de votre appareil de lecture ou demandez de l'aide à un spécialiste en cas de doutes.
- Le casque se met hors tension (la LED d'état Power s'allume en rouge) et l'émetteur passe en mode veille (la LED d'état Power (11) s'allume en rouge) si vous placez le casque sur les contacts de charge (1) pendant son fonctionnement. Simultanément, la connexion radio s'interrompt, le casque passe en mode de charge (CHARGE) et la LED d'état s'allume en vert.
- L'émetteur se réactive automatiquement, la LED d'état Power (11) s'allume en bleu et la LED d'état Power (fig. 6) du casque s'allume en vert dès qu'un signal audio est à nouveau détecté (et dès que le casque ne repose plus sur les contacts de charge).

## 8.2 Réception et lecture de radio DAB+

### Remarque concernant une réception optimale

Ce produit dispose d'une antenne télescopique (fig. 3) permettant la réception via DAB+ et UKW.

Veillez noter :

- déployez toujours l'antenne entièrement.
- Nous recommandons de placer l'antenne à la verticale afin de garantir une réception optimale.
- L'intensité du signal varie dans de nombreux cas en fonction de l'emplacement de l'antenne. Un emplacement à proximité d'une fenêtre améliore souvent la réception.
- Appuyez sur la touche **INPUT** (entrée) de l'émetteur (**10**) jusqu'à activation du mode DAB - ou sur la touche **INPUT** (entrée) (**24**) de la télécommande.
- L'appareil effectue une recherche automatique de stations lors de la première installation. Vous pouvez également appuyer sur la touche **INFO** (**6**) afin de lancer une recherche automatique des stations (**Scanning**).
- Appuyez sur la touche **TUNE+** (**5**) ou **TUNE -** (**8**) et maintenez-la enfoncée afin d'afficher une liste des stations disponibles.
- Appuyez sur la touche **TUNE +** (**5**) ou **TUNE -** (**8**) afin de sélectionner une station de la liste de stations (alternative : appuyez sur la touche **TUNE +** ou **TUNE -** (**24**) de la télécommande).
- Confirmez votre sélection en appuyant sur la touche Info (**6**) ou attendez jusqu'à ce que la station commute automatiquement.

- Pour affecter les touches de programmation de sélection rapide **M1 à M3**, maintenez l'une des touches de favoris enfoncée (**4**) pendant la lecture de la station que vous souhaitez affecter à cette touche.
- Appuyez sur la touche **M SET** (**7**) afin d'afficher ou sauvegarder votre liste entière de favoris. Sélectionnez au préalable les stations à enregistrer, puis appuyez sur la **touche M SET** (**7**). Recherchez un emplacement de sauvegarde vide à l'aide des touches **TUNE +/-** : "**Preset Store (Empty)**" (emplacement de préréglage (vide)). La station sera automatiquement sauvegardée à cet emplacement.
- Appuyez plusieurs fois sur la touche **INFO** (**6**) pour obtenir des informations supplémentaires DAB+ relatives à la station (informations de programme, fréquence DAB+, infos de signal, qualité de transmission, heure, date, intensité du signal de l'émetteur, etc.).  
**Remarque :** l'affichage de l'intensité du signal d'un émetteur DAB+ faible peut être utile pour le positionnement de l'antenne courte ou pour le positionnement de la station émettrice.

## 8.3 Réception et lecture de radio UKW

- Appuyez plusieurs fois sur la touche **INPUT** (entrée) (**10**) jusqu'à activation du mode FM (réception UKW) - ou sur la touche **INPUT** (entrée) (**24**) de la télécommande.
- Appuyez sur la touche **TUNE +** (**5**) ou **TUNE -** (**8**) et maintenez-la enfoncée pour que le balayage automatique détecte la prochaine station bénéficiant d'une bonne réception. Vous pouvez également régler manuellement une fréquence d'émission connue en appuyant brièvement les touches **TUNE +** (**5**) ou **TUNE -** (**8**). Ce réglage est également possible avec la touche **TUNE+/-** (**24**) de la télécommande.
- Vous pouvez alors sauvegarder la fréquence d'émission afin de sauvegarder la station souhaitée.
- Pour affecter les touches de programmation de sélection rapide **M1 à M3**, maintenez l'une des touches de favoris enfoncée (**4**) pendant la lecture de la station que vous souhaitez affecter à cette touche.
- Appuyez sur la touche **M SET** (**7**) afin d'afficher ou sauvegarder votre liste entière de favoris. Sélectionnez au préalable les stations que vous désirez sauvegarder, puis appuyez sur la touche **M SET** (**7**). Recherchez un emplacement de sauvegarde vide à l'aide des touches **TUNE +/-** : "**Preset Store (Empty)**" (emplacement de préréglage (vide)). La station sera automatiquement sauvegardée à cet emplacement. Le numéro de l'emplacement apparaît alors en haut à gauche de l'écran LCD (9) (P4, par exemple).
- Appuyez plusieurs fois sur la touche **INFO** (**6**) afin d'obtenir des informations RDS supplémentaires relatives à la station (informations de programme, fréquence, stéréo/mono, heure, date, etc.).

## 8.4 Paramètres généraux et paramètres système

- Appuyez sur la touche **POWER** (**11**) de l'émetteur pendant une seconde afin de le mettre sous tension.
- Appuyez plusieurs fois sur la touche **INPUT** (entrée) (**10**) jusqu'à affichage du mode **AUX-IN**.
- Appuyez sur la touche **INFO** (**6**) et maintenez-la enfoncée pendant env. 2-3 secondes jusqu'à ce que "**System**" apparaisse dans le menu LCD.

- Appuyez sur la touche **TUNE + (5)** ou **TUNE – (8)** afin de sélectionner votre réglage. Confirmez votre saisie à l'aide de la touche **INFO (6)**. Terminez vos saisies / modifications en appuyant sur la touche **INPUT (10)**.

- Les options de menu suivantes sont disponibles :

### Heure (réglages de la date et de l'heure)

Confirmez votre sélection en appuyant sur la touche Info (6). Vous pouvez régler successivement les informations suivantes : Set Time/Date (réglage heure / date)  
Auto Update (mise à jour automatique)  
Set 12/24 hour (format horaire 12 ou 24 heures)  
Set date format (format d'affichage de la date)

### Factory Reset (restauration des réglages d'usine)

Sélectionnez l'option de menu Factory Reset. Confirmez votre sélection en appuyant sur la touche **INFO (6)**. Appuyez sur la touche **Tune + (5)** ou **Tune – (8)** pour choisir entre YES (oui) et NO (non). Confirmez votre sélection en appuyant sur la touche **INFO (6)**.

### Mise à jour du logiciel

Mise à jour du logiciel uniquement pour le commerce spécialisé habilité

### Version SW (affichage de la version du logiciel)

Sélectionnez l'option de menu Version SW. Confirmez votre sélection en appuyant sur la touche INFO (6). La version actuelle du logiciel s'affiche à l'écran.

## 8.5 Recherche des pannes

### 8.5.1 Aucun son

- Assurez-vous que le bloc secteur est correctement raccordé à la prise murale et à la fiche d'alimentation de l'émetteur.
- Vérifiez que le casque est bien sous tension.
- Le casque n'est peut-être pas assez chargé : dans ce cas, rechargez entièrement les batteries.
- Assurez-vous que le téléviseur ou l'appareil audio que vous souhaitez utiliser est bien sous tension et en mode de et transmission.
- Le volume du casque est peut-être trop faible.
- Le signal audio est éventuellement trop faible. Augmentez le volume sur votre appareil de lecture.
- Assurez-vous que l'émetteur et le récepteur (casque audio) sont bien synchronisés entre eux (couplage) : cf. point 8.1.

### 8.5.2 Autres dysfonctionnements du son (interruption ou bruit indésirable)

- Assurez-vous que le volume du casque est bien réglé.
- Le casque est peut-être trop éloigné de l'émetteur.
- Le signal audio est éventuellement trop faible. Augmentez le volume sur votre appareil de lecture.
- Bruits indésirables : assurez-vous que le signal audio n'est pas trop faible (bruit de fond de votre appareil de lecture).

## 9. Soins et entretien

Nettoyez la balance uniquement à l'aide d'un chiffon non fibreux légèrement humide ; évitez tout détergent agressif.

## 10. Exclusion de garantie

La société Hama GmbH & Co. KG décline toute responsabilité en cas de dommages provoqués par une installation, un montage ou une utilisation non conformes du produit ou encore provoqués par un non respect des consignes du mode d'emploi et/ou des consignes de sécurité.

### 1^1. Service et assistance

En cas de question concernant le produit, veuillez vous adresser au service de conseil produits de Hama.

Ligne téléphonique directe : +49 9091 502-115 (allemand/anglais)

Vous trouverez ici de plus amples informations concernant l'assistance : [www.hama.com](http://www.hama.com)

## 12. Caractéristiques techniques

### Casque audio / émetteur

<b>Tension de service</b>	émetteur 5 V, 550 mA, casque audio : 2,4 V (2 batteries LR03/AAA NiMH)
<b>Distorsion</b>	< 1%
<b>Rapport bruit</b>	80 dB
<b>Portée</b>	30 mètres maxi à l'intérieur (selon la composition des murs)
<b>Plage de fréquence</b>	20 Hz – 20 kHz
<b>Puissance d'émission maxi émise</b>	6.82 dBm
<b>Gamme(s) de fréquences</b>	2406 – 2472 MHz

### Radio numérique

<b>Fréquence DAB</b>	174–240 MHz
<b>Nombre de stations en mémoire</b>	10
<b>DLS</b>	Dynamic Label Service (texte informatif relatif au programme de la station de radio)
<b>Formats DAB pris en charge</b>	MP2/AAC

## Radio UKW (FM)

Fréquence	87,5 – 108 MHz
Nombre de stations en mémoire	10
RDS	Radio Data System (informations supplémentaires relatives au programme de la station de radio)

### 13. Consignes de recyclage

#### Remarques concernant la protection de l'environnement:



Conformément à la directive européenne 2012/19/EU et 2006/66/CE, et afin d'atteindre un certain nombre d'objectifs en matière de protection de l'environnement, les règles suivantes doivent être appliquées: Les appareils électriques et électroniques ainsi que les batteries ne doivent pas être éliminés avec les déchets ménagers. Le pictogramme "picto" présent sur le produit, son manuel d'utilisation ou son emballage indique que le produit est soumis à cette réglementation. Le consommateur doit retourner le produit/la batterie usager aux points de collecte prévus à cet effet. Il peut aussi le remettre à un revendeur. En permettant enfin le recyclage des produits ainsi que les batteries, le consommateur contribuera à la protection de notre environnement. C'est un acte écologique.

### 15. Déclaration de conformité



Le soussigné, Hama GmbH & Co KG, déclare que l'équipement radioélectrique du type [00131989] est conforme à la directive 2014/53/UE. Le texte complet de la déclaration UE de conformité est disponible à l'adresse internet suivante:

[www.hama.com](http://www.hama.com) -> 00131989 -> Downloads.

Vielen Dank, dass Sie sich für ein Thomson Produkt entschieden haben!

Nehmen Sie sich Zeit und lesen Sie die folgenden Anweisungen und Hinweise zunächst ganz durch. Bewahren Sie diese Bedienungsanleitung anschließend an einem sicheren Ort auf, um bei Bedarf darin nachschlagen zu können. Sollten Sie das Gerät veräußern, geben Sie diese Bedienungsanleitung an den neuen Eigentümer weiter.

## 1. Erklärung von Warnsymbolen und Hinweisen

### Warnung

Wird verwendet, um Sicherheitshinweise zu kennzeichnen oder um Aufmerksamkeit auf besondere Gefahren und Risiken zu lenken.

### Hinweis

Wird verwendet, um zusätzlich Informationen oder wichtige Hinweise zu kennzeichnen.

## 2. Bedienungselemente und Anzeigen

### 2.1 Sender/Ladestation (Pic. 1)

1. Ladeaufnahme und Ladekontakte (verpolsicher)
2. Ladeanzeige-LED (**CHARGE**)
3. Kopfhörerhalter mit integrierter DAB+/UKW-Antenne

### Bedienelemente

4. Speichertasten Radio **M1-M3** (UKW oder DAB+)
5. Automatischer/manueller Suchlauf + (**TUNE +**)
6. Taste für Zusatzinformationen zum Radiosender (**INFO**)
7. Abruf von max. 10 Senderspeicher auf UKW oder DAB+ (**M-SET**)
8. Automatischer/manueller Suchlauf - (**TUNE -**)
9. Multifunktions-LCD-Display
10. Eingangswahltaste für DAB+, UKW, AUX-IN und Status LED (**INPUT**)
11. Ein-/Ausschalttaste und Status LED (**POWER**)

### Rückseitige Anschlüsse

12. Audio-Eingang Optisch (Digital)
13. Eingangswahlschalter: Optisch oder Analog
14. Audio-Eingang Cinch (Analog)
15. DAB+/UKW Radio Ausgang (Digital)
16. DAB+/UKW Radio Ausgang (Analog)
17. DC-Eingangsbuchse (Netzteil)

### 2.2 Kopfhörer/Funkempfänger (Pic. 1)

18. Lautstärkeregler +/-
19. Ein-/Ausschalter Kopfhörer mit Status LED
20. Direkter Audio-Line-In (Analog 3,5mm Stereoklinke)
21. Ohrmuschel Rechts als Batteriefachabdeckung (R)
22. Ladekontakte Kopfhörer (verpolsicher)

## Fernbedienung (Pic.2)

23. Power-Taste (Ein-/Ausschalter)
24. Steuerknöpfe Fernbedienung:
  - Automatischer/manueller Suchlauf + (**TUNE +**)
  - Automatischer/manueller Suchlauf - (**TUNE -**)
  - Stummschalten (**MUTE**)
  - Eingangswahltaste für DAB+, UKW, AUX-IN (**INPUT**)

**Rückseitig:** Batteriefachdeckel für 2x AAA/ LR03 Batterien (nicht im Lieferumfang enthalten)

## 3. Verpackungsinhalt

- diese Bedienungsanleitung
- 1 Funkkopfhörer WHP 5407 (Sender + Kopfhörer)
- 25. 2 x AAA NiMH Akkus (ausschließlich für den Kopfhörer)
- 26. 1 Audio Adapter 3,5mm/6,3mm
- 27. 1 optisches Lichtleiterkabel
- 28. 1 Audio-Adapter 3,5mm-Klinken-Kupplung – Cinch-Stecker
- 29. 1 Audio-Adapterkabel 3,5mm-Klinken-Stecker – Cinch-Stecker
- 30. 1 Audio-Verbindungskabel Cinch-Stecker – Cinch-Stecker
- 31. 1 Audio-Verbindungskabel 3,5mm-Klinken-Stecker – 3,5mm-Klinken-Stecker
- 32. 1 Netzteil (für die Ladestation)

## 4. Sicherheitshinweise

- Akkus und Batterien nie öffnen, beschädigen, verschlucken oder in die Umwelt gelangen lassen. Sie können giftige und umweltschädliche Schwermetalle enthalten.
- Verändern und/oder deformieren/erhitzen/zerlegen Sie Akkus/ Batterien nicht.
- Das Produkt ist für den privaten, nicht-gewerblichen Haushaltsgebrauch vorgesehen.
- Verwenden Sie das Produkt ausschließlich für den dazu vorgesehenen Zweck.
- Kinder sollten beaufsichtigt werden, um sicher zu stellen, dass sie nicht mit dem Produkt spielen.
- Benutzen Sie das Produkt nicht in Bereichen, in denen elektronische Geräte nicht erlaubt sind.
- Betreiben Sie das Produkt nur an einer dafür zugelassenen Steckdose. Die Netzsteckdose muss in der Nähe des Produktes angebracht und leicht zugänglich sein.
- Trennen Sie das Produkt mittels des Ein-/Ausschalters vom Netz – wenn dieser nicht vorhanden ist, ziehen Sie die Netzleitung aus der Steckdose.
- Verlegen Sie alle Kabel so, dass sie keine Stolpergefahr darstellen.
- Knicken und quetschen Sie das Kabel nicht.
- Lassen Sie das Produkt nicht fallen und setzen Sie es keinen heftigen Erschütterungen aus.
- Entsorgen Sie das Verpackungsmaterial sofort gemäß den örtlich gültigen Entsorgungsvorschriften.
- Nehmen Sie keine Veränderungen am Produkt vor. Dadurch verlieren sie jegliche Gewährleistungsansprüche.
- Verwenden Sie das Produkt nicht, wenn das Netzteil oder die Netzleitung beschädigt sind
- Versuchen Sie nicht, das Gerät selbst zu warten oder zu reparieren. Überlassen Sie jegliche Wartungsarbeit dem zuständigen Fachpersonal



- Öffnen Sie das Produkt nicht und betreiben Sie es bei Beschädigungen nicht weiter.
- Schützen Sie das Produkt vor Schmutz, Feuchtigkeit und Überhitzung und verwenden Sie es nur in trockenen Räumen.
- Betreiben Sie das Produkt nur bei einer Umgebungstemperatur von 5°C bis 40°C.
- Benutzen Sie das Produkt ausschließlich in Umgebungen, in denen die drahtlose 2,4 GHz-Funktechnologie gestattet ist.



### Warnung - Herzschrittmacher

- Die bei der Nutzung dieses Produktes fließenden Körperströme können die Funktion eines Herzschrittmachers beeinträchtigen.
- Das Produkt erzeugt magnetische Felder. Personen mit Herzschrittmacher sollten vor Benutzung dieses Produktes einen Arzt zu Rate ziehen, da die Funktion des Herzschrittmachers beeinträchtigt werden könnte.

## 5. Einführung

Dieser 2,4 GHz Digital Wireless Kopfhörer mit DAB+ und UKW Empfänger arbeitet mit der neuesten Funktechnik und ermöglicht es Ihnen reinen, kristallklaren Musik- oder TV-Sound im ganzen Haus zu genießen. Hierzu verbinden Sie den Sender ganz einfach mit der gewünschten Audio-Quelle. DVD-Player, CD-Player, TV Gerät, Fernseher, HiFi-Anlage, iPod oder Smartphone. Weiterhin haben Sie die Möglichkeit digitale Radioprogramme über DAB+ Standard und UKW Radiosignale an dem Kopfhörer direkt zu empfangen bzw. diese Radiosignale an eine weitere Quelle zu übertragen (z.B. Stereoanlage oder aktive Lautsprecher).

## 6. Hauptfunktionsmerkmale

- 2.4 GHz Digital Funktechnologie
- Automatische und digital codierte Kanalwahl der Funkübertragung
- Abschaltautomatik beendet die Übertragung, wenn kein Signal übermittelt wird (bzw. im Lademodus).
- Reichweite bis zu 10-15 m (je nach Umgebungsbedingungen), bis zu 30 m bei freier Sicht
- Sender als Kopfhörerstände mit Schutz gegen Verpolung beim Laden
- Analoge oder digitale Eingangs- und Ausgangswahl der Signale
- Smart Volume Memory (Speicherung der zuletzt eingestellten Lautstärke)
- Stummschaltung
- DAB+/UKW Radio mit drei direkten Favoritentasten am Sender speicherbar
- LED-Display für Anzeige der Radiosender und zusätzlicher Informationen bzw. Quellwahl
- Fernbedienung zu Steuerung von primären Eigenschaften
- Direkter Audio-Line-In (Kopfhörer passiv direkt an z.B. Smartphone/MP3 für mobile Nutzung)
- Auch als kabelgebundene Kopfhörer benutzbar

## 7. Inbetriebnahme

### 7.1 Sender anschließen

- Verbinden Sie das Netzteil mit einer ordnungsgemäß installierten und leicht zugänglichen Steckdose und der DC-Eingangsbuchse (17) des Senders.
- Verbinden Sie eines der beiliegenden Audiokabel (Cinch oder Optisches Lichtleiterkabel) mit den Audio-Eingängen [ANALOG] (14) oder [OPTICAL] (12) auf der Rückseite des Senders und dem entsprechenden Audio-Ausgang an Ihrem Wiedergabegerät (TV- oder Audioquelle).
- Stellen Sie den Eingangswahlschalter [SELECT] (13) auf den verwendeten Eingang (OPTICAL / ANALOG) ein.
- Wenn Sie die Radiosignale (DAB+ oder UKW) an ein weiteres Gerät nutzen wollen (z.B. Stereoanlage oder Aktive Lautsprecher) so haben Sie die Möglichkeit über den DAB-OUTPUT per Cinch (16) oder optischen Lichtleiterkabel (15) diese Signale weiter zu führen wie in Schema beschrieben (Pic. 4). Gegebenenfalls benötigen Sie hierzu noch weitere Anschlusskabel.

### 7.2 Akkus einlegen (Kopfhörer) (Pic. 5)



#### Warnung

- Beachten Sie unbedingt die korrekte Polarität (Beschriftung + und -) der Akkus und legen Sie diese entsprechend ein. Bei Nichtbeachtung besteht die Gefahr des Auslaufens oder einer Explosion der Akkus.
- Tiefentladen Sie Akkus/Batterien nicht.
- Verändern und/oder deformieren/erhitzen/zerlegen Sie Akkus/Batterien nicht.
- Schließen Sie Akkus/Batterien nicht kurz und halten Sie sie von blanken Metallgegenständen fern.
- Akkus und Ladestation sind aufeinander abgestimmt und dürfen nur in der ausgelieferten Kombination verwendet werden.



#### Hinweis – Akkus

- Achten Sie darauf, dass Ihr Gerät beim Akku-/Batteriewechsel ausgeschaltet ist.
- Laden Sie bei längerer Lagerung regelmäßig (mind. vierteljährig) nach.
- Akkus können jederzeit nachgeladen werden, eine vollständige Entladung vor dem Laden ist nicht notwendig.
- Vor der ersten Anwendung müssen Sie die mitgelieferten Akkus in den Kopfhörer einlegen und vollständig aufladen (ca. 7 h).
- Öffnen Sie die Batteriefachabdeckung. Dazu halten Sie Rückseite der rechten Hörmuschel (21) fest und drehen Sie das rechte Ohrpolster vorsichtig gegen den Uhrzeigersinn ab. (Pic. 5)
- Legen Sie die mitgelieferten zwei AAA-Akkus polrichtig in das Batteriefach ein. Schließen Sie das Batteriefach ordnungsgemäß durch Einsetzen und Drehen der Ohrmuschel im Uhrzeigersinn, bis diese spürbar einrastet. (Pic. 5)

### 7.3 Kopfhörer laden

- Schalten Sie dazu zuerst den Kopfhörer ein, indem Sie **POWER Taste (19)** für ca. 2 Sekunden gedrückt halten (**Pic. 6**). Dabei leuchtet das rote LED-Signal.
- Schalten Sie den Sender mittels der **POWER Taste (11)** ein und warten Sie bis das Display **(9)** auf „Auxiliary Input“ umschaltet.
- Hängen Sie den Kopfhörer mit den Ladekontakten **(22)** auf die Ladekontakte **(1)** des Senders.
- Der Ladevorgang startet automatisch und die Lade-LED **CHARGE (2)** des Senders leuchtet grün, sobald die Ladekontakte von Sender und Kopfhörer verbunden sind. Das Gerät schaltet hierbei nun automatisch in den Standby-Modus.
- Sobald der Ladevorgang abgeschlossen ist, erlischt die grüne Lade-LED **(2)**.

## 8.0 Betrieb

### 8.1 Externe Audioquelle empfangen

#### Einschalten des Senders

- Schalten Sie das Wiedergabegerät (TV- oder Audio-Komponente) ein, mit dem Ihr Sender verbunden ist. Stellen Sie zunächst die Lautstärke auf etwa 30-40% der maximalen Lautstärke ein, um Hörschäden bei der Einrichtung zu vermeiden.
- Drücken und halten Sie die **POWER Taste (11)** eine Sekunde lang, um den Sender einzuschalten. Die Status-LED **Power (11)** beginnt blau zu leuchten. Die Status-LED **INPUT (10)** beginnt blau zu blinken (Anzeige **Auxiliary Input**).
- Die Status-LED **INPUT (10)** leuchtet dauerhaft blau, sobald ein Audiosignal empfangen wird.
- Wird kein Audiosignal empfangen, schaltet der Sender nach ca. 5 min automatisch in den Standby-Modus. Die Status-LED **Power (11)** leuchtet rot.
- Alternativ können Sie später die **POWER Taste (23)** der Fernbedienung nutzen. Bitte hierbei beachten, dass der Sender sich im Standby befinden muss. Die Status LED **Power (11)** leuchtet rot.

#### Einschalten Kopfhörer/Empfänger



#### Warnung – Lautstärke

- Die Benutzung des Produktes schränkt Sie in der Wahrnehmung von Umgebungsgeräuschen ein. Bedienen Sie daher während der Benutzung keine Fahrzeuge oder Maschinen.
- Halten Sie die Lautstärke immer auf einem vernünftigen Niveau. Hohe Lautstärken können – selbst bei kurzer Dauer – zu Hörschäden führen.
- Schalten Sie den Kopfhörer ein, indem Sie die **POWER Taste (19)** für ca. 2 Sekunden gedrückt halten. Die **Status-LED Power (Pic. 6)** leuchtet rot auf und wechselt dann auf grün, sobald eine Signalverbindung zwischen Sender und Kopfhörer besteht. Wird kein Audio-Signal erkannt, bleibt die LED rot.



#### Hinweis Pairing/Abstimmung Sender/Empfänger

- Sollte die LED rot bleiben, müssen Sender und Empfänger aufeinander abgestimmt werden. Hierzu schalten Sie den Sender mit der **POWER Taste (11)** und den Kopfhörer mit der **POWER Taste (19)** ganz aus. Es leuchtet keine LED am Sender oder Kopfhörer. Drücken Sie nun am Kopfhörer die **POWER Taste (19)** bis die **Status-LED Power** grün blinkt (ca. 5 Sekunden). Drücken Sie innerhalb der nächsten 15 Sekunden die **POWER Taste (11)** am Sender. Bei erfolgreicher Abstimmung (Pairing) ertönt ein akustisches Signal.
- Das Wiedergabegerät (z.B. TV) sollte nach erfolgreicher Abstimmung nun über den Kopfhörer hörbar sein.
- Stellen Sie das Kopfband ein und setzen Sie den Kopfhörer auf.
- Stellen Sie mit dem **Lautstärkeregler (18)** am Kopfhörer die gewünschte Lautstärke ein.



#### Hinweis

- Um eine bestmögliche Wiedergabe zu erzielen, reduzieren Sie zunächst die Lautstärke des Kopfhörers **(18)** und stellen die Lautstärke des Wiedergabegerätes (z.B. TV) auf etwa 70-80% ein. Passen Sie anschließend die **Lautstärke (18)** am Kopfhörer Ihren Bedürfnissen an. Dies ist gerade bei analoger Eingangswahl wichtig (z.B. Kopfhörerausgang des TV).
- Bei niedrigem Ladezustand der Kopfhörer-Batterien blinkt die Power-LED (**Pic 6**) am Kopfhörer rot. Fünf Minuten vor dem automatischen Abschalten erklingt zusätzlich ein Warnton: Ein Ton pro Minute während der letzten vier Minuten und zwei Töne in der letzten Minute. Anschließend schaltet der Kopfhörer automatisch ab.



#### Hinweis

- Bei Störungen oder schlechtem Empfang schaltet der Kopfhörer auf stumm und die LED leuchtet rot.
- Dieser Kopfhörer kann auch als regulärer, kabelgebundener Kopfhörer verwendet werden, in dem Sie die Kopfhörer Ausgangsbuchse Ihres Wiedergabegerätes durch ein analoges Audiokabel (**Verpackungsinhalt #31**) mit der 3,5mm Stereoklinken-Buchse am Kopfhörer **(20)** verbinden. Beachten Sie dazu die technischen Angaben zum Audio-/Kopfhörerausgang in der Bedienungsanleitung Ihres Wiedergabegerätes oder fragen Sie bei Unklarheiten einen Fachmann.
- Wenn Sie den Kopfhörer während des Betriebes auf die Ladekontakte **(1)** stellen, schaltet sich der Kopfhörer ab (Status-LED Power leuchtet rot) und der Sender geht in den Standby-Modus (Status-LED-Power **(11)** leuchtet rot. Gleichzeitig wird die Funkverbindung unterbrochen und der Kopfhörer geht in den Lademodus (CHARGE) leuchtet grün.
- Sobald ein Audiosignal erneut erkannt wird (und der Kopfhörer von den Ladekontakten entnommen ist, schaltet sich der Sender automatisch wieder ein und die Status-LED Power **(11)** leuchtet blau bzw. der Kopfhörer leuchtet grün an der Status-LED Power **(Pic 6)**.

## 8.2 DAB+ Radio empfangen und wiedergeben

### Hinweis – optimaler Empfang

Dieses Produkt verfügt über eine Teleskopantenne (Pic. 3), welche den Empfang über DAB+ und UKW ermöglicht.

Beachten Sie:

- Ziehen Sie die Antenne immer vollständig aus.
- Für einen optimalen Empfang empfehlen wir die Antenne vertikal auszurichten.
- Die Signalstärke variiert in vielen Fällen in Abhängigkeit des Aufstellortes. Um den Empfang zu verbessern, wählen Sie einen Aufstellort in der Nähe eines Fensters.
- Drücken Sie die **INPUT** Taste am Sender (**10**) bis Sie sich im DAB-Modus befinden (alternativ die **INPUT** Taste (**24**) der Fernbedienung).
- Bei einer Erstinstallation erfolgt nun eine automatische Sendersuche oder alternativ die **INFO**-Taste (**6**) drücken um die automatische Sendersuche zu starten (**Scanning**)
- Drücken und halten Sie **TUNE+ (5)** bzw. **TUNE – (8)**, um eine Liste der verfügbaren Sender anzuzeigen zu lassen.
- Drücken Sie **TUNE + (5)** bzw. **TUNE – (8)**, um einen Sender aus der Senderliste auszuwählen (Alternativ Tasten **TUNE +** oder **TUNE - (24)** auf der Fernbedienung).
- Bestätigen Sie Ihre Wahl durch Drücken der Info-Taste (6) oder warten Sie ab bis der Sender automatisch umgestellt wird.
- Um die Schnellwahl Programmtasten **M1 bis M3** zu belegen, drücken und halten Sie eine der Favoritentasten (**4**) auf dem jeweiligen beliebigen Sender den Sie hierzu belegen wollen.
- Drücken Sie die **M Set-Taste (7)**, um Ihre vollständige Favoritenliste anzuzeigen zu lassen bzw. zu Speichern. Wählen Sie hierzu vorher zu speichernden Sender aus und drücken Sie die **M SET Taste (7)**. Suchen Sie mittels der **TUNE +/-** Tasten einen leeren Speicherplatz aus „**Preset Store (Empty)**“. Der Sender wird automatisch an diesem Programmplatz gespeichert.
- Um DAB+ Zusatzinformationen zum Sender zu erhalten, drücken sie die **INFO** Taste (**6**) mehrfach (z.B. Programminformationen, DAB+ Frequenz, Signalinfos, Übertragungsqualität, Uhrzeit, Datum Signalstärke des Senders usw.).  
**Hinweis:** Die Signalstärkeanzeige des schwächsten DAB+ Senders kann zur Ausrichtung der Stabantenne bzw. zur Positionierung der Sendestation behilflich sein.

## 8.3 UKW-Radio empfangen und wiedergeben

- Drücken Sie wiederholt die Input-Taste (**10**) bis Sie sich im FM-Modus (UKW Empfang) befinden (alternativ die **INPUT** Taste (**24**) der Fernbedienung).
- Drücken und halten Sie **TUNE + (5)** bzw. **TUNE- (8)**, um die automatische Sendersuche zum nächstliegenden Empfangs-starken Sender zu gelangen. Alternativ können Sie manuell durch kurzes drücken der Tasten **TUNE + (5)** bzw. **TUNE - (8)** eine gewünschte Sendefrequenz einstellen. Dies ist ebenfalls mit der Fernbedienung möglich über die **TUNE +/-** Tasten (**24**).

- Um die gewünschte Sender zu speichern können Sie nun die Sendefrequenz speichern.
- Um die Schnellwahl Programmtasten **M1 bis M3** zu belegen, drücken und halten Sie eine der Favoritentasten (**4**) auf dem jeweiligen beliebigen Sender den Sie hierzu belegen wollen.
- Drücken Sie die **M Set-Taste (7)**, um Ihre vollständige Favoritenliste anzuzeigen zu lassen bzw. zu Speichern. Wählen Sie hierzu vorher zu speichernden Sender aus und drücken Sie die **M SET Taste (7)**. Suchen Sie mittels der **TUNE +/-** Tasten einen leeren Speicherplatz aus „**Preset Store (Empty)**“. Der Sender wird automatisch an diesem Programmplatz gespeichert. Es erfolgt hierbei im LCD-Display (**9**) oben links die Programmplatznummer (z.B. P4).
- Um RDS Zusatzinformationen zum Sender zu erhalten, drücken sie die **INFO** Taste (**6**) mehrfach (z.B. Programminformationen, Frequenz, STEREO/MONO, Uhrzeit, Datum usw.).

## 8.4 Allgemeine bzw. Systemeinstellungen

- Drücken und halten Sie die **POWER**-Taste (**11**) des Senders eine Sekunde lang, um den Sender einzuschalten.
- Drücken Sie wiederholt die **INPUT**-Taste (**10**) bis Sie sich im Modus **AUX-IN** befinden.
- Drücken und halten Sie die **INFO**-Taste (**6**) für ca. 2-3 Sek. bis „**System**“ im LCD-Menü erscheint.
- Drücken Sie **TUNE + (5)** bzw. **TUNE - (8)**, um Ihre Einstellung zu wählen. Durch die **INFO**-Taste (**6**) bestätigen Sie Ihre jeweilige Eingabe. Mittels **INPUT**-Taste (**10**) beenden Sie Ihre Eingaben/Änderungen.
- Folgende Menüpunkte sind verfügbar:

### Time (Datum- und Uhrzeiteinstellungen)

Bestätigen Sie Ihre Wahl durch Drücken der Info-Taste (**6**).  
Stellen Sie die folgenden Informationen nacheinander ein:  
Set Time/Date (Uhrzeit/ Datum)  
Auto Update (automatische Aktualisierung)  
Set 12/24 hour (12/24-Stundenformat)  
Set date format (Format Datumsanzeige)

### Factory-Reset (Zurücksetzen auf Werkseinstellungen)

Wählen Sie den Menüpunkt Factory Reset  
Bestätigen Sie Ihre Wahl durch Drücken der **INFO**-Taste (**6**).  
Drücken Sie **Tune +(5)** bzw. **Tune – (8)**, um zwischen YES (Ja) und NO (Nein) zu wählen.  
Bestätigen Sie Ihre Wahl durch Drücken der **INFO**-Taste (**6**).

### Software Upgrade

Softwareaktualisierung nur für den autorisierten Fachhandel

### SW Version (Anzeige der Softwareversion)

Wählen Sie den Menüpunkt SW version.  
Bestätigen Sie Ihre Wahl durch Drücken der **INFO**-Taste (**6**).  
Die aktuelle Version der Software wird angezeigt.

## 8.5 Fehlersuche

### 8.5.1 Kein Ton

- Stellen Sie sicher, dass das Netzteil korrekt mit der Wandsteckdose und der Netzbuchse des Senders verbunden ist.
- Überprüfen Sie, ob der Kopfhörer eingeschaltet ist.
- Möglicherweise ist der Ladezustand des Kopfhörers zu gering, laden Sie bitte in diesem Fall die Akkus vollständig auf.
- Stellen Sie sicher, dass das gewünschte TV- oder Audiogerät eingeschaltet ist und wiedergibt.
- Möglicherweise ist die Lautstärke am Kopfhörer zu schwach eingestellt.
- Das Audiosignal ist evtl. zu niedrig. Erhöhen Sie die Lautstärke an Ihrem Wiedergabegerät.
- Stellen Sie sicher, dass Sender und Empfänger (Kopfhörer) aufeinander abgestimmt sind (Pairing) siehe Punkt 8.1

### 8.5.2 Andere Ton-Störungen (Aussetzer oder Rauschen)

- Stellen Sie sicher, dass die Lautstärke am Kopfhörer passend eingestellt ist.
- Möglicherweise ist der Kopfhörer zu weit vom Sender entfernt.
- Das Audiosignal ist evtl. zu niedrig. Erhöhen Sie die Lautstärke an Ihrem Wiedergabegerät.
- Rauschen: Stellen Sie sicher, dass Audiosignal nicht zu niedrig ist (Grundrauschen des Wiedergabegerätes).

## 9. Wartung und Pflege

Reinigen Sie dieses Produkt nur mit einem fusselfreien, leicht feuchten Tuch und verwenden Sie keine aggressiven Reiniger.

## 10. Gewährleistungsausschluss

Die Hama GmbH & Co. KG übernimmt keinerlei Haftung oder Gewährleistung für Schäden, die aus unsachgemäßem Installation, Montage und unsachgemäßem Gebrauch des Produktes oder einer Nichtbeachtung der Bedienungsanleitung und/oder der Sicherheitshinweise resultieren.

## 11. Service und Support

Bitte wenden Sie sich bei Fragen zum Produkt gerne an die Hama-Produktberatung.

Hotline: +49 9091 502-115 (Deu/Eng)

Weitere Supportinformationen finden sie hier: [www.hama.com](http://www.hama.com)

## 12. Technische Daten

### Kopfhörer/Sender

<b>Betriebsspannung</b>	Sender 5 V, 550 mA Kopfhörer 2,4 V (2x AAA NiMH)
<b>Verzerrung</b>	< 1%
<b>Rauschabstand</b>	80 dB
<b>Reichweite</b>	maximal 30 Meter innerhalb von Gebäuden (je nach Beschaffenheit der Wände)
<b>Frequenzbereich</b>	20 Hz – 20 kHz

<b>Max. abgestrahlte Sendeleistung</b>	6.82 dBm
<b>Frequenzband/ Frequenzbänder</b>	2406 – 2472 MHz

### Digital Radio

<b>DAB-Frequenz</b>	174–240 MHz
<b>Senderspeicher</b>	10
<b>DLS</b>	Dynamic Label Service (Programmbegleitende Textinformation des Radiosenders)
<b>Unterstützte DAB- Formate</b>	MP2/AAC

### UKW Radio (FM)

<b>Frequenz</b>	87,5 – 108 MHz
<b>Senderspeicher</b>	10
<b>RDS</b>	Radio Data System (Programmbegleitende Zusatzinformation des Radiosenders)

## 13. Entsorgungshinweise

### Hinweis zum Umweltschutz:



Ab dem Zeitpunkt der Umsetzung der europäischen Richtlinien 2012/19/EU und 2006/66/EG in nationales Recht gilt folgendes: Elektrische und elektronische Geräte sowie Batterien dürfen nicht mit dem Hausmüll entsorgt werden. Der Verbraucher ist gesetzlich verpflichtet, elektrische und elektronische Geräte sowie Batterien am Ende ihrer Lebensdauer an den dafür eingerichteten, öffentlichen Sammelstellen oder an die Verkaufsstelle zurückzugeben. Einzelheiten dazu regelt das jeweilige Landesrecht. Das Symbol auf dem Produkt, der Gebrauchsanleitung oder der Verpackung weist auf diese Bestimmungen hin. Mit der Wiederverwertung, der stofflichen Verwertung oder anderen Formen der Verwertung von Altgeräten/Batterien leisten Sie einen wichtigen Beitrag zum Schutz unserer Umwelt.

## 15. Konformitätserklärung

**CE** Hiermit erklärt die Hama GmbH & Co KG, dass der Funkanlagentyp [00131989] der Richtlinie 2014/53/EU entspricht. Der vollständige Text der EU-Konformitätserklärung ist unter der folgenden Internetadresse verfügbar:  
[www.hama.com](http://www.hama.com) -> 00131989 -> Downloads.

Grazie per avere acquistato un prodotto Thomson!

Prima della messa in esercizio, leggete attentamente le seguenti istruzioni e avvertenze, quindi conservatele in un luogo sicuro per una eventuale consultazione. In caso di cessione dell'apparecchio, consegnate anche le presenti istruzioni al nuovo proprietario.

## 1. Spiegazione dei simboli di avvertimento e delle indicazioni

### Attenzione

Viene utilizzato per contrassegnare le indicazioni di sicurezza oppure per rivolgere l'attenzione verso particolari rischi e pericoli.

### Avvertenza

Viene utilizzato per contrassegnare informazioni supplementari o indicazioni importanti.

## 2. Elementi di comando e indicazioni

### 2.1 Trasmettitore/ stazione di carica (fig. 1)

1. Carica e contatti di carica (polarità protetta)
2. Indicatore LED (**CHARGE**)
3. Porta-cuffie con antenna DAB+/UKW integrata

### Elementi di comando

4. Tasti memory radio **M1-M3** (UKW o DAB+)
5. Ricerca automatica/manuale + (**TUNE +**)
6. Tasti per ulteriori informazioni sull'emittente radio (**INFO**)
7. Segnale di max. 10 stazioni memorizzate su UKW o DAB+ (**M-SET**)
8. Ricerca automatica/manuale - (**TUNE -**)
9. Display LCD multifunzione
10. Tasti di selezione per DAB+, UKW, AUX-IN e LED di stato (**INPUT**)
11. Tasti on/off e LED di stato (**POWER**)

### Attacchi posteriori

12. Ingresso audio ottico (digitale)
13. Selettore ingresso: ottico o analogico
14. Ingresso audio RCA (analogico)
15. Uscita radio DAB+/UKW (digitale)
16. Uscita radio DAB+/UKW (analogico)
17. Presa d'ingresso DC (rete)

### 2.2 Cuffie/Ricevitore radio (fig. 1)

18. Regolatore del volume +/-
19. Tasto on/off per le cuffie con LED di stato
20. Ingresso audio diretto (jack stereo analogico da 3,5 mm)
21. Coperchio cuffia a destra per vano batterie (R)
22. Contati di carica cuffie (polarità protetta)

### Telecomando (fig. 2)

23. Tasto power (on/off)
24. Pulsanti di comando telecomando
  - Ricerca automatica/manuale + (**TUNE +**)
  - Ricerca automatica/manuale - (**TUNE -**)
  - Funzione mute (**MUTE**)
  - Tasti di selezione per DAB+, UKW, AUX-IN (**INPUT**)

**Parte posteriore:** Coperchio per il vano batterie 2x AAA/LR03 (non contenuto nella confezione)

## 3. Contenuto della confezione

- Queste istruzioni per l'uso
- 1 Cuffia radio WHP 5407 (trasmettitore + cuffie)
- 25. 2 x AAA NiMH batterie (solo per le cuffie)
- 26. 1 Adattatore audio 3,5mm/6,3mm
- 27. 1 Cavo a conduttore ottico
- 28. 1 Adattatore audio prese jack 3,5 mm – spina RCA
- 29. 1 Cavo audio per adattatore prese jack 3,5 mm – spina RCA
- 30. 1 Cavo audio di collegamento spina RCA – spina RCA
- 31. 1 Cavo audio di collegamento prese jack 3,5 mm – prese jack 3,5 mm
- 32. 1 Cavo di rete (per la stazione di carica)

## 4. Indicazioni di sicurezza

- Non aprire mai batterie o batterie ricaricabili, non danneggiarle, ingerirle, né disperderle nell'ambiente. Possono contenere metalli pesanti dannosi e tossici.
- Non modificare, né deformare, surriscaldare, smontare le batterie/le batterie ricaricabili.
- Il prodotto è concepito per l'uso domestico privato, non commerciale.
- Utilizzare il prodotto esclusivamente per lo scopo previsto.
- Sorvegliare i bambini per accertarsi che non giochino con l'apparecchio.
- Non utilizzare il prodotto in zone in cui non sono ammesse le apparecchiature elettroniche.
- Collegare il prodotto solo a una presa appositamente omologata. La presa deve trovarsi nei pressi del prodotto ed essere facilmente accessibile.
- Scollegare il prodotto dalla rete mediante l'interruttore on/off; se questo non è presente, estrarre il cavo di rete dalla presa.
- Disporre tutti i cavi in modo da non inciamparsi.
- Non piegare, né schiacciare il cavo.
- Non fare cadere il prodotto e non sottoporlo a forti scossoni!
- Smaltire immediatamente il materiale d'imballaggio attenendosi alle prescrizioni locali vigenti.
- Non apportare modifiche all'apparecchio per evitare di perdere i diritti di garanzia.
- Non utilizzare il prodotto se l'adattatore, il cavo di allacciamento o il cavo di rete sono danneggiati.
- Non tentare di aggiustare o riparare l'apparecchio da soli. Fare eseguire qualsiasi lavoro di riparazione al personale specializzato competente.
- Non aprire il prodotto e non utilizzarlo più se danneggiato
- Proteggere il prodotto da sporczia, umidità e surriscaldamento e utilizzarlo solo in ambienti asciutti.

- Utilizzare il prodotto solo con una temperatura ambiente da 5° C a 40°C.
- Usare il prodotto solo in ambienti in cui la tecnologia radio 2,4 GHz è permessa.



#### Attenzione – pacemaker

- Le correnti fisiche che scorrono durante l'utilizzo di questo prodotto possono compromettere il funzionamento di un pacemaker.
- Il prodotto genera campi magnetici. Prima dell'acquisto del prodotto, i portatori di pacemaker dovrebbero consultare il medico per evitare che l'utilizzo di questo articolo comprometta il funzionamento del pacemaker.

## 5. Introduzione

Queste cuffie digitali 2,4 GHz wireless con sintonizzatore DAB+ e UKW funzionano sulla base delle più avanzate tecnologie radio e permettono di apprezzare una riproduzione chiara e cristallina della musica e del suono della TV in tutta la casa. Collegare il trasmettitore alla sorgente audio desiderata. Lettore DVD, lettore CD, apparecchio TV, impianto HiFi, iPod o smartphone. Inoltre vi è la possibilità di ricevere direttamente sulle cuffie i programmi radio tramite i segnali standard DAB+ e UKW o di inviare questi segnali radio ad un'altra fonte (ad es. impianto stereo oppure altoparlanti attivi).

## 6. Caratteristiche principali

- Tecnologia radio digitale 2.4 GHz
- Selezione dei canali automatica e digitale della riproduzione radio
- Spegnimento automatico, interrompe la trasmissione quando non viene trasmesso alcun segnale (ad es. in modalità di carica).
- Portata fino a 10-15 metri (in base alle condizioni ambiente), sino a 30 metri in buone condizioni
- Stazione come supporto cuffie con protezione di polarità durante la carica
- Selezione analogica e digitale dei segnali di entrata e uscita
- Smart Volume Memory (memorizzazione del volume selezionato per ultimo)
- Modalità Mute
- Radio DAB+/UKW con tre interruttori per memorizzare i programmi sul trasmettitore
- Display LED per l'indicazione dell'emittente radio e ulteriori informazioni o fonte della selezione
- Telecomando per selezionare le caratteristiche principali
- Audio-Line-In diretto (cuffie passive dirette per ad es. Smartphone/MP3 per uso mobile)
- Utilizzabili anche come cuffie con filo

## 7. Messa in esercizio

### 7.1 Collegamento del trasmettitore

- Collegare il cavo di rete a una presa elettrica installata correttamente e facilmente accessibile e alla presa d'entrata DC (17) del trasmettitore.

- Collegare uno dei succitati cavi audio (RCA o fibre ottiche) agli ingressi audio [ANALOG] (14) oppure [OPTICAL] (12) che si trovano sul retro del trasmettitore e alla relativa uscita audio del dispositivo di riproduzione (TV o sorgente audio).
- Impostare l'interruttore d'ingresso [SELECT] (13) sull'ingresso utilizzato [OPTICAL / ANALOG].
- Se si desidera utilizzare i segnali radio (DAB+ o UKW) con un altro apparecchio (ad es. impianto stereo o altoparlanti attivi), è possibile inviare questi con DAB-OUTPUT tramite la spina RCA (16) oppure con il cavo a conduttore ottico (15) come descritto nello schema (fig. 4). Se del caso saranno necessari ulteriori cavi di collegamento.

### 7.2 Inserimento batterie (cuffie) (Fig. 5)



#### Attenzione

- Osservare sempre la corretta polarità (dicitura + e -) delle batterie e inserirle di conseguenza. La mancata osservanza comporta la perdita di potenza o il rischio di esplosione delle batterie.
- Non scaricare mai completamente le batterie/le batterie ricaricabili.
- Non modificare, né deformare, surriscaldare, smontare le batterie/le batterie ricaricabili.
- Non cortocircuitare le batterie e tenerle lontano da oggetti metallici.
- Le batterie e la stazione di carica sono stati realizzati per combaciare perfettamente e possono essere utilizzati solo insieme.



#### Avvertenza – batterie

- Sostituire l'accumulatore/la batteria solo quando l'apparecchio è spento.
- In caso di lungo inutilizzo, ricaricare regolarmente (almeno una volta ogni tre mesi).
- Gli accumulatori possono essere ricaricati in qualsiasi momento senza scaricarli completamente.
- Prima del primo utilizzo bisogna montare le batterie nelle cuffie e caricarle completamente (circa 7 h).
- Aprire il coperchio del vano batterie. Mantenere fermo il retro della cuffia destra (21) e ruotare il relativo cuscinetto in senso anti orario. (Fig. 5)
- Inserire le batterie in dotazione AAA nel vano batterie in base al senso corretto dei poli. Chiudere correttamente il vano batterie inserendo e ruotando correttamente in senso orario la cuffia destra. (Fig. 5)

### 7.3 Caricamento delle cuffie

- Accendere dapprima le cuffie premendo il tasto POWER (19) per ca. 2 secondi (Fig. 6). Facendo così il segnale LED rosso si illumina.
- Accendere il trasmettitore con il tasto POWER (11) e aspettare fino a che il display (9) cambi su „Auxiliary Input“.

- Agganciare le cuffie ai contatti di carica (22) ai contatti di carica del trasmettitore (1).
- Il processo di carica si attiva automaticamente e l'indicatore LED CHARGE (2) del trasmettitore diventa verde non appena il contatto di carica del trasmettitore e le cuffie sono collegati correttamente. L'apparecchio va automaticamente nella modalità di standby quando:
- Il processo di carica è terminato e si spegne il LED verde (2).

## 8.0 Funzionamento

### 8.1 Ricezione fonti audio esterne

#### Accensione del trasmettitore

- Accendere il dispositivo di riproduzione (TV o altri dispositivi audio) con il trasmettitore collegato. Impostare il volume a circa 30-40% del volume massimo. In questo modo si evitano danni all'udito.
- Per accedere il trasmettitore, premere e tenere premuto il tasto POWER (11) per 1 secondo. Il LED di stato Power (11) si accende con luce blu. Il LED di stato INPUT (10) inizia a lampeggiare in blu (indicazione Auxiliary Input).
- Nel momento in cui si riceve un segnale radio, il LED di stato INPUT (10) resta acceso in blu.
- Se non si riceve alcun segnale radio, il trasmettitore passa dopo ca. 5 min. automaticamente alla modalità stand-by. Il LED di stato Power (11) si accende in rosso.
- In alternativa si può in un secondo tempo utilizzare il tasto POWER (23) del telecomando. Fare attenzione che il trasmettitore non si trovi in modalità stand-by. Il LED di stato Power (11) si accende in rosso.

#### Accensione cuffie/trasmettitore



#### Attenzione – Volume

- L'utilizzo del prodotto limita la percezione dei rumori ambientali. Perciò, durante l'utilizzo, non manovrare veicoli o macchine.
- Regolare il volume su un livello adeguato. Il volume troppo forte può causare danni all'udito, anche per breve durata.
- Accendere le cuffie premendo e tenendo premuto il tasto POWER (19) per ca. 2 secondi. Il LED di stato Power (fig. 6) si accende in rosso e poi passa al verde non appena si ha il collegamento del segnale tra il trasmettitore e le cuffie. Se non viene rilevato alcun segnale audio il LED rimane acceso in rosso.



#### Nota pairing/acoppiamento trasmettitore/ricevitore

- Se i LED restano rossi, è necessario accoppiare il trasmettitore e ricevitore. Per fare ciò spegnere il trasmettitore con il tasto POWER (11) e le cuffie con il tasto POWER (19). Non c'è nessun LED acceso sia sul trasmettitore che sulle cuffie. Premere ora sulle cuffie il tasto POWER (19) fino a che il LED di stato inizia a lampeggiare in verde (ca. 5 secondi). Nei 15 secondi successivi premere sul trasmettitore il tasto POWER (11). Se l'accoppiamento è riuscito (pairing) si sentirà un segnale acustico.
- L'apparecchio di riproduzione (ad es la TV) si dovrebbe sentire tramite le cuffie grazie all'accoppiamento.
- Regolare le cuffie e indossarle normalmente.
- Regolare il volume desiderato con il regolatore (18) delle cuffie.



#### Avvertenza

- Per ottenere la migliore riproduzione possibile, abbassare dapprima il volume delle cuffie (18) e impostare il volume dell'apparecchio di riproduzione (ad es la TV) al 70-80%. Regolate quindi a piacere il volume (18) delle cuffie. Ciò è particolarmente importante nella selezione di entrata analogica (ad es. uscita cuffie TV).
- Se l'autonomia delle batterie delle cuffie è bassa il LED Power (fig. 6) diventa rosso. Cinque minuti prima dello spegnimento automatico si sentirà un segnale acustico: un suono per ogni minuto durante gli ultimi quattro minuti e due suoni nell'ultimo minuto. Infine le cuffie si spengono automaticamente.



#### Avvertenza

- In caso di anomalie o cattiva ricezione le cuffie vanno in modalità mute e si accende il LED rosso.
- Queste cuffie si possono usare anche come normali cuffie con fili, basta collegare la presa di uscita per le cuffie dell'apparecchio di riproduzione con un cavo audio analogico (contenuto nella confezione #31) con la presa RCA 3,5mm sulle cuffie (20). Fare attenzione alle indicazioni tecniche riguardanti l'uscita audio/cuffie riportate nelle istruzioni dell'apparecchio di riproduzione o in caso di dubbio chiedere il consiglio di un esperto.
- Se durante il funzionamento si mettono le cuffie sui contatti di carica (1), le cuffie si spengono (il LED di stato Power si illumina in rosso) e il trasmettitore passa alla modalità stand-by (LED di stato Power (11) si illumina in rosso). Allo stesso tempo si interrompe il collegamento radio e le cuffie passano alla modalità di carica (CHARGE) e si illumina la luce verde.
- Non appena un segnale radio viene riconosciuto (e le cuffie non sono più sui contatti di carica) il trasmettitore si riaccende automaticamente e il LED di stato Power (11) si accende in blu oppure sulle cuffie si accende in verde il LED di stato Power (fig.6).

## 8.2 Ricezione e riproduzione radio DAB+

### Nota – ricezione ottimale

Questo prodotto è fornito di antenna telescopica (fig. 3), che permette la ricezione tramite DAB+ e UKW

Importante:

- Estrarre sempre completamente l'antenna.
  - Per una ricezione ottimale, consigliamo di orientare l'antenna perpendicolarmente.
  - In molti casi l'intensità del segnale varia a seconda del luogo d'installazione. Per migliorare la ricezione, scegliere un luogo d'installazione vicino a una finestra.
  - Premere il tasto **INPUT** sul trasmettitore (**10**) sino a selezionare la modalità DAB (in alternativa usare il tasto **INPUT (24)** del telecomando).
  - Nel caso della prima messa in funzione ci sarà una ricerca automatica delle emittenti o in alternativa premere il tasto **INFO (6)** per iniziare la ricerca automatica (**Scanning**)
  - Per visualizzare un elenco delle emittenti disponibili, premere e tenere premuto **TUNE+ (5)** o **TUNE – (8)**.
  - Per selezionare una delle emittenti sull'elenco, premere **TUNE + (5)** o **TUNE – (8)**, (in alternativa premere **TUNE + o TUNE - (24)** sul telecomando).
  - Effettuare la selezione premendo il tasto Info (6) oppure aspettare sino a che l'emittente venga selezionata automaticamente.
  - Per impostare il tasto di programma per la selezione veloce **M1 a M3**, premere e tenere premuto uno dei tasti dei programmi preferiti (**4**) sull'emittente che si desidera programmare.
  - Premere il tasto di selezione **M (7)**, per visualizzare completamente e per memorizzare l'elenco dei preferiti. Selezionare dapprima l'emittente da memorizzare e premere il tasto **M SET (7)**. Cercare con gli interruttori **TUNE +/-** un posizione libera per la memorizzazione „Preset Store (vuoto)”. L'emittente verrà memorizzata automaticamente in questa posizione.
  - Per ottenere ulteriori informazioni DAB+ sull'emittente, premere ripetutamente il tasto **INFO (6)** (ad es. informazioni sul programma, frequenza DAB+, informazioni sul segnale, qualità del programma, ora, data intensità del segnale dell'emittente ecc.).
- Nota:** L'indicazione dell'intensità del segnale delle emittenti DAB+ più deboli può aiutare nel trovare la posizione giusta per l'antenna.

## 8.3 Ricezione e riproduzione radio UKW

- Premere ripetutamente il tasto input (**10**) sino a selezionare la modalità FM (ricezione UKW), (in alternativa premere il tasto **INPUT (24)** del telecomando).
- Per andare all'emissione più forte e più vicina con la modalità della ricerca automatica, premere e tenere premuto **TUNE + (5)** o **TUNE- (8)**. In alternativa premendo brevemente i tasti **TUNE + (5)** o **TUNE - (8)** è possibile impostare manualmente la frequenza di emissione desiderata. Ciò è anche possibile con il telecomando con i tasti **TUNE+/- (24)**.
- Per memorizzare l'emittente desiderata è ora possibile memorizzarne la frequenza.

- Per impostare il tasto di programma per la selezione veloce **M1 a M3**, premere e tenere premuto uno dei tasti dei programmi preferiti (**4**) sull'emittente che si desidera programmare.
- Premere il tasto di selezione **M (7)**, per visualizzare completamente l'elenco dei preferiti e per memorizzarlo. Selezionare dapprima l'emittente da memorizzare e premere il tasto **M SET (7)**. Cercare con i tasti **TUNE +/-** un posizione libera per la memorizzazione „Preset Store (vuoto)”. L'emittente verrà memorizzata automaticamente in questa posizione. Quindi nel display LCD (**9**) apparirà in alto a sinistra il numero della posizione del programma (ad es. P4).
- Per ottenere ulteriori informazioni RDS Zusatzinformationen sull'emittente, premere ripetutamente il tasto **INFO (6)** (ad es. informazioni sul programma, frequenza, STEREO/MONO, ora, data ecc.).

## 8.4 Impostazioni generali e di sistema

- Per accedere al programma, premere e tenere premuto il tasto **POWER (11)** per 1 secondo.
- Premere ripetutamente il tasto **INPUT (10)** sino ad arrivare alla modalità **AUX-IN**.
- Premere e tenere premuto il tasto **INFO (6)** per ca. 2-3 sec. fino a che appaia „System” nel menu LCD.
- Per selezionare l'impostazione premere **TUNE + (5)** o **TUNE - (8)**. Con il tasto **INFO (6)** si conferma la rispettiva selezione. Con il tasto **INPUT (10)** si termina la selezione/modifica.
- Sono disponibili i seguenti punti del menu:

### Ora (Impostazione dell'ora e della data)

Confermare la selezione premendo il tasto Info (**6**).

Impostare in sequenza le seguenti informazioni:

impostare Time/Date (ora, data)

auto update (aggiornamento automatico)

impostare 12/24 h (formato 12/24)

impostare formato data (impostazione data)

### Ripristino delle impostazioni di fabbrica (reset)

Selezionare la voce di menu "Ripristino impostazioni di fabbrica".

Confermare la selezione premendo il tasto **INFO (6)**.

Premere **Tune +(5)** o **Tune – (8)**, per selezionare YES (si) e NO (no).

Confermare la selezione premendo il tasto **INFO (6)**.

### Aggiornamento del software

Aggiornamento software solo tramite concessionari autorizzati

### Versione SW (Visualizzazione della versione software)

Selezionare la voce di menu "versione SW".

Confermare la selezione premendo il tasto **INFO(6)**.

Viene visualizzata la versione attuale del software.



## 8.5 Ricerca guasti

### 8.5.1 Nessun audio

- Assicurarsi che la spina del cavo di rete sia inserita correttamente nella presa e che il trasmettitore sia collegato correttamente.
- Assicurarsi che la cuffia sia accesa.
- Probabilmente l'autonomia delle cuffie è troppo bassa e quindi attendere che le batterie si carichino completamente.
- Assicurarsi che la TV o la sorgente audio desiderata siano accesi.
- Possibilmente il volume delle cuffie è troppo basso.
- Il segnale audio è forse troppo basso. Adeguare il volume al proprio riproduttore.
- Assicurarsi che trasmettitore e il ricevitore (cuffie) siano accoppiate (pairing) vedi punto 8.1

### 8.5.2 Altri interferenze audio (interruzione del suono o fruscio)

- Assicurarsi che il volume sulle cuffie sia impostato correttamente.
- Probabilmente le cuffie sono troppo lontane dal trasmettitore.
- Il segnale audio è forse troppo basso. Adeguare il volume al proprio riproduttore.
- Fruscio: Assicurarsi che il segnale audio non sia troppo debole (fruscio dell'apparecchio di riproduzione.)

## 9. Cura e manutenzione

Pulire questo prodotto solo con un panno umido e che non lascia pelucchi e non utilizzare mai detersivi aggressivi.

## 10. Esclusione di garanzia

Hama GmbH & Co.KG non si assume alcuna responsabilità per i danni derivati dal montaggio o l'utilizzo scorretto del prodotto, nonché dalla mancata osservanza delle istruzioni per l'uso e/o delle indicazioni di sicurezza.

## 11. Assistenza e supporto

In caso di domande sul prodotto, rivolgersi alla Consulenza prodotto Hama.

Hotline: +49 9091 502-115 (ted./ing.)

Ulteriori informazioni sul supporto sono disponibili qui:

[www.hama.com](http://www.hama.com)

## 12. Dati tecnici

### Cuffie/Trasmettitore

Tensione di esercizio	Trasmettitore 5V, 550 mA, cuffie: 2,4V (2xAAA NiMH)
Distorsione	< 1%
Rapporto segnale/rumore	80 dB
Portata	max 30 metri all'interno degli edifici (in base alla struttura delle pareti)
Gamma di frequenza	20 Hz – 20 kHz

Potenza max. del segnale trasmesso	6.82 dBm
Gamma di frequenza/gamme di frequenza	2406 – 2472 MHz

### Radio Digitale

Frequenza DAB	174–240 MHz
Memoria emittenti	10
DLS	Dynamic Label Service (Testi supplementari di informazione sull'emittente radio)
Formati DAB supportati	MP2/AAC

### Radio UKW (FM)

Frequenza	87,5 – 108 MHz
Memoria emittenti	10
RDS	Radio Data System (Testi supplementari di informazione sull'emittente radio)

## 13. Indicazioni di smaltimento

### Informazioni per protezione ambientale:



Dopo l'implementazione della Direttiva Europea 2012/19/EU e 2006/66/EU nel sistema legale nazionale, ci sono le seguenti applicazioni: Le apparecchiature elettriche ed elettroniche e le batterie non devono essere smaltite con i rifiuti domestici. I consumatori sono obbligati dalla legge a restituire i dispositivi elettrici ed elettronici e le batterie alla fine della loro vita utile ai punti di raccolta pubblici preposti per questo scopo o nei punti vendita. Dettagli di quanto riportato sono definiti dalle leggi nazionali di ogni stato. Questo simbolo sul prodotto, sul manuale d'istruzioni o sull'imballo indicano che questo prodotto è soggetto a queste regole. Riciclando, ri-utilizzando i materiali o utilizzando sotto altra forma i vecchi prodotti/le batterie, darete un importante contributo alla protezione dell'ambiente.

## 14. Dichiarazione di conformità



Il fabbricante, Hama GmbH & Co KG, dichiara che il tipo di apparecchiatura radio [00131989] è conforme alla direttiva 2014/53/UE. Il testo completo della dichiarazione di conformità UE è disponibile al seguente indirizzo Internet: [www.hama.com](http://www.hama.com) ->00131989 ->Downloads.

Hartelijk dank dat u voor een product van Thomson heeft gekozen.

Neem de tijd om de volgende aanwijzingen en instructies volledig door te lezen. Berg deze gebruiksaanwijzing vervolgens op een goede plek op zodat u hem als naslagwerk kunt gebruiken. Op zodat u hem als naslagwerk kunt gebruiken. Mocht u het toestel verkopen, geeft u dan ook deze gebruiksaanwijzing aan de nieuwe eigenaar.

## 1. Verklaring van waarschuwingssymbolen en instructies



### Waarschuwing

Wordt gebruikt voor veiligheidsinstructies of om de aandacht te trekken op bijzondere gevaren en risico's.



### Aanwijzing

Wordt gebruikt voor extra informatie of belangrijke informatie.

## 2. Bedieningselementen en weergaven/indicaties

### 2.1 Zender/laadstation (afb. 1)

1. Oplaadaansluiting en oplaadcontacten (beschermd tegen omgekeerde polariteit)
2. Led-laadstatus (**CHARGE**)
3. Koptelefoonhouder met geïntegreerde DAB+/FM-antenne

### Bedieningselementen

4. Geheugenknoppen radio **M1-M3** (FM of DAB+)
5. Automatisch/handmatig zoeken + (**TUNE +**)
6. Knop voor aanvullende informatie over de radiozender (**INFO**)
7. Oproep van max. 10 voorkeurszenders op FM of DAB+ (**M-SET**)
8. Automatisch/handmatig zoeken - (**TUNE -**)
9. Multifunctioneel LCD-display
10. Ingangsketoets voor DAB+, FM, AUX-IN en status-led (**INPUT**)
11. Aan/uit-knop en status-led (**POWER**)

### Achteraansluitingen

12. Audio-ingang optisch (digitaal)
13. Keuzeschakelaar type ingang: Optisch of analoog
14. Audio-ingang cinch (analoog)
15. DAB +/FM-radiouitgang (digitaal)
16. DAB +/FM-radiouitgang (analoog)
17. DC-ingangspoort (voedingsadapter)

### 2.2 Koptelefoonhouder/draadloze ontvanger (afb.

18. Volumeregelaar
19. Aan/uit-schakelaar koptelefoon met status-led
20. Directe audio-line-in (analoge 3,5 mm stereosteekker)
21. Oorschelp rechts als deksel batterijvak (R)
22. Laadcontact koptelefoon (beschermd tegen omgekeerde polariteit)

### Afstandsbediening (afb. 2)

23. Aan/uit-knop
24. Bedieningsknoppen afstandsbediening:
  - Automatisch/handmatig zoeken + (**TUNE +**)
  - Automatisch/handmatig zoeken - (**TUNE -**)
  - Luidsprekerschakelaar (**MUTE**)
  - Ingangselectieknop voor DAB+, FM, AUX-IN (**INPUT**)

**Achterzijde:** Deksel batterijvak voor 2 AAA/LR03-batterijen (niet bij levering inbegrepen)

## 3. Inhoud van de verpakking

- Deze bedieningsinstructies
- 1 draadloze koptelefoon WHP 5407 (zender + koptelefoon)
- 25. 2 x AAA NiMH-batterijen (uitsluitend voor de koptelefoon)
- 26. 1 audio-adapter 3,5 mm/6,3 mm
- 27. 1 optische lichtgeleiderkabel
- 28. 1 audio-adapter 3,5 mm jackaansluiting – cinch-steekker
- 29. 1 audio-adapterkabel 3,5 mm jack – cinch-steekker
- 30. 1 audio-verbindingkabel cinch-steekker – cinch-steekker
- 31. 1 audio-verbindingkabel 3,5 mm jackplug – 3,5 mm jackplug
- 32. 1 voedingsadapter (voor het laadstation)

## 4. Veiligheidsinstructies

- Accu's en batterijen nimmer openen, beschadigen, inslikken of in het milieu terecht laten komen. Zij kunnen giftige en zware metalen bevatten welke schadelijk zijn voor het milieu.
- De accu's/batterijen niet wijzigen en/of vervormen/verhitten/demontieren.
- Het product is bedoeld voor niet-commercieel privegebruik in huiselijke kring.
- Gebruik het product uitsluitend voor het doel waarvoor het gemaakt is.
- Kinderen dienen onder toezicht te staan, teneinde te waarborgen dat zij niet met het product spelen.
- Gebruik het product niet binnen omgevingen, waarin elektronische apparatuur niet is toegestaan.
- Sluit het product alleen aan op een daarvoor geschikt en intact stopcontact. Het stopcontact moet in de buurt van het product zijn aangebracht en goed bereikbaar zijn.
- Het product met behulp van de aan/uit schakelaar van het net scheiden – indien deze niet ter beschikking is, trek dan de netstekker uit het stopcontact.
- Leg alle kabels zodanig dat zij geen struikelgevaar vormen.
- De kabel niet knikken of inklemmen.
- Laat het product niet vallen en stel het niet bloot aan zware schokken of stoten.
- Het verpakkingsmateriaal direct en overeenkomstig de lokaal geldende afvoervoorschriften afvoeren.
- Verander niets aan het toestel. Daardoor vervalt elke aanspraak op garantie.
- Gebruik het product niet indien de adapter, de aansluitkabel of de netkabel is beschadigd.
- Probeer niet het product zelf te onderhouden of te repareren. Laat onderhouds- en reparatiewerkzaamheden door vakpersoneel uitvoeren.
- Open het product niet en gebruik het niet meer als het beschadigd is.

- Bescherm het product tegen vuil, vocht en oververhitting en gebruik het alleen in droge omgevingen.
- Gebruik het product alleen bij een omgevingstemperatuur van 5°C tot 40°C.
- Gebruik het product alleen in omgevingen waar draadloze 2,4 GHz-technologie is toegestaan.



### Waarschuwing – pacemaker

- De bij het gebruik van dit product vloeiende lichaamsstroom kan het functioneren van een pacemaker negatief beïnvloeden.
- Het product genereert magnetische velden. Personen met een pacemaker dienen vóór het gebruik van dit product een arts om advies te vragen, omdat het functioneren van de pacemaker negatief kan worden beïnvloed.

## 5. Inleiding

Deze 2,4 GHz digitale draadloze koptelefoon met DAB+ en FM-ontvanger werkt met de nieuwste draadloze technologie waardoor u kunt genieten van pure, kristalheldere muziek of tv-sound in het hele huis. Sluit hiervoor de zender gewoon aan op de gewenste audiobron. Dvd-speler, cd-speler, televisietoestel, HiFi-installatie, iPod of smartphone. U hebt ook de mogelijkheid om digitale radioprogramma's rechtstreeks via de DAB+-standaard en FM-radiosignalen op de koptelefoon te ontvangen of om deze radiosignalen naar een andere bron te verzenden (bijv. een stereosysteem of actieve luidsprekers).

## 6. Belangrijkste kenmerken

- 2,4 GHz digitale draadloze technologie
- Automatische en digitaal gecodeerde kanaalselectie van de draadloze transmissie
- De automatische uitschakeling stopt de overdracht als er geen signaal wordt verstuurd (bijv. de oplaadmodus).
- Bereik tot 10-15 m (afhankelijk van de omgevingsomstandigheden), tot 30 m met open zicht
- Zender als koptelefoonstandaard met bescherming tegen omgekeerde polariteit tijdens het opladen
- Analoge of digitale ingangs- en uitgangselectie van de signalen
- Smart Volume Memory (slaat het laatst ingestelde geluidsvolume op)
- Mute-functie
- DAB +/-FM-radio met drie directe favorietenknoppen op de zender die kunnen worden opgeslagen
- Led-display voor het weergeven van de radiozenders en aanvullende informatie of bronkeuze
- Afstandsbediening om basiseigenschappen te regelen
- Directe audio-line-in (koptelefoon passief direct op bijv. smartphone/MP3 voor mobiel gebruik)
- Ook bruikbaar als koptelefoon met kabel

## 7. Inbedrijfstelling

### 7.1 Zender aansluiten

- Sluit de voedingsadapter aan op een goed geïnstalleerd en makkelijk toegankelijk stopcontact en op de DC-ingang (17) van de zender.
- Verbind één van de meegeleverde audiokabels (cinch of optisch) met de audio-ingangen **[ANALOG] (14)** of **[OPTICAL] (12)** op de achterzijde van de zender en de desbetreffende audio-uitgang op uw weergave-apparaat (tv- of audiobron).
- Stel de keuzeschakelaar voor de ingang **[SELECT] (13)** op de gebruikte ingang (**OPTICAL / ANALOG**) in.
- Als u de radiosignalen (DAB+ of FM) op een ander apparaat (bijv. stereo-installatie of actieve luidsprekers) wilt gebruiken, dan hebt u de mogelijkheid om via de **DAB-OUTPUT** via cinch (16) of glasvezelkabel (15) deze signalen door te sturen zoals in het schema beschreven (afb. 4). Mogelijk hebt u hiervoor ook extra verbindingskabels nodig.

### 7.2 Accu's plaatsen (koptelefoon) (Afb. 5)



### Waarschuwing

- Neemt u absoluut de juiste polariteit (opschrift + en -) van de accu's in acht en plaatst u deze dienovereenkomstig. Indien de accu's verkeerd worden geplaatst kunnen deze gaan lekken of zelfs exploderen.
- De accu's/batterijen niet diep ontladen.
- De accu's/batterijen niet wijzigen en/of vervormen/verhitten/demonteren.
- De accu's/batterijen niet kortsluiten en uit de buurt van blanke metalen voorwerpen houden.
- Accu's en laadstation zijn op elkaar afgestemd en mogen uitsluitend in deze geleverde combinatie worden gebruikt.



### Aanwijzing – accu's

- Let erop dat uw toestel bij het vervangen van de accu/batterij is uitgeschakeld.
- Indien de accu's gedurende langere tijd worden opgeborgen, dan dienen ze ten minste elke 3 maanden te worden opgeladen.
- Accu's kunnen op ieder moment worden opgeladen, ze hoeven niet volledig leeg te zijn voordat zij worden opgeladen.
- Vóór het eerste gebruik moet u de meegeleverde accu's in de koptelefoon plaatsen en volledig opladen (ca. 7 h).
- Open het batterijvak. Houd daarvoor de achterzijde van de rechter oorschelp (21) vast en draai het rechter oorkussen voorzichtig tegen de wijzers van de klok in (linksom) los. (Afb. 5)
- Plaats de twee meegeleverde AAA-batterijen met de polen in de juiste richting in het batterijvak. Sluit vervolgens het batterijvakje op de juiste manier door het oorkussen te plaatsen en met de wijzers van de klok mee (rechtsom) te draaien totdat het kussen voelbaar vastklikt. (Afb. 5)

### 7.3 Koptelefoon opladen

- Schakel eerst de koptelefoon in door de knop **POWER (19)** ongeveer 2 seconden ingedrukt te houden (afb. 6). Het rood led-sigitaal gaat daarbij branden.
- Schakel de zender in met de **POWER toets (11)** en wacht tot het display (9) op „Auxiliary Input” omschakelt.
- Hang de koptelefoon met de laadcontacten (22) op de laadcontacten (1) van de zender.
- Het opladen start automatisch en de led-indicator **CHARGE (2)** van de zender brandt groen zodra de laadcontacten van de zender en koptelefoon correct zijn verbonden. Het apparaat schakelt hierbij automatisch over naar de stand-by-modus indien.
- De groene led-indicator laadstatus (2) gaat uit zodra het opladen is voltooid.

## 8.0 Gebruik en werking

### 8.1 Externe audiobron ontvangen

#### Inschakelen van de zender

- Schakel het weergave-apparaat (tv- of audio-component) in waarmee uw zender is verbonden. Stel eerst het volume in op ongeveer 30-40% van het maximale geluidsvolume om gehoorschade tijdens de installatie te voorkomen.
- Houd de **POWER toets (11)** één seconde lang ingedrukt om de zender in te schakelen. De status-led **Power (11)** begint blauw te branden.
- De status-led **INPUT (10)** begint blauw te knipperen (indicatie **Auxiliary Input**). De status-led **INPUT (10)** brandt onafgebroken blauw zodra er een audiosignaal wordt ontvangen.
- Wordt er geen audiosignaal ontvangen, dan schakelt de zender na ca. 5 minuten automatisch over naar de stand-by-modus. De status-led **Power (11)** brandt rood.
- Als alternatief kunt u later de **POWER toets (23)** op de afstandsbediening gebruiken. Let erop dat de zender zich in de stand-by-modus moet bevinden. De status-led **Power (11)** brandt rood.

#### Inschakelen koptelefoon/ontvanger



#### Waarschuwing – geluidsvolume

- De gebruikmaking van het product beperkt u in de waarneming van omgevingsgeluiden. Bedient u om deze reden tijdens het gebruik ervan voertuigen of machines.
- Houd het geluidsvolume te allen tijde op een verstandig niveau. Grote geluidsvolumen kunnen – zelfs kortstondig – tot gehoorbeschadiging leiden.



- Schakel de koptelefoon in door de **POWER toets (19)** gedurende ca. 2 seconden ingedrukt te houden. De **status-led Power (afb. 6)** gaat rood branden en wordt daarna groen zodra een signaalverbinding tussen zender en koptelefoon tot stand is gebracht. Indien er geen audio-sigitaal wordt geregistreerd, blijft de led rood.



#### Opmerking pairing/afstemmen zender/ontvanger

- Blijf de led rood, dan moeten de zender en ontvanger op elkaar worden afgestemd. Om dit te doen, schakelt u de zender met de **POWER toets (11)** en de koptelefoon met de **POWER toets (19)** volledig uit. Er brandt geen led op de zender of koptelefoon. Druk nu op de **POWER toets (19)** op de koptelefoon tot de **status-led Power (19)** op de koptelefoon tot de **status-led Power** groen gaat knipperen (ca. 5 seconden). Druk binnen 15 seconden op de **POWER toets (11)** op de zender. Bij succesvolle afstemming (pairing), klinkt er een geluidssigitaal.
- Het afspeelapparaat (bijv. tv) zou na een succesvolle afstemming nu via de koptelefoon hoorbaar moeten zijn.
- Stel de hoofdbeugel in en zet de koptelefoon op.
- Stel met de **volumeregelaar (18)** op de koptelefoon het gewenste geluidsvolume in.



#### Aanwijzing

- Voor een optimale weergave moet u eerst het geluidsvolume van de koptelefoon (18) verlagen en het geluidsvolume van het weergaveapparaat (bijv. tv) instellen op ongeveer 70-80%. Pas vervolgens het **geluidsvolume (18)** op de koptelefoon aan uw behoeften aan. Dit is vooral belangrijk bij de selectie van analoge ingangen (bijv. koptelefoonuitgang van de tv).
- Bij een lage laadcapaciteit van de batterijen in de koptelefoon knippert de Power-led (afb. 6) op de koptelefoon rood. Vijf minuten voor de automatische uitschakeling klinkt een waarschuwingston: één toon per minuut gedurende de laatste vier minuten en twee tonen in de laatste minuut. Aansluitend schakelt de koptelefoon zichzelf automatisch uit.



#### Aanwijzing

- Bij storingen of een slechte ontvangst schakelt de koptelefoon op mute en brandt de led rood.
- Deze koptelefoon kan ook worden gebruikt als een gewone koptelefoon met kabel door de koptelefoonuitgang van uw weergaveapparaat met behulp van een analoge audiokabel (**verpakkingsinhoud #31**) aan te sluiten op de 3,5 mm stereojackingang op de koptelefoon (20). Let op de technische specificaties voor de audio-/koptelefoonuitgang in de gebruikershandleiding van uw afspeelapparaat of vraag bij twijfel een vakman.
- Als u tijdens het gebruik de koptelefoon op de oplaadcontacten (1) plaatst, schakelt de koptelefoon zichzelf uit (status-led Power brandt rood) en de zender gaat in de standby-modus (status-led Power (11) brandt rood). Tegelijkertijd wordt de radioverbinding onderbroken en springt koptelefoon in de oplaadmodus (CHARGE) en brandt groen.
- Zodra er opnieuw een audiosignaal wordt gedetecteerd (en de koptelefoon wordt verwijderd van de laadcontacten, schakelt de zender zichzelf automatisch weer in en brandt de status-led Power (11) blauw of de koptelefoon groen op de status-led Power (afb. 6).

## 8.2 DAB+-radio ontvangen en weergeven

### Aanwijzing – optimale ontvangst

Dit product beschikt over een telescopische antenne (afb. 3), die de ontvangst via DAB+ en FM mogelijk maakt.

Let op het volgende:

- Trek de antenne er altijd volledig uit.
- Voor een optimale ontvangst adviseren wij de antenne verticaal te richten.
- De signaalsterkte varieert in veel gevallen afhankelijk van de plaats waar de radio is opgesteld. Teneinde de ontvangst te verbeteren selecteert u een plaats in de buurt van een raam.
- Druk op de **INPUT** toets op de zender (**10**) totdat u zich in de DAB-modus bevindt (of op de **INPUT** toets (**24**) op de afstandsbediening).
- Bij een eerste installatie vindt nu een automatische zenderzoekprocedure plaats of u drukt op de **INFO** toets (**6**) om het automatisch zoeken naar zenders te starten (**Scanning**).
- Houd **TUNE+** (**5**) of **TUNE –** (**8**) ingedrukt om een lijst met beschikbare zenders weer te geven.
- Druk op **TUNE+** (**5**) of **TUNE –** (**8**) om een zender uit de zenderlijst te selecteren (of de toetsen **TUNE +** of **TUNE -** (**24**) op de afstandsbediening).
- Bevestig uw selectie door op de Info-toets (6) te drukken of wacht tot de zender automatisch wordt omgeschakeld.
- Om de snelkeuzeknoppen **M1 t/m M3** toe te wijzen, houdt u een van de favorietenknoppen (**4**) ingedrukt op de zender die u wilt toewijzen.
- Druk op de **M Set** toets (**7**), om uw volledige favorietenlijst te bekijken of op te slaan. Selecteer hiervoor eerst de zender die u wilt opslaan en druk vervolgens op de **M SET** toets (**7**). Gebruik de toetsen **TUNE +/-** om een lege geheugenlocatie te vinden „**Preset Store (Empty)**“. De zender wordt automatisch opgeslagen op deze programmaplaats.
- Om aanvullende DAB+-informatie over de zender te ontvangen, drukt u meerdere keren op de **INFO** toets (**6**) (bijv. programma-informatie, DAB+-frequentie, signaalinformatie, transmissiekwaliteit, tijd, datum signaalsterkte van de zender, enz.).  
**Aanwijzing:** De signaalsterkte-indicator van de zwakste DAB+-zender kan helpen bij het richten van de staafantenne of het positioneren van de zender.

## 8.3 FM-radio ontvangen en weergeven

- Druk meerdere keren op de Invoer toets (**10**) totdat u zich in de FM-modus (FM-ontvangst) bevindt (of op de toets **INPUT** (**24**) op de afstandsbediening).
- Houd **TUNE +** (**5**) of **TUNE -** (**8**) ingedrukt om automatisch naar de dichtstbijzijnde zender met een sterke ontvangst te zoeken. U kunt ook handmatig een gewenste zendfrequentie instellen door kort op de toetsen **TUNE +** (**5**) of **TUNE -** (**8**) te drukken.
- Dit is ook mogelijk met de afstandsbediening via de toetsen **TUNE +/-** (**24**).
- Om de gewenste zenders op te slaan, kunt u nu de zendfrequentie opslaan.

- Om de snelkeuzeknoppen **M1 t/m M3** toe te wijzen, houdt u een van de favorietenknoppen (**4**) ingedrukt op de zender die u wilt toewijzen.
- Druk op de **M Set** toets (**7**), om uw volledige favorietenlijst te bekijken of op te slaan. Selecteer hiervoor eerst de zender die u wilt opslaan en druk vervolgens op de **M SET** toets (**7**). Gebruik de toetsen **TUNE +/-** om een lege geheugenlocatie te vinden in „**Preset Store (Empty)**“. De zender wordt automatisch opgeslagen op deze programmaplaats. Het programmanummer (bijv. P4) wordt weergegeven in de linker bovenhoek van het LCD-display (9).
- Om extra RDS-informatie over de zender te verkrijgen, drukt u meerdere keren op de toets **INFO** (**6**) (bijv. programma-informatie, frequentie, STEREO/MONO, tijd, datum, enz.).

## 8.4 Algemene of systeeminstellingen

- Houd de **POWER** toets (**11**) van de zender een seconde lang ingedrukt om de zender in te schakelen.
- Druk meerdere keren op de **INPUT** toets (**10**) totdat u in de modus **AUX-IN** komt.
- Houd de **INFO** toets (**6**) ongeveer 2-3 seconden ingedrukt totdat „**System**“ in het LCD-menu verschijnt.
- Druk op **TUNE +** (**5**) of **TUNE -** (**8**) om uw instelling te selecteren. Met de **INFO** toets (**6**) bevestigt u uw invoer. Met de **INPUT** toets (**10**) beëindigt u uw invoer/wijzigingen.
- De volgende menukeuzes zijn beschikbaar:

### Time (Datum- en tijdstellingen)

Bevestig uw keuze door op de Info toets (**6**) te drukken.

Stel de volgende informatie achter elkaar in:

Set Time/Date (tijd/datum)

Auto Update (automatisch bijwerken)

Set 12/24 hour (12/24-uursformaat)

Set date format (formaat datumweergave)

### Resetten op fabrieksinstellingen (Reset)

Selecteer de menukeuze Factory Reset

Bevestig uw keuze door op de **INFO** toets (**6**) te drukken.

Druk op **TUNE +**(**5**) of **TUNE –** (**8**) om te kiezen tussen YES (ja) en NO (nee).

Bevestig uw keuze door op de **INFO** toets (**6**) te drukken.

### Software Upgrade

Software-update alleen voor geautoriseerde dealers

### SW-versie (Weergave van de softwareversie)

Selecteer de menukeuze SW-versie.

Bevestig uw keuze door op de **INFO** toets (**6**) te drukken.

De huidige versie van de software wordt weergegeven.

## 8.5 Lokaliseren van fouten

### 8.5.1 Geen geluid

- Controleer of de voedingsadapter correct in het stopcontact is gestoken en op het „DC IN“ aansluitpunt van de zender is aangesloten.

- Controleer of de koptelefoon is ingeschakeld.
- Mogelijk is de laadcapaciteit van de batterijen in de koptelefoon te laag, in dit geval de batterijen volledig opladen.
- Controleer of het gewenste tv- of audiotoestel is ingeschakeld.
- Mogelijk is het geluidsvolume op de koptelefoon te laag ingesteld.
- Het audio-sigitaal is eventueel te laag. Verhoog het geluidsvolume op uw weergave-apparaat.
- Zorg ervoor dat zender en ontvanger (koptelefoon) op elkaar zijn afgestemd (pairing), zie paragraaf 8.1

### 8.5.2 Andere geluidsstoren (uitval of ruis)

- Zorg ervoor dat het geluidsvolume op de koptelefoon correct is ingesteld.
- Mogelijk is de koptelefoon te ver van de zender verwijderd.
- Het audio-sigitaal is eventueel te laag. Verhoog het geluidsvolume op uw weergave-apparaat.
- Ruis: Zorg ervoor dat het audiosigitaal niet te laag is (achtergrondruis van het afspeelapparaat).

## 9. Onderhoud en verzorging

Reinig dit product uitsluitend met een pluisvrije, licht vochtige doek en maak geen gebruik van agressieve reinigingsmiddelen.

### 10. Uitsluiting van garantie en aansprakelijkheid

Hama GmbH & Co. KG aanvaardt geen enkele aansprakelijkheid of garantieclaims voor schade of gevolgschade, welke door ondeskundige installatie, montage en ondeskundig gebruik van het product ontstaan of het resultaat zijn van het niet in acht nemen van de bedieningsinstructies en/of veiligheidsinstructies.

## 11. Service en support

Neem bij vragen over het product contact op met de afdeling Productadvies van HAMA.

Hotline: +49 9091 502-115 (Duits/Engels)

Meer support-informatie vindt u hier: [www.hama.com](http://www.hama.com)

## 12. Technische specificaties

### Koptelefoon/zender

<b>Bedrijfsspanning</b>	Zender 5V, 550 mA, koptelefoon: 2,4V (2xAAA NiMH)
<b>Vervorming</b>	< 1%
<b>Ruisafstand</b>	80 dB
<b>Bereik</b>	maximaal 30 meter in gebouwen (afhankelijk van het soort muur)
<b>Frequentiebereik</b>	20 Hz – 20 kHz
<b>Max. afgestraald zendvermogen</b>	6.82 dBm
<b>Frequentieband(en)</b>	2406 – 2472 MHz

## Digital Radio

<b>DAB-frequentie</b>	174–240 MHz
<b>Zendergeheugen</b>	10
<b>DLS</b>	Dynamic Label Service (programma-gestuurde tekstinformatie van de radiozender)
<b>Ondersteunde DAB-formaten</b>	MP2/AAC

## FM-radio

<b>Frequentie</b>	87,5 – 108 MHz
<b>Zendergeheugen</b>	10
<b>RDS</b>	Radio Data System (extra informatie van de radiozender bij het programma)

## 13. Aanwijzingen over de afvalverwerking

### Notitie aangaande de bescherming van het milieu:



Ten gevolge van de invoering van de Europese Richtlijn 2012/19/EU en 2006/66/EU in het nationaal juridisch systeem, is het volgende van toepassing: Elektrische en

elektronische apparatuur, zoals batterijen mag niet met het huisvuil weggegooid worden. Consumenten zijn wettelijk verplicht om elektrische en elektronische apparaten zoals batterijen op het einde van gebruik in te dienen bij openbare verzamelplaatsen speciaal opgezet voor dit doeleinde of bij een verkooppunt. Verdere specificaties aangaande dit onderwerp zijn omschreven door de nationale wet van het betreffende land. Dit symbool op het product, de gebruiksaanwijzing of de verpakking duidt erop dat het product onderworpen is aan deze richtlijnen. Door te recycleren, hergebruiken van materialen of andere vormen van hergebruiken van oude toestellen/batterijen, levert u een grote bijdrage aan de bescherming van het milieu.

## 14. Conformiteitsverklaring



Hierbij verklaar ik, Hama GmbH & Co KG, dat het type radioapparatuur [00131989] conform is met Richtlijn 2014/53/EU. De volledige tekst van de EU-conformiteitsverklaring kan worden geraadpleegd op het volgende internetadres:

[www.hama.com](http://www.hama.com) -> 00131989 -> Downloads.

Dziękujemy za zakup naszego produktu!  
Przed pierwszym użyciem należy dokładnie przeczytać instrukcję obsługi. Instrukcję należy przechować, gdyż może być jeszcze potrzebna.

## 1. Objaśnienie symboli ostrzegawczych i wskaźówek

### Ostrzeżenie

Używane w celu zwrócenia uwagi na szczególne niebezpieczeństwo lub ryzyko.

### Wskazówki

Używane w celu zwrócenia uwagi na szczególnie przydatne informacje.

## 2. Elementy obsługi i sygnalizacji

### 2.1 Nadajnik / stacja ładowania (rys. 1)

- Ładowarka i styki ładujące (zabezpieczone przed odwrotną zamianą biegunów)
- Dioda LED ładowania (**CHARGE**)
- Uchwyt na słuchawki z wbudowaną anteną DAB+/UKF

### Elementy obsługi

- Przyciski zapisu odbiornika radiowego **M1-M3** (UKF lub DAB+)
- Wyszukiwanie automatyczne/ręczne + (**TUNE +**)
- Przycisk informacji dodatkowych o stacji radiowej (**INFO**)
- Odczyt maks. 10 zapisanych stacji w paśmie UKF lub w systemie DAB+ (**M-SET**)
- Wyszukiwanie automatyczne/ręczne - (**TUNE -**)
- Wielofunkcyjny wyświetlacz LCD
- Przycisk wyboru sygnału wejściowego DAB+, UKF, AUX-IN i dioda LED stanu (**INPUT**)
- Przycisk włączania/wyłączania i dioda LED stanu (**POWER**)

### Przylącza z tyłu urządzenia

- Wejście audio optyczne (cyfrowe)
- Przełącznik wyboru sygnału wejściowego: optyczny lub analogowy
- Wejście audio cinch (analogowe)
- Wyjście radiowe DAB+/UKF (cyfrowe)
- Wyjście radiowe DAB+/UKF (analogowe)
- Gniazdo wejściowe DC (zasilacz sieciowy)

### 2.2 Słuchawki/odbiornik radiowy (rys. 1)

- Regulator głośności +/-
- Włącznik/wyłącznik słuchawek z diodą LED stanu
- Bezpośrednie wejście Audio Line In (analogowe, wtyk jack stereo 3,5 mm)
- Muszla słuchawkowa prawa jest zarazem pokrywą schowka na baterie (R).
- Styki ładujące słuchawek (zabezpieczone przed zamianą biegunów)

### Pilot zdalnego sterowania (rys. 2)

- Przycisk zasilania (włącznik/wyłącznik)
- Przyciski sterujące na pilocie:
  - Wyszukiwanie automatyczne/ręczne + (**TUNE +**)
  - Wyszukiwanie automatyczne/ręczne - (**TUNE -**)
  - Wyciszenie dźwięku (**MUTE**)
  - Przycisk wyboru sygnału wejściowego DAB+, UKF, AUX-IN (INPUT)

**Z tyłu:** Pokrywa schowka na baterie 2 x AAA/ LR03 (nie objęte zakresem dostawy)

### 3. Zawartość opakowania

- niniejsza instrukcja obsługi
- 1 zestaw słuchawek bezprzewodowych WHP 5407 (nadajnik + słuchawki)
- 2 baterie AAA NiMH (wyłącznie do słuchawek)
- 1 adapter audio 3,5 mm/6,3 mm
- 1 kabel optyczny światłowodowy
- 1 adapter audio gniazdo jack 3,5 mm – wtyk cinch
- 1 kabel do adaptera audio wtyk jack 3,5 mm – wtyk cinch
- 1 kabel połączeniowy audio wtyk cinch – wtyk cinch
- 1 kabel połączeniowy wtyk jack 3,5 mm – wtyk jack 3,5 mm
- 1 zasilacz sieciowy (do stacji ładowania)

### 4. Wskazówki bezpieczeństwa

- Nie otwierać, uszkadzać ani nie polykać akumulatorów lub baterii oraz chronić je przed kontaktem ze środowiskiem. Mogą one zawierać toksyczne i szkodliwe dla środowiska metale ciężkie.
- Nie modyfikować / deformować / podgrzewać / rozkładać akumulatorów / baterii.
- Produkt jest przeznaczony do prywatnego, niekomercyjnego użytku domowego.
- Stosować produkt wyłącznie zgodnie z przewidzianym przeznaczeniem.
- Dzieci powinny być nadzorowane, aby nie używały urządzenia do zabawy.
- Nie używać produktu w miejscach, gdzie nie jest dozwolone stosowanie urządzeń elektronicznych.
- Podłączyć produkt tylko do odpowiedniego gniazda wtykowego. Gniazdo wtykowe musi znajdować się w pobliżu produktu i być łatwo dostępne.
- Odłączyć produkt od sieci za pomocą wyłącznika zasilania – jeżeli nie jest on na wyposażeniu, wyciągnąć przewód sieciowy z gniazda wtykowego.
- Wszystkie kable poprowadzić tak, aby nie stanowiły one ryzyka potknięcia się.
- Nie zginać ani nie zakleszczać kabla.
- Chronić produkt przed upadkiem i silnymi wstrząsami.
- Materiały opakowaniowe należy natychmiast poddać utylizacji zgodnie z obowiązującymi przepisami miejscowymi.
- Nie modyfikować urządzenia. Prowadzi to do utraty wszelkich roszczeń z tytułu gwarancji.
- Nie używać produktu, jeżeli zasilacz sieciowy, kabel przyłączeniowy bądź przewód sieciowy są uszkodzone.
- Nie próbować naprawiać samodzielnie urządzenia. Prace serwisowe zlecać wykwalifikowanemu personelowi fachowemu.

- Nie otwierać produktu i nie używać go, gdy jest uszkodzony.
- Chronić produkt przed zanieczyszczeniem, wilgocią i przegrzaniem oraz stosować go tylko w suchym otoczeniu.
- Produkt używać wyłącznie w temperaturze otoczenia od 5°C do 40°C.
- Stosować produkt wyłącznie w miejscach z dostępną technologią bezprzewodową 2,4 GHz.



### Ostrzeżenie – Rozrusznik serca

- Prądy przepływające przez ciało podczas używania tego produktu mogą zakłócić działanie rozrusznika serca.
- Produkt wytwarza pola magnetyczne. Przed zastosowaniem tego produktu osoby z rozrusznikami serca powinny skonsultować się z lekarzem, gdyż może zostać zakłócona funkcja rozrusznika serca.

## 5. Wprowadzenie

Cyfrowe słuchawki bezprzewodowe 2,4 GHz z systemem DAB+ i odbiornikiem UKF działają z wykorzystaniem najnowszych osiągnięć techniki radiowej i umożliwiają słuchanie muzyki lub dźwięku z TV w całym domu, i to w absolutnie doskonałej jakości. W tym celu wystarczy tylko połączyć nadajnik z wybranym źródłem sygnału audio: odtwarzaczem DVD lub CD, zestawem telewizyjnym, telewizorem, urządzeniem hi-fi, iPodem lub smartfonem. Dodatkowo istnieje możliwość bezpośredniego odbioru cyfrowych programów radiowych poprzez system DAB+ Standard lub sygnałów radiowych UKF, a także transmisji takich sygnałów radiowych do dalszych źródeł dźwięku (np. sprzętu stereo lub aktywnych głośników).

## 6. Właściwości funkcji głównych

- Cyfrowa technologia bezprzewodowa 2,4 GHz
- Automatyczny i kodowany cyfrowo wybór kanałów transmisji radiowej
- Funkcja automatycznego wyłączenia kończy transmisję, gdy nie jest przesyłany żaden sygnał (lub w trybie ładowania).
- Zasięg do 10-15 m (w zależności od warunków otoczenia), do 30 m w przypadku otwartej przestrzeni
- Nadajnik jako stojak na słuchawki z ochroną przeciw zamianie biegunów podczas ładowania
- Wybór analogowych lub cyfrowych sygnałów wejściowych i wyjściowych
- Smart Volume Memory (zapis ostatnio ustawionej głośności)
- Wyciszanie dźwięku
- Radio DAB+/UKF z trzema przyciskami bezpośredniego zapisu Ulubionych na nadajniku
- Wyświetlacz LED do wskazywania stacji radiowej, informacji dodatkowych lub wyboru źródła
- Pilot do sterowania funkcjami podstawowymi
- Bezpośrednie wejście Audio Line In (słuchawka pasywna bezpośrednio podłączana np. do smartfona/odtwarzacza MP3 w celu korzystania mobilnego)
- Możliwość używania również jako słuchawek podłączanych za pomocą kabla

## 7. Uruchamianie

### 7.1 Podłączanie nadajnika

- Podłączyć zasilacz sieciowy do prawidłowo zamontowanego i łatwo dostępnego gniazda oraz wejścia zasilania DC **(17)** nadajnika.
- Połączyć jeden z dostarczonych przewodów audio (cinch lub optyczny światłowod) z wejściem audio **[ANALOG] (14)** lub **[OPTICAL] (12)** znajdującym się z tyłu nadajnika i z odpowiednim wyjściem audio urządzenia odtwarzającego (TV lub odtwarzaczem audio).
- Ustawić przełącznik wyboru sygnału wejściowego **[SELECT] (13)** odpowiednio do używanego sygnału wejściowego **(OPTICAL / ANALOG)**.
- W przypadku przekazywania sygnałów radiowych (DAB+ lub UKF) do kolejnego urządzenia (np. sprzętu stereo lub głośników aktywnych) istnieje możliwość przekazania tych sygnałów poprzez wyjście **DAB-OUTPUT** i kabel z wtykiem cinch **(16)** lub optyczny światłowod **(15)**, zgodnie z opisem na schemacie **(rys. 4)**. W razie potrzeby należy użyć dodatkowych kabli połączeniowych.

### 7.2 Wkładanie akumulatorów (słuchawki) (rys. 5)



#### Ostrzeżenie

- Wkładając akumulatory, zwrócić koniecznie uwagę na właściwe podłączenie biegunów (znak + i -). Nieprzestrzeżenie grozi wyciekami lub wybuchem akumulatora.
- Chronić akumulatory / baterie przed głębokim rozładowaniem.
- Nie modyfikować / deformować / podgrzewać / rozkładać akumulatorów / baterii.
- Nie zwierać akumulatorów / baterii oraz trzymać je z dala od odkrytych przedmiotów metalowych.
- Akumulator i stacja ładowania są do siebie dopasowane i mogą być użytkowane tylko w dostarczonym zestawie.



#### Wskazówki – akumulatory

- Podczas wymiany akumulatorów/baterii należy wyłączyć urządzenie.
- W przypadku dłuższego przechowywania regularnie (przynajmniej co kwartał) doładowywać akumulatory.
- Akumulatory można w każdej chwili doładować, całkowite rozładowanie akumulatora przed ładowaniem nie jest konieczne.
- Przed pierwszym użyciem należy włożyć dostarczone akumulatory do słuchawek i całkowicie je naładować (ok. 7 godzin).
- Otworzyć pokrywę schowka na baterie. W tym celu przytrzymać spód prawej muszli słuchawkowej **(21)** i obrócić ostrożnie prawą poduszkę słuchawkową w kierunku przeciwnym do ruchu wskazówek zegara. **(rys. 5)**



- Włożyć dwa dołączone akumulatory typu AAA do schowka na baterie zgodnie z oznaczeniem biegunów. Zamknąć prawidłowo schowek na baterie, zakładając i obracając muszlę słuchawkową zgodnie z kierunkiem ruchu wskazówek zegara aż do wyraźnego zatrzaśnięcia się muszli. (rys. 5)

### 7.3 Ładowanie słuchawek

- W celu naładowania słuchawek najpierw należy je włączyć, wciskając i przytrzymując przez ok. 2 s przycisk zasilania **POWER (19)** (rys. 6). W tym czasie zaczyna świecić czerwona dioda sygnalizacyjna LED.
- Włączyć nadajnik przyciskiem zasilania **POWER (11)** i zacząć, aż wyświetlacz (9) przełączy się na „Auxiliary Input”.
- Zawiesić słuchawki stykami ładującymi (22) na stykach ładujących (1) nadajnika.
- Gdy styki ładujące nadajnika połączą się prawidłowo ze słuchawkami, proces ładowania rozpoczyna się automatycznie i dioda LED ładowania **CHARGE (2)** na nadajniku świeci się na zielono. Urządzenie automatycznie przełącza się w tym przypadku na tryb standby.
- Gdy proces ładowania jest zakończony, zielona dioda LED ładowania (2) gaśnie.

### 8.0 Obsługa

#### 8.1 Odbiór zewnętrznego źródła dźwięku

##### Włączenie nadajnika

- Włączyć urządzenie odtwarzające (urządzenie TV lub audio), w którym połączony jest nadajnik. Wpierw ustawić głośność na ok. 30–40% maksymalnej głośności, aby uniknąć uszkodzenia słuchu podczas ustawiania.
- W celu włączenia nadajnika wcisnąć i przytrzymać przez 1 s przycisk zasilania **POWER (11)**. Dioda LED **Power (11)** zacznie świecić na niebiesko. Dioda LED stanu wejścia **INPUT (10)** zacznie migać na niebiesko (wskazanie **Auxiliary Input**).
- Dioda LED stanu wejścia **INPUT (10)** świeci na niebiesko światłem ciągłym, gdy tylko odebrany zostanie sygnał audio.
- Jeśli nie zostanie odebrany żaden sygnał, wówczas nadajnik po ok. 5 min przełączy się automatycznie w tryb standby. Zaświeci się czerwona dioda LED **Power (11)**.
- Opcjonalnie można później użyć przycisku zasilania **POWER (23)** na pilocie. Należy pamiętać, że nadajnik musi być w trybie standby, aby można było włączyć urządzenie. Zaświeci się czerwona dioda LED **Power (11)**.

##### Włączanie słuchawek/odbiornika



#### Ostrzeżenie – poziom głośności

- Podczas używania produktu ograniczona jest percepcja dźwięków z otoczenia. Z tego powodu stosując produkt, nie obsługiwać pojazdów ani maszyn.
- Głośność ustawiać zawsze na rozsądny poziom. Wysoki poziom głośności może – nawet jeżeli trwa krótko – prowadzić do uszkodzenia słuchu.



- Włączyć słuchawki – w tym celu nacisnąć i przytrzymać przez ok. 2 sekundy przycisk zasilania **POWER (19)**. Dioda LED **Power (rys. 6)** zaświeca się na czerwono, a następnie zmienia kolor na zielony, jak tylko ustanowione zostanie połączenie pomiędzy nadajnikiem a słuchawkami. Jeżeli nie zostanie rozpoznany sygnał audio, dioda LED świeci się na czerwono.



#### Wskazówka dot. parowania/dostrojenia nadajnika/odbiornika

- Jeśli dioda LED w dalszym ciągu będzie świecić na czerwono, należy dostroić do siebie nadajnik i odbiornik. W tym celu całkowicie wyłączyć nadajnik przyciskiem zasilania **POWER (11)**, a słuchawki przyciskiem zasilania **POWER (19)**. Na nadajniku ani na słuchawkach nie świeci się żadna dioda LED. Wcisnąć teraz przycisk zasilania **POWER (19)** na słuchawkach, a dioda LED **Power** zacznie migać na zielono (ok. 5 sekund). W ciągu następnych 15 sekund wcisnąć przycisk zasilania **POWER (11)** na nadajniku. W przypadku pomyślnego dostrojenia (parowania) rozlega się sygnał dźwiękowy.
- Po pomyślnym dostrojeniu urządzenie odtwarzające (np. TV) powinno być słyszalne przez słuchawki.
- Ustawić odpowiedni rozmiar opaski i nałożyć słuchawki.
- Za pomocą **regulatora głośności (18)** na słuchawkach ustawić wybrany poziom głośności.



#### Wskazówki

- Aby uzyskać jak najlepszą jakość odtwarzania, zredukować najpierw poziom głośności na słuchawkach (18) i ustawić głośność urządzenia odtwarzającego (np. TV) na ok. 70–80%. Następnie dopasować **poziom głośności (18)** na słuchawkach do własnych potrzeb. Jest to ważne zwłaszcza w przypadku wyboru wejścia analogowego (np. wyjścia na słuchawki na odbiorniku TV).
- Gdy poziom naładowania baterii słuchawek jest niski, dioda LED **Power (rys. 6)** na słuchawkach miga na czerwono. Pięć minut przed ich automatycznym wyłączeniem rozlega się dodatkowo sygnał ostrzegawczy: jeden dźwięk na minutę w trakcie ostatnich czterech minut i dwa dźwięki w ostatniej minucie działania. Następnie słuchawki automatycznie się wyłączają.



#### Wskazówki

- W przypadku usterek lub złego odbioru słuchawki przełączają się na wyciszenie dźwięku i dioda LED świeci się na czerwono.
- Słuchawki te można stosować także standardowo podłączając je kablem – w tym celu należy gniazdo wyjściowe na słuchawki na urządzeniu odtwarzającym połączyć analogowym kablem audio (**zawartość opakowania #31**) z gniazdem jack stereo 3,5 mm na słuchawkach (20). Należy przy tym przestrzegać danych technicznych wyjścia audio/na słuchawki zawartych w instrukcji obsługi urządzenia odtwarzającego lub w razie wątpliwości zwrócić się z zapytaniem do specjalisty.

- Jeśli podczas eksploatacji słuchawki zostaną odłożone na styki ładujące (1), słuchawki wyłączą się (dioda LED Power zaświeci się na czerwono), a nadajnik przejdzie w tryb standby (dioda LED Power (1 1) zaświeci się na czerwono). Równocześnie zostanie przerwane połączenie bezprzewodowe, słuchawki przejdą w tryb ładowania – dioda LED (CHARGE) zaświeci się na zielono.
- Gdy tylko sygnał audio zostanie ponownie rozpoznany (a słuchawki zostaną zdjęte ze styków ładujących), nadajnik włączy się automatycznie na nowo, a dioda LED Power (1 1) zaświeci się na niebiesko lub też dioda LED Power (rys. 6) na słuchawkach zaświeci się na zielono.

## 8.2 Odbiór i odtwarzanie stacji radiowej w systemie DAB+

### Wskazówka – optymalny odbiór

Produkt jest wyposażony w antenę teleskopową (rys. 3), która umożliwi odbiór w systemie DAB+ lub pasma UKF.

Należy pamiętać:

- Zawsze całkowicie wyciągnąć antenę.
- Aby zapewnić optymalny odbiór, zalecamy ustawienie anteny w pozycji pionowej.
- W wielu przypadkach siła sygnału różni się w zależności od miejsca ustawienia. W celu poprawy odbioru wybrać miejsce ustawienia w pobliżu okna.
- Wcisnąć przycisk **INPUT** na nadajniku (10), aż pojawi się tryb DAB (opcjonalnie przycisk **INPUT (24)** na pilocie).
- Podczas pierwszej instalacji następuje automatyczne wyszukiwanie nadajnika lub alternatywnie należy wcisnąć przycisk **INFO (6)** w celu uruchomienia automatycznego wyszukiwania (**Scanning**).
- Wcisnąć i przytrzymać przycisk **TUNE+ (5)** lub **TUNE - (8)**, aby wyświetlić listę dostępnych stacji.
- Wcisnąć **TUNE + (5)** lub **TUNE - (8)**, aby wybrać stację z listy (opcjonalnie przyciski **TUNE +** lub **TUNE - (24)** na pilocie).
- Potwierdzić wybór, wciskając przycisk **Info (6)** lub zaczekać, aż stacja przestawi się automatycznie.
- W celu zaprogramowania przycisków szybkiego wyboru **M1 do M3** naciskać i przytrzymywać przyciski Ulubionych (4) na poszczególnych ulubionych stacjach, które mają zostać zaprogramowane.
- Wcisnąć przycisk **M Set (7)** w celu wyświetlenia lub zapisu kompletnej listy Ulubionych. Wybrać wcześniej stację, która ma być zapisana i wcisnąć przycisk **M SET (7)**. Za pomocą przycisków **TUNE +/-** znaleźć niezaprogramowaną jeszcze pozycję „**Preset Store (Empty)**”. Stacja zostanie automatycznie zapisana pod tą pozycją.
- W celu otrzymania dodatkowych informacji DAB+ na temat stacji, wcisnąć wielokrotnie przycisk **INFO (6)** (np. informacji o programie, częstotliwości DAB+, informacji o sygnale, jakości transmisji, godzinie, dacie, mocy sygnału stacji itd.).  
**Wskazówka:** Wskaźnik mocy najsłabszego sygnału stacji DAB+ może być pomocny podczas ustawiania anteny prętowej lub wybierania stacji radiowej.

## 8.3 Odbiór i odtwarzanie stacji radiowej w paśmie UKF

- Wcisnąć przycisk **Input (10)**, aż pojawi się tryb FM (odbior UKF) (opcjonalnie przycisk **INPUT (24)** na pilocie).
- Wcisnąć i przytrzymać przycisk **TUNE + (5)** lub **TUNE - (8)**, aby przejść do automatycznego wyszukiwania najbliższej stacji o odpowiednim sygnale odbioru. Opcjonalnie można ustawić wybraną częstotliwość stacji radiowej krótkim wciśnięciem przycisków **TUNE + (5)** lub **TUNE - (8)**. Można to również zrobić przyciskami **TUNE +/- (24)** na pilocie.
- W celu zapisania wybranych stacji można zapisać częstotliwość ich nadawania.
- W celu zaprogramowania przycisków szybkiego wyboru **M1 do M3** naciskać i przytrzymywać przyciski Ulubionych (4) na poszczególnych ulubionych stacjach, które mają zostać zaprogramowane.
- Wcisnąć przycisk **M Set (7)** w celu wyświetlenia lub zapisu kompletnej listy Ulubionych. Wybrać wcześniej stację, która ma być zapisana i wcisnąć przycisk **M SET (7)**. Przyciskami **TUNE +/-** znaleźć niezaprogramowaną jeszcze pozycję „**Preset Store (Empty)**”. Stacja zostanie automatycznie zapisana pod tą pozycją. W górnej, lewej części wyświetlacza LCD (9) pojawi się numer pozycji programu (np. P4).
- W celu otrzymania dodatkowych informacji RDS na temat stacji wcisnąć przycisk **INFO (6)** (np. informacji o programie, częstotliwości, STEREO/MONO, godzinie, dacie itp.).

## 8.4 Ustawienia ogólne lub systemowe

- W celu włączenia nadajnika wcisnąć i przytrzymać przez 1 s przycisk zasilania **POWER (11)** na nadajniku.
- Wcisnąć przycisk **INPUT (10)**, aż pojawi się tryb **AUX-IN**.
- Wcisnąć i przytrzymać przez ok. 2–3 sekundy przycisk **INFO (6)**, aż w menu na wyświetlaczu LCD pojawi się „**System**”.
- W celu wyboru ustawienia wcisnąć **TUNE + (5)** lub **TUNE - (8)**. Przyciskiem **INFO (6)** potwierdzić każdorazowo swój wybór. Przyciskiem **INPUT (10)** można zakończyć wprowadzenie/zmiany.
- Dostępne są następujące punkty menu:

### Time (Ustawianie daty i godziny)

Potwierdzić wybór, naciskając przycisk **Info (6)**.

Po kolei ustawić następujące informacje:

Set Time/Date (godzina/data)

Auto Update (automatyczna aktualizacja)

Set 12/24 hour (format godziny 12/24)

Set date format (format wyświetlania daty)

### Factory-Reset (Przywracanie ustawień fabrycznych)

Wybrać punkt menu **Factory Reset**.

Potwierdzić wybór, naciskając przycisk **INFO (6)**.

Wcisnąć **Tune + (5)** lub **Tune - (8)**, aby wybrać **YES (tak)** lub **NO (nie)**.

Potwierdzić wybór, naciskając przycisk **INFO (6)**.

### Aktualizacja oprogramowania

Aktualizacja oprogramowania dostępna tylko dla autoryzowanych sklepów specjalistycznych

## SW Version (Wyświetlanie wersji oprogramowania)

Wybrać punkt menu SW Version.

Potwierdzić wybór, naciskając przycisk **INFO (6)**.

Wyświetli się aktualna wersja oprogramowania.

## 8.5 Lokalizacja usterek

### 8.5.1 Brak dźwięku

- Należy upewnić się, czy zasilacz jest prawidłowo połączony z gniazdem elektrycznym w ścianie oraz z gniazdem nadajnika.
- Sprawdzić, czy słuchawki są włączone.
- Możliwe, że poziom naładowania słuchawek jest zbyt niski – w takim przypadku należy całkowicie naładować baterie.
- Upewnić się, że wybrane urządzenie TV lub audio jest włączone.
- Możliwe, że poziom głośności słuchawek jest ustawiony na zbyt niski.
- Sygnał audio może być ustawiony na zbyt niski. Zwiększyć poziom głośności w swoim urządzeniu odtwarzającym.
- Upewnić się, że nadajnik i odbiornik (słuchawki) są do siebie dostrójone (parowanie), patrz punkt 8.1.

### 8.5.2 Inne zakłócenia dźwięku (zaniki lub szумы)

- Upewnić się, że w słuchawkach ustawiony jest odpowiedni poziom głośności.
- Możliwe, że słuchawki znajdują się w zbyt dużej odległości od nadajnika.
- Sygnał audio może być ustawiony na zbyt niski. Zwiększyć poziom głośności w swoim urządzeniu odtwarzającym.
- Szumy: Upewnić się, że sygnał audio nie jest zbyt niski (szum bazowy urządzenia odtwarzającego).

## 9. Czyszczenie

Produkt można czyścić jedynie lekko zwilżoną szmatką. Do czyszczenia nie należy używać żadnych silnych i agresywnych detergentów.

## 10. Wyłączenie odpowiedzialności

Hama GmbH & Co. KG nie udziela gwarancji ani nie odpowiada za szkody wskutek niewłaściwej instalacji, montażu oraz nieprawidłowego stosowania produktu lub nieprzestrzegania instrukcji obsługi i/lub wskazówek bezpieczeństwa.

## 11. Serwis i pomoc techniczna

W razie pytań dotyczących produktu prosimy zwrócić się do infolinii Hama.

Gorąca linia: +49 9091 502-115 (niem./ang.)

Dodatkowe informacje są dostępne na stronie: [www.hama.com](http://www.hama.com)

## 12. Dane techniczne

### Słuchawki/nadajnik

Napięcie robocze	nadajnik 5 V, 550 mA, słuchawki: 2,4 V (2xAAA NiMH)
Zniekształcenia częstotliwościowe	< 1%

Odstęp sygnału od poziomu szumów	80 dB
Zasięg	maks. 30 metrów wewnątrz budynków (w zależności od konstrukcji ścian)
Zakres częstotliwości	20 Hz – 20 kHz
Maks. emitowana moc nadawania	6.82 dBm
Pasma/pasma częstotliwości	2406 – 2472 MHz

## Radio cyfrowe

Częstotliwość DAB	174–240 MHz
Pamięć nadajnika	10
DLS	Dynamic Label Service (Informacje tekstowe stacji radiowej dotyczące nadawanego programu)
Obsługiwane formaty DAB	MP2/AAC

## Radio UKF (FM)

Częstotliwość	87,5 – 108 MHz
Pamięć nadajnika	10
RDS	Radio Data System (Informacje dodatkowe stacji radiowej dotyczące nadawanego programu)

## 13. Informacje dotycząca recyklingu

### Wskazówki dotyczące ochrony środowiska:



Od czasu wprowadzenia europejskiej dyrektywy 2012/19/EU i 2006/66/EU do prawa narodowego obowiązują następujące ustalenia: Urządzeń elektrycznych, elektronicznych oraz baterii jednorazowych nie należy wyrzucać razem z codziennymi odpadami domowymi! Użytkownik zobowiązany prawnie do odniesienia zepsutych, zniszczonych lub niepotrzebnych urządzeń elektrycznych i elektronicznych do punktu zbiórki lub do sprzedawcy. Szczegółowe kwestie regulują przepisy prawne danego kraju. Informuje o tym symbol przekreślonego kosza umieszczony na opakowaniu. Segregując odpady pomagasz chronić środowisko!

## 14. Deklaracja zgodności



Hama GmbH & Co KG niniejszym oświadcza, że typ urządzenia radiowego [00131989] jest zgodny z dyrektywą 2014/53/UE. Pełny tekst deklaracji zgodności UE jest dostępny pod następującym adresem internetowym: [www.hama.com](http://www.hama.com) -> 00131989 -> Downloads.

Děkujeme, že jste si vybrali výrobek Thomson. Přečtěte si, prosím, všechny následující pokyny a informace. Uchovejte tento text pro případné budoucí použití. Pokud výrobek prodáte, předejte tento text novému majiteli.

## 1. Vysvětlení výstražných symbolů a pokynů

### Upozornění

Tento symbol označuje bezpečnostní upozornění, které poukazuje na určitá rizika a nebezpečí.

### Poznámka

Tento symbol označuje dodatečné informace nebo důležité poznámky.

## 2. Ovládací prvky a indikace

### 2.1 Vysílač/nabíjecí stanice (obr. 1)

1. Nabíjecí otvor a nabíjecí kontakty (zabezpečené proti přepólování)
2. LED dioda nabíjení (**CHARGE**)
3. Držák na sluchátka s integrovanou anténou DAB+/VKV

### Obslužné prvky

4. Tlačítka pro uložení rádia **M1-M3** (VKV nebo DAB+)
5. Automatické/ruční vyhledávání + (**TUNE +**)
6. Tlačítka pro dodatečné informace o rádiové stanici (**INFO**)
7. Vyrovnání max. 10 úložných pozic pro stanice na VKV nebo DAB+ (**M-SET**)
8. Automatické/ruční vyhledávání - (**TUNE -**)
9. Multifunkční LCD displej
10. Volič vstupů pro DAB+, VKV, AUX-IN a stavová LED dioda (**INPUT**)
11. Tlačítka zapnutí/vypnutí a stavová LED dioda (**POWER**)

### Přípojky na zadní straně

12. Audio vstup optický (digitální)
13. Volič vstupů: Optický nebo analogový
14. Audio vstup cinch (analogový)
15. DAB+/VKV rádio výstup (digitální)
16. DAB+/VKV rádio výstup (analogový)
17. Vstupní zásuvka DC (napájecí zdroj)

### 2.2 Sluchátka/rozhlasový přijímač (obr. 1)

18. Regulátor hlasitosti +/-
19. Vypínač sluchátek se stavovou LED diodou
20. Přímý audio vstup Line-in (analogový, 3,5 mm stereo jack)
21. Mušle sluchátek vpravo jako kryt příhrádky na baterie (R)
22. Nabíjecí kontakty sluchátek (zabezpečené proti přepólování)

### Dálkové ovládání (obr. 2)

23. Tlačítka Power (vypínač)
24. Ovládací tlačítka na dálkovém ovládání:
  - Automatické/ruční vyhledávání + (**TUNE +**)
  - Automatické/ruční vyhledávání - (**TUNE -**)
  - Vypnutí zvuku (**MUTE**)
  - Volič vstupů pro DAB+, VKV, AUX-IN (**INPUT**)

**Na zadní straně:** Kryt příhrádky na baterie na 2 baterie AAA/LR03 (nejsou součástí dodávky)

### 3. Obsah balení

- Tento návod k obsluze
- 1 sluchátka s vysílačem WHP 5407 (vysílač + sluchátka)
- 25. 2 baterie AAA NIMH (pouze do sluchátek)
- 26. 1 audio adaptér 3,5 mm/6,3 mm
- 27. 1 optický kabel
- 28. 1 audio adaptér konektor jack 3,5 mm – konektor cinch
- 29. 1 kabel audio adaptéru konektor 3,5 mm jack – konektor cinch
- 30. 1 audio kabel konektor cinch – konektor cinch
- 31. 1 audio kabel konektor 3,5 mm jack – konektor 3,5 mm jack
- 32. 1 napájecí zdroj (pro nabíjecí stanici)

### 4. Bezpečnostní pokyny

- Akumulátory a baterie nikdy neotvírejte, nepoškozujte, nepolykejte nebo nevyhazujte do okolí. Mohou obsahovat jedovaté těžké kovy škodící životnímu prostředí.
- Na akumulátorech/bateriích neprovádějte změny a/nebo je nedeformujte/nezahřívejte/nerozkládejte.
- Výrobek je určen pro použití v soukromých domácnostech.
- Výrobek používejte výhradně pro stanovený účel.
- Děti by měly být pod dozorem dospělé osoby, aby si s přístrojem nehrály.
- Výrobek nepoužívejte na místech, kde platí zákaz používání elektronických přístrojů.
- Výrobek provozujte pouze připojený ke schválené zásuvce. Zásuvka se musí nacházet v blízkosti výrobku a být snadno přístupná.
- Výrobek odpojte od sítě pomocí zapínače/vypínače – pokud tento není k dispozici, vytáhněte síťové vedení ze zásuvky.
- Všechny kabely pokládejte tak, aby nehrozilo nebezpečí zakopnutí.
- Kabel nelámějte a nestlačujte.
- Zabraňte pádu výrobku a výrobek nevystavujte velkým otřesům.
- Obalový materiál likvidujte ihned podle platných místních předpisů o likvidaci.
- Na výrobku neprovádějte žádné změny. Tím zanikají veškeré závazky ze záruky.
- Výrobek nepoužívejte, pokud je adaptér, připojovací kabel nebo síťové vedení poškozeno.
- Do výrobku samovolně nezasahujte a neopravujte ho. Veškeré úkony údržby přenechejte příslušnému odbornému personálu.
- Výrobek neotvírejte a v případě poškození již dále nepoužívejte.
- Výrobek chraňte před znečištěním. Nepoužívejte ve vlhkém prostředí a zabraňte styku s vodou. Používejte pouze v suchých prostorách.
- Výrobek používejte pouze při teplotě prostředí od 5°C do 40°C.
- Produkt používejte pouze tam, kde není zakázána bezdrátová 2,4GHz vysílací technologie.

## Upozornění – kardiostimulátor

- Použití tohoto výrobku může ovlivnit funkci kardiostimulátoru.
- Tento produkt generuje magnetické pole. Osoby s kardiostimulátorem by měly konzultovat použití tohoto výrobku s lékařem, zda by mohla být narušena funkce kardiostimulátoru.

## 5. Úvod

Tato 2,4 GHz digitální bezdrátová sluchátka s přijímačem DAB+ a VKV pracují s nejnovější rádiovou technologií a můžete si s nimi proto užívat čistého, křišťálově průzračného hudebního nebo TV zvuku v celém domě. Stačí je jen připojit k požadovanému zdroji zvuku. Přehrávač DVD, přehrávač CD, TV přístroj, televizor, HiFi zařízení, iPod nebo smartphone. Dále máte možnost chytat přímo do sluchátek digitální rádiové stanice přes DAB+ Standard a VKV, nebo tyto rádiové signály přenášet na další zdroje (např. stereo přehrávač nebo aktivní reproduktory).

## 6. Hlavní charakteristiky

- 2,4 GHz digitální vysílací technologie
- Automatická a digitálně kódovaný výběr kanálů rádiového přenosu
- Automatické vypnutí ukončí přenos, když chybí signál (nebo při nabíjení).
- Dosah až 10-15 m (podle podmínek prostředí), až 30 m na volném prostranství
- Vysílač jako držák sluchátek s ochranou proti přepólování při nabíjení
- Analogový nebo digitální výběr vstupu a výstupu signálu
- Smart Volume Memory (uložení naposledy nastavené hlasitosti)
- Vypínání zvuku
- DAB+/VKV rádio se třemi tlačítky pro přímý výběr uložených oblíbených stanic na vysílači
- LED displej k zobrazení rádiových stanic a dodatečných informací nebo výběr zdroje
- Dálkové ovládání k ovládání primárních funkcí
- Přímý vstup audio Line-In (sluchátka pasivně přímo např. na smartphone/MP3 pro mobilní použití)
- Lze použít i jako sluchátka s kabelem

## 7. Uvedení do provozu

### 7.1 Připojení vysílače

- Připojte napájecí zdroj do řádně instalované a snadno přístupné zásuvky a vstupní zdířky DC (17) vysílače.
- Pomocí jednoho z příložených audio kabelů (cinch nebo optický kabel) spojte audio vstup [ANALOG] (14) nebo [OPTICAL] (12) na zadní straně vysílače s odpovídajícím audio výstupem na přehrávačím zařízení (TV nebo audio zdroj).
- Nastavte volič vstupů [SELECT] (13) na použitý vstup (OPTICAL/ANALOG).

- Pokud chcete používat rádiový signál (DAB+ nebo VKV) na jiném zařízení (např. stereo přehrávač nebo aktivní reproduktory), můžete signál vést dále přes **DAB-OUTPUT** pomocí konektoru cinch (16) nebo optického kabelu (15) tak, jak je to popsáno ve schématu (obr. 4). K tomu budete případně potřebovat další přípojovací kabely.

### 7.2 Vložte baterie (sluchátka) (obr. 5)

#### Upozornění

- Při vkládání baterií vždy dbejte na správnou polaritu (+ a -). Při nesprávné polaritě hrozí nebezpečí vytečení baterií nebo exploze.
- Zabraňte úplnému vybití akumulátorů/baterií.
- Na akumulátorech/bateriích neprovádějte změny a/nebo je nedeformujte/nezahřívejte/nerozebírejte.
- Akumulátory/baterie nezkratujte a zabraňte jejich umístění v blízkosti neizolovaných kovových předmětů.
- Akumulátor, dron a nabíječka jsou vzájemně sladěny a směji být používány pouze v této dodané kombinaci.

#### Poznámka – baterie

- Dbejte na to, aby byl přístroj při výměně akumulátoru/baterie vypnutý.
- V případě delšího skladování výrobek pravidelně dobíjejte (nejméně každého čtvrt roku).
- Akumulátory je možné kdykoliv dobíjet, kompletní vybití před nabíjením není nutné.
- Před prvním použitím musíte dodané akumulátory vložit do sluchátek a nabit do plného stavu (cca 7 h).
- Otevřete kryt příhrádky na baterie. Za tímto účelem pevně přidržete zadní stranu pravého sluchátka (21) a otáčejte pravým náušníkem opatrně proti směru hodinových ručiček. (obr. 5)
- Vložte dodané 2 kusy baterií AAA do příhrádky na baterie, dodržte přitom správnou polaritu. Příhrádku na baterie uzavřete správným nasazením a otáčením sluchátka ve směru hodinových ručiček, dokud zřetelně nezapadne. (obr. 5)

### 7.3 Nabítí sluchátek

- Za tímto účelem sluchátka nejdříve zapněte tak, že přidržíte tlačítko **POWER (19)** stisknuté cca 2 sekundy (obr. 6). Přitom se rozsvítí červená LED dioda.
- Zapněte vysílač tlačítkem **POWER (11)** a počkejte, dokud se displej (9) nepřepne na „Auxiliary Input“.
- Zaveďte sluchátka nabíjecími kontakty (22) na nabíjecí kontakty (1) vysílače.
- Nabíjení se spustí automaticky a LED dioda nabíjení **CHARGE (2)** vysílače svítí zeleně, jakmile se nabíjecí kontakty vysílače a sluchátek spojí. Zařízení se přitom automaticky přepne do režimu standby.
- Jakmile je nabíjení ukončeno, zelená LED dioda nabíjení (2) zhasne.

## 8.0 Provoz

### 8.1 Příjem externího audio zdroje

#### Zapnutí vysílače

- Zapnete přehrávací zařízení (TV nebo audio komponenta), se kterým je vysílač spojen. Nejprve nastavte hlasitost na přibližně 30-40 % maximální hlasitosti, abyste si při nastavování nepoškodili sluch.
- Stisknete a přidržíte tlačítko **POWER (11)** po dobu jedné sekundy, tím zapnete vysílač. Stavová LED dioda **Power (11)** začne svítit modře. Stavová LED dioda **INPUT (10)** začne modře blikat (zobrazení **Auxiliary Input**).
- Stavová LED dioda **INPUT (10)** svítí trvale modře, pokud je přijímán audio signál.
- Pokud nedorazí k příjmu audio signálu, přepne se vysílač po cca 5 min. automaticky do režimu standby. Stavová LED dioda **Power (11)** svítí červeně.
- Alternativně můžete později používat tlačítko **POWER (23)** na dálkovém ovládání. Upozorňujeme, že to bude fungovat pouze, pokud bude vysílač v režimu standby. Stavová LED dioda **Power (11)** svítí červeně.

#### Zapnutí sluchátek/přijímače



#### Upozornění – hlasitost

- Používání výrobku Vás omezuje při vnímání okolních zvuků. Během používání proto neovládejte vozidla nebo stroje.
- Hlasitost udržujte vždy na přiměřené úrovni. Vysoká hlasitost může – i při krátkém trvání – způsobit poškození sluchu.
- Sluchátka zapnete tak, že stisknete a přidržíte po dobu cca 2 sekund tlačítko **POWER (19)**. **Stavová LED dioda Power (obr. 6)** se rozsvítí červeně, a jakmile dojde k signálovému spojení mezi vysílačem a sluchátky, rozsvítí se zeleně. Není-li zjištěn žádný audio signál, zůstane tato LED červená.



#### Upozornění spárování/naladění vysílače/přijímače

- Pokud zůstane LED dioda červená, je třeba vysílač a přijímač na sebe naladit. Za tímto účelem zcela vypnete vysílač tlačítkem **POWER (11)** a sluchátka tlačítkem **POWER (19)**. Na vysílači ani na sluchátkách nesvítí žádná LED dioda. Poté stisknete na sluchátkách tlačítko **POWER (19)**, dokud nezačne blikat **stavová LED dioda Power** zeleně (cca 5 sekund). V následujících 15 sekundách stisknete tlačítko **POWER (11)** na vysílači. Pokud je naladění (spárování) úspěšné, zazní akustický signál.
- Přehrávací zařízení (např. TV) by po úspěšném naladění mělo být slyšet ve sluchátkách.
- Nastavte náhlavní pás a nasadte si sluchátka.
- Pomocí **regulátoru hlasitosti (18)** na sluchátkách nastavte požadovanou hlasitost.



#### Poznámka

- Abyste dosáhli nejlepší možné kvality přehrávání, ztlumte nejprve hlasitost na sluchátkách (**18**) a nastavte hlasitost přehrávacího zařízení (např. TV) na 70-80 %. Následně upravte **hlasitost (18)** na sluchátkách podle svých potřeb. To je důležité zejména u analogového výstupu (např. výstup pro sluchátka na TV).
- Při nízkém stavu nabití baterií sluchátek bliká Power LED dioda (**obr. 6**) na sluchátkách červeně. Pět minut před automatickým vypnutím navíc zazní varovný tón: Jeden tón za minutu v posledních čtyřech minutách a dva tóny během poslední minuty. Potom se sluchátka automaticky vypnou.



#### Poznámka

- Při poruchách nebo špatném příjmu dojde k přepnutí sluchátek na ztlumenou hlasitost a LED dioda svítí červeně.
- Tato sluchátka lze také používat jako regulérní, kabelová sluchátka, když připojíte přes výstup přehrávacího zařízení analogový audio kabel (**obsah balení #31**) do 3,5 mm stereo vstupu jack na sluchátkách (**20**). Řiďte se podle technických údajů k výstupu audio zařízení/sluchátek v návodu k obsluze příslušného přehrávacího zařízení, nebo se v případě nejasností zeptejte prodejce.
- Když postavíte za provozu sluchátka na nabíjecí kontakty (1), sluchátka se vypnou (stavová LED dioda Power svítí červeně) a vysílač se přepne do režimu standby (stavová LED dioda Power (11) svítí červeně). Současně dojde k přerušení rádiového spojení a sluchátka se přepnou do režimu nabíjení (CHARGE) a svítí zeleně.
- Jakmile dojde opět k rozeznání audio signálu (a pokud sejmete sluchátka z nabíjecích kontaktů), vysílač se znovu automaticky zapne a stavová LED dioda Power (11) svítí modře, popř. stavová LED dioda Power (obr. 6) sluchátek svítí zeleně.

### 8.2 Příjem a přehrávání rádia DAB+



#### Upozornění – optimální příjem

- Tento produkt má teleskopickou anténu (obr. 3), která umožňuje příjem přes DAB+ a VKV.
- Upozornění:
- Anténu vždy zcela vytáhněte.
  - Pro optimální příjem doporučujeme vertikální vyrovnání antény.
  - Síla signálu se liší v mnoha případech podle místa instalace. Pro zlepšení příjmu vyberte místo v blízkosti okna.
  - Stisknete tlačítko **INPUT** na vysílači (**10**), pokud jste v režimu DAB (alternativně stisknete tlačítko **INPUT (24)** na dálkovém ovládání).

- Při první instalaci dojde k automatickému vyhledání stanic, nebo alternativně stisknete tlačítko **INFO (6)** pro spuštění automatického vyhledávání stanic (**Scanning**)
  - Stisknete a přidržíte tlačítko **TUNE+ (5)** nebo **TUNE – (8)** pro zobrazení seznamu dostupných stanic.
  - Stisknete tlačítko **TUNE + (5)** nebo **TUNE – (8)** pro výběr jedné stanice ze seznamu stanic (alternativně tlačítka **TUNE +** nebo **TUNE - (24)** na dálkovém ovládacím).
  - Výběr potvrďte stisknutím tlačítka **Info (6)** nebo vyčkejte, dokud se stanice automaticky nezmění.
  - Chcete-li uložit oblíbené položky pod tlačítka pro rychlý výběr stanic **M1 až M3**, stisknete a přidržíte jedno tlačítko pro oblíbené **(4)** na příslušné oblíbené stanici, kterou chcete mít pod tímto tlačítkem uloženo.
  - Stisknete tlačítko **M Set (7)** pro zobrazení všech oblíbených nebo pro jejich uložení. Nejprve vyberte stanici, kterou chcete uložit, a stisknete tlačítko **M SET (7)**. Pomocí tlačítek **TUNE +/-** najdete prázdné úložisko v „**Preset Store (Empty)**“.
  - Stanice se automaticky uloží na této poloze pro stanici.
  - Chcete-li získat další informace o dané DAB+ stanici, stisknete tlačítko **INFO (6)** několikrát (např. informace o programu, frekvence DAB+, informace o signálu, kvalita přenosu, čas, datum, síla signálu stanice apod.).
- Upozornění:** Zobrazení síly signálu u nejslabší stanice DAB+ vám může pomoci při vyrovnaní antény nebo umístění příslušné stanice.

### 8.3 Příjem a přehrávání rádia VKV

- Stisknete tlačítko **Input (10)**, abyste se dostali do režimu FM (příjem VKV) (alternativně stisknete tlačítko **INPUT (24)** na dálkovém ovládacím).
- Stisknete a přidržíte tlačítko **TUNE + (5)** nebo **TUNE- (8)** pro přístup k automatickému vyhledávání stanice podle následujícího nejsilnějšího příjmu dané stanice. Alternativně můžete nastavit ručně krátkým stisknutím tlačítka **TUNE + (5)** nebo **TUNE - (8)** požadovanou vysílací frekvenci. To můžete udělat i na dálkovém ovládacím pomocí tlačítek **TUNE+/- (24)**.
- Pro uložení požadované stanice můžete uložit vysílací frekvenci.
- Chcete-li uložit oblíbené položky pod tlačítka pro rychlý výběr stanic **M1 až M3**, stisknete a přidržíte jedno tlačítko pro oblíbené **(4)** na příslušné oblíbené stanici, kterou chcete mít pod tímto tlačítkem uloženo.
- Stisknete tlačítko **M Set (7)** pro zobrazení všech oblíbených, nebo pro jejich uložení. Nejprve vyberte stanici, kterou chcete uložit, a stisknete tlačítko **M SET (7)**. Pomocí tlačítek **TUNE +/-** najdete prázdné úložisko v „**Preset Store (Empty)**“.
- Stanice se automaticky uloží na této poloze pro stanici. Na LCD displeji **(9)** vlevo nahoře mu bude přiděleno číslo programu (např. P4).
- Pro získání dalších informací o stanici stisknete tlačítko **INFO (6)** několikrát (např. programové informace, frekvence, STEREO/MONO, čas, datum atd.).

### 8.4 Obecná a systémová nastavení

- Stisknete a přidržíte tlačítko **POWER (11)** vysílače po dobu jedné sekundy, tím zapnete vysílač.
- Opakovaně stisknete tlačítko **INPUT (10)**, dokud nenajdete režim **AUX-IN**.

- Stisknete a přidržíte tlačítko **INFO (6)** po dobu cca 2-3 s, dokud se nezobrazí „**System**“ v menu LCD.
- Stisknete tlačítko **TUNE + (5)** nebo **TUNE - (8)** pro výběr nastavení. Pomocí tlačítka **INFO (6)** potvrďte každé zadání. Pomocí tlačítka **INPUT (10)** ukončíte zadávání/změny.

- K dispozici máte následující body menu:

#### Time (nastavení data a času)

Výběr potvrďte stisknutím tlačítka **Info (6)**.

Postupně nastavte tyto informace:

Set Time/Date (čas/datum)

Auto Update (automatická aktualizace)

Set 12/24 hour (12/24hodinový formát)

Set date format (formát zobrazení data)

#### Factory-Reset (návrat na tovární nastavení)

Vyberte bod menu **Factory Reset**

Potvrďte výběr stisknutím tlačítka **INFO (6)**.

Stisknete tlačítko **Tune + (5)** nebo **Tune – (8)** pro výběr **YES** (ano) nebo **NO** (ne).

Potvrďte výběr stisknutím tlačítka **INFO (6)**.

#### Aktualizace softwaru

Aktualizaci softwaru provádí jen autorizovaný prodejce

#### SW Version (zobrazení verze softwaru)

Vyberte bod menu **SW version**.

Potvrďte výběr stisknutím tlačítka **INFO (6)**.

Zobrazí se aktuální verze softwaru.

## 8.5 Hledání chyb

### 8.5.1 Žádný zvuk

- Ujistěte se, že je napájecí zdroj správně propojen se zásuvkou na stěně a síťovou zásuvkou vysílače.
- Zkontrolujte zapnutí sluchátek.
- Možná, že je stav nabití sluchátek příliš nízký, v tomto případě dobijte baterie na plnou úroveň.
- Ujistěte se, zda je požadované TV nebo audio zařízení zapnuto a zda přehrává.
- Je možné, že je hlasitost na sluchátkách nastavena na příliš nízkou úroveň.
- Případně může být příliš slabý audio signál. Zvyšte hlasitost na přehrávacím zařízení.
- Ujistěte se, zda jsou vysílač a přijímač (sluchátka) na sebe naladěny (spárování), viz bod 8.1

### 8.5.2 Jiné rušení zvuku (výpadky nebo šumění)

- Ujistěte se, zda je vhodně nastavena hlasitost na sluchátkách.
- Je možné, že jsou sluchátka příliš vzdálena od vysílače.
- Případně může být příliš slabý audio signál. Zvyšte hlasitost na přehrávacím zařízení.
- Šumění: Ujistěte se, zda není audio signál příliš slabý (hluk pozadí přehrávacího zařízení).

## 9. Údržba a čištění

Zařízení čistíte jemným navlhčeným hadříkem, který nepouští žmolky. Při čištění nepoužívejte agresivní čisticí prostředky.

## 10. Vyloučení záruky

Hama GmbH & Co. KG nepřebírá žádnou odpovědnost nebo záruku za škody vzniklé neodbornou instalací, montáží nebo neodborným použitím výrobku nebo nedodržením návodu k použití a/nebo bezpečnostních pokynů.

## 11. Servis a podpora

Máte otázky k produktu? Obratěte na na poradenské oddělení Hama.

Horká linka: +49 9091 502-115 (německy/anglicky)

Další podpurné informace naleznete na adrese:

[www.hama.com](http://www.hama.com)

## 12. Technické údaje

### Sluchátka/vysílač

Provozní napětí	Vysílač 5 V, 550 mA, sluchátka: 2,4 V (2x AAA NiMH)
Zkreslení	< 1%
Odstup šumu	80 dB
Dosah	maximálně 30 metrů uvnitř budovy (podle vlastností stěn)
Kmitočtový rozsah	20 Hz – 20 kHz
Max. vyzářený výkon vysílače	6.82 dBm
Frekvenční pásmo/pásma	2406 – 2472 MHz

### Digitální rádio

Frekvence DAB	174–240 MHz
Úložiště stanic	10
DLS	Dynamic Label Service (doprovodné programové textové informace rádiové stanice)
Podporované formáty DAB	MP2/AAC

### VKV rádio (FM)

Frekvence	87,5 – 108 MHz
Úložiště stanic	10
RDS	Radio Data System (doprovodné programové informace rádiové stanice)

## 13. Pokyny k likvidaci

### Ochrana životního prostředí:



Evropská směrnice 2012/19/EU a 2006/66/EU ustanovuje následující: Elektrická a elektronická zařízení stejně jako baterie nepatří do domovního odpadu. Spotřebitel se zavazuje odevzdat všechna zařízení a baterie po uplynutí jejich životnosti do příslušných sběren. Podrobnosti stanoví zákon příslušné země. Symbol na produktu, návod k obsluze nebo balení na toto poukazuje. Recyklací a jinými způsoby využití přispíváte k ochraně životního prostředí.

## 14. Prohlášení o shodě



Tímto Hama GmbH & Co KG prohlašuje, že typ rádiového zařízení [00131989] je v souladu se směrnicí 2014/53/EU. Úplné znění EU prohlášení o shodě je k dispozici na této internetové adrese: [www.hama.com](http://www.hama.com) -> 00131989 -> Downloads.



Ďakujeme, že ste sa rozhodli pre výrobok Thomson. Prečítajte si všetky nasledujúce pokyny a informácie. Uchovajte tento návod na použitie pre prípadné budúce použitie. Ak výrobok predáte alebo darujete, dajte tento návod novému majiteľovi.

## 1. Vysvetlenie výstražných symbolov a upozornení



### Upozornenie

Tento symbol označuje bezpečnostné upozornenie, ktoré poukazuje na určité riziká a nebezpečenstvá.



### Poznámka

Tento symbol označuje dodatočné informácie, alebo dôležité poznámky.

## 2. Ovládacie prvky a indikátory

### 2.1 Vysielač/nabíjacia stanica (obr. 1)

1. Nabíjaci držiak a nabíjacie kontakty (s ochranou proti prepólovaniu)
2. LED indikátor nabíjania (**CHARGE**)
3. Držiak slúchadiel so vstavanou anténou DAB+/FM

### Ovládacie prvky

4. Tlačidlá na uloženie rozhlasových staníc do pamäte **M1 – M3** (FM alebo DAB+)
5. Automatické/manuálne vyhľadávanie + (**TUNE +**)
6. Tlačidlo na zobrazenie dodatočných informácií o rozhlasovej stanici (**INFO**)
7. Vyvolanie max. 10 uložených predvolieb rozhl. staníc v pásme FM alebo DAB+ (**M-SET**)
8. Automatické/manuálne vyhľadávanie – (**TUNE -**)
9. Multifunkčný LCD displej
10. Tlačidlo na výber vstupu pre DAB+, FM, AUX-IN a LED indikátor stavu (**INPUT**)
11. Vypínač a LED indikátor stavu (**POWER**)

### Prípojky na zadnej strane zariadenia

12. Audio vstup optický (digitálny)
13. Prepínač na výber vstupu: optický alebo analógový
14. Zvukový vstup typu Cinch (analogový)
15. Výstup rozhlasového vysielača DAB+/FM (digitálny)
16. Výstup rozhlasového vysielača DAB+/FM (analogový)
17. Vstupná zdierka DC (napájaci zdroj)

### 2.2 Slúchadlá/rozhlasový prijímač (obr. 1)

18. Regulátor hlasitosti +/-
19. Vypínač slúchadiel s LED indikátorom stavu
20. Priamy zvukový vstup Line-In (analogový 3,5 mm stereo konektor typu jack)
21. Pravá ušná mušľa ako kryt priestoru na batérie (R)
22. Nabíjacie kontakty slúchadiel (s ochranou proti prepólovaniu)

### Diaľkové ovládanie (obr. 2)

23. Tlačidlo POWER (vypínač)
24. Ovládacie tlačidlá diaľkového ovládania:
  - Automatické/manuálne vyhľadávanie + (**TUNE +**)
  - Automatické/manuálne vyhľadávanie – (**TUNE -**)
  - Vypnutie zvuku (**MUTE**)
  - Tlačidlo na výber vstupu pre DAB+, UKW, AUX-IN (**INPUT**)

**Zadná strana:** Kryt priestoru na batérie na 2 batérie typu AAA/LR03 (nie sú súčasťou balenia)

## 3. Obsah balenia

- Tento návod na používanie
- 1 bezdrôtové slúchadlá WHP 5407 (vysielač + slúchadlá)
- 25 x NiMH akumulátory typu AAA (výlučne pre slúchadlá)
- 26. 1 zvukový adaptér 3,5 mm/6,3 mm
- 27. 1 optický svetlovodivý kábel
- 28. 1 zvukový adaptér 3,5 mm zásuvkový konektor Jack – konektory Cinch
- 29. 1 zvukový adaptérový kábel 3,5 mm zástrčkový konektor Jack – konektory Cinch
- 30. 1 zvukový pripájací kábel s konektorom Cinch – konektorom Cinch
- 31. 1 zvukový pripájací kábel s 3,5 mm zástrčkovým konektorom Jack – 3,5 mm zástrčkovým konektorom Jack
- 32. 1 napájaci zdroj (pre nabíjaciú stanicu)

## 4. Bezpečnostné upozornenia

- Akumulátory a batérie nikdy neotvárajte, zabráňte ich poškodeniu, prehltnutiu alebo iniknutiu do životného prostredia. Môžu obsahovať jedovaté ťažké kovy, škodlivé pre životné prostredie.
- Akumulátory/batérie nemodifikujte a/alebo nedeformujte/ nezahrievajte/nerozoberajte.
- Výrobok je určený pre súkromné použitie v domácnosti, nie je určený na komerčné použitie.
- Výrobok používajte výlučne na stanovený účel.
- Na deti by sa malo dohliadať, aby sa zabezpečilo, že si nebudú s výrobkom hrať.
- Nepoužívajte výrobok v prostredí, v ktorom nie je používanie elektronických prístrojov dovolené.
- Výrobok napájajte iba zo schválenej zásuvky. Zásuvka musí byť umiestnená v blízkosti výrobku a musí byť ľahko prístupná.
- Výrobok odpojte od siete vypínačom I/O – ak neexistuje, vytriahnite sieťové vedenie zo zásuvky.
- Všetky káble umiestnite tak, aby nevzniklo nebezpečenstvo potknutia.
- Dbajte na to, aby kábel nebol zalomený alebo privretý.
- Výrobok nenechajte spadnúť a nevystavujte ho silným otrasom.
- Likvidujte obalový materiál okmžite podľa platných miestnych predpisov na likvidáciu odpadov.
- Na zariadení/prístroji nerobte žiadne zmeny. Má to za následok stratu akýchkoľvek nárokov na plnenie zo záruky.
- Výrobok nepoužívajte, ak sú poškodené adaptéry, pripojovací kábel alebo sieťové vedenie.
- Nepokúšajte sa prístroj samostatne ošetrovať alebo opravovať. Prenechajte akékoľvek úkony údržby kompetentnému odbornému personálu.

- Výrobok neotvárajte a nepoužívajte ho ďalej, ak je poškodený.
- Výrobok chráňte pred znečistením. Nepoužívajte vo vlhkom prostredí a zabráňte styku s vodou. Používajte iba v suchých priestoroch.
- Výrobok používajte len pri teplote prostredia od 5°C do 40°C.
- Výrobok používajte výlučne v prostrediach, v ktorých je povolené používanie technológie bezdrôtového vysielania v pásme 2,4 GHz.



### Upozornenie – kardiostimulátor

- Použitie tohto výrobku môže ovplyvniť funkciu kardiostimulátora.
- Tento produkt generuje magnetické pole. Osoby s kardiostimulátorom by mali konzultovať použitie tohto výrobku s lekárom, či by mohla byť narušená funkcia kardiostimulátora.

## 5. Úvod

Tieto 2,4 GHz digitálne bezdrôtové slúchadlá s prijímačom rozhlasového vysielania v pásmach DAB+ a FM využívajú najmodernejšiu rádiovú technológiu a umožňujú vám vychutnať si krištáľovo čistý zvuk hudby alebo TV vysielania v celej domácnosti. Na tento účel postačí jednoducho pripojiť vysieláč k požadovanému zdroju zvuku: DVD prehrávaču, CD prehrávaču, TV prijímaču, televízoru, HiFi zariadeniu, prehrávaču iPod alebo smartfónu. Okrem toho máte možnosť prijímať priamo v slúchadlách digitálne rozhlasové vysielanie v pásme DAB+ Standard a FM, resp. prenášať toto rozhlasové vysielanie do iných zvukových zariadení (napr. stereo sústavy alebo aktívnych reproduktoroch).

## 6. Hlavné funkcie a vlastnosti

- Technológia digitálneho bezdrôtového prenosu v pásme 2,4 GHz
- Automatická a digitálne kódovaná voľba kanálov bezdrôtového prenosu
- Automatické vypnutie ukončí prenos, keď sa neprenáša žiadny signál (resp. v režime nabíjania).
- Dosah až 10-15 m (podľa daných podmienok prostredia), až do 30 m na otvorenom priestranstve
- Vysieláč slúži ako stojan na slúchadlá s ochranou pri prepólovaniu pri nabíjaní
- Výber analógových alebo digitálnych vstupov a výstupov signálu
- Funkcia Smart Volume Memory (uloženie naposledy nastavennej hlasitosti do pamäte)
- Vypnutie zvuku
- DAB+/FM rádioprijímač s tromi tlačidlami priamej voľby obľúbenej stanice, ktoré je možné uložiť vo vysieláči
- LED displej na indikáciu rozhlasových staníc a dodatočných informácií, resp. výber zdroja
- Diaľkový ovládač na ovládanie hlavných funkcií
- Priamy zvukový vstup Line-In (priame pasívne pripojenie slúchadiel k napr. smartfónu/MP3 prehrávaču na mobilné využívanie)
- Je možné ich využívať aj ako káblovo pripojené slúchadlá

## 7. Uvedenie do prevádzky

### 7.1 Pripojenie vysieláča

- Napájací zdroj pripojte k riadne nainštalovanej a ľahko prístupnej elektrickej zásuvke a k vstupnej zdierke DC (17) na vysieláči.
- Jeden z priložených zvukových káblov (Cinch alebo optický kábel) pripojte k zvukovým vstupom **[ANALOG] (14)** alebo **[OPTICAL] (12)** na zadnej strane vysieláča a k príslušnému zvukovému výstupu na vami zvolenom zdroji zvuku (TV alebo zvukové zariadenie).
- Prepínač na výber vstupu **[SELECT] (13)** nastavte na vami zvolený vstup (**OPTICAL / ANALOG**).
- Ak chcete rozhlasové vysielanie (DAB+ alebo FM) preniesť do ďalšieho zariadenia (napr. do stereo súpravy alebo aktívnych reproduktorov), máte možnosť prenášať tieto signály ďalej cez výstup **DAB-OUTPUT** prostredníctvom konektora Cinch (16) alebo optického kábla (15) podľa znázornenia na schéme (obr. 4). V určitých prípadoch budete na tento účel potrebovať ďalšie pripájacie káble.

### 7.2 Vloženie akumulátorov (slúchadlá) (obr. 5)



#### Upozornenie

- Pri vkladaní batérií vždy dbajte na správnu polaritu (+ a -). Pri nesprávnej polarite hrozí nebezpečenstvo vytečenia batérií alebo explózie.
- Zabráňte úplnému vybitiu akumulátorov/batérií.
- Na akumulátoroch/batériách nerobte žiadne zmeny a/ani ich nedeformujte/negahrievajte/nerozoberajte.
- Akumulátory/batérie neskrutujte a zabráňte ich umiestneniu v blízkosti neizolovaných kovových predmetov.
- Akumulátory a nabíjacia stanica sú navzájom kompatibilné a je možné ich používať jedine v dodanej kombinácii.



#### Poznámka – akumulátory

- Dbajte na to, aby vaše zariadenie bolo pri výmene akumulátora/batérie vypnuté.
- Pri dlhšom uskladnení zariadenie pravidelne dobíjajte (min. štvrtročne).
- Akumulátory je možné kedykoľvek dobiť, úplné vybitie pred nabíjaním nie je potrebné.
- Pred prvým použitím musíte vložiť dodané akumulátory do slúchadiel a úplne ich nabiť (cca 7 h).
- Otvorte kryt batérovej priehradky. Na tento účel podržte pevne zadnú stranu pravej ušnej mušle (21) a opatrne odkrúťte pravý ušný vankúšik proti smeru hodinových ručičiek. (obr. 5)
- Vložte dva dodané akumulátory typu AAA do batérovej priehradky so správnou polaritou. Riadne zatvorte priehradku na batérie vsadením a otočením ušnej mušle v smere hodinových ručičiek, kým citelne nezapadne. (obr. 5)

### 7.3 Nabíjanie slúchadiel

- Na tento účel najskôr zapnite slúchadlá stlačením tlačidla **POWER (19)** a jeho podržaním na cca 2 sekundy (**Obr. 6**). Pritom bude svietiť červený LED indikátor.
- Pomocou tlačidla **POWER (11)** zapnite vysielач a počkajte, kým sa zobrazenie na displeji (**9**) neprepne na „**Auxiliary Input**“.
- Zaveste slúchadlá nabíjacími kontaktmi (**22**) na nabíjacie kontakty (**1**) na vysielачi.
- Keď sa nabíjacie kontakty vysielачa pripoja k nabíjacím kontaktom na slúchadlách, automaticky sa spustí nabíjanie a LED indikátor nabíjania **CHARGE (2)** na vysielачi bude svietiť nazeleno. Zariadenie sa potom automaticky prepne do pohotovostného režimu.
- Po dokončení nabíjania zhasne zelený LED indikátor nabíjania (**2**).

### 8.0 Prevádzka

#### 8.1 Prijímanie externého zvukového zdroja

##### Zapnutie vysielачa

- Zapnite prehrávacie zariadenie (TV alebo zvukové komponenty), ku ktorému je pripojený váš vysielач. Najskôr nastavte hlasitosť na cca 30 – 40 % maximálnej hlasitosti, aby ste predišli poškodeniu sluchu pri inštalácii.
- Stlačením a podržaním tlačidla **POWER (11)** na jednu sekundu zapnete vysielач. LED indikátor stavu **Power (11)** začne svietiť namodro. LED indikátor stavu **INPUT (10)** začne blikať namodro (zobrazenie **Auxiliary Input**).
- Po zachytení zvukového signálu bude LED indikátor stavu **INPUT (10)** svietiť neprerušovane namodro.
- Ak sa nepodarí zachytiť žiadny zvukový signál, prijímač sa po cca 5 minútach automaticky prepne do pohotovostného režimu. LED indikátor stavu **napájania (11)** svieti načerveno.
- Prípadne môžete neskôr použiť tlačidlo **POWER (23)** na diaľkovom ovládaní. Upozorňujeme, že pritom musí byť vysielач v pohotovostnom režime. LED indikátor stavu **napájania (11)** svieti načerveno.

##### Zapnutie slúchadiel/prijímača



##### Upozornenie – hlasitosť

- Pri používaní výrobku je obmedzené vnímanie hlukov okolia. Počas jeho používania preto neobsluhujte žiadne vozidlá alebo stroje.
- Udržiavajte hlasitosť vždy na rozumnej úrovni. Nadmerné hlasitosti môžu – aj pri krátkom pôsobení – spôsobiť poškodenie sluchu.
- Ak chcete zapnúť slúchadlá, stlačte a cca 2 sekundy podržte stlačené tlačidlo **POWER (19)**. **LED indikátor stavu napájania (obr. 6)** sa rozsvieti načerveno a keď sa vysielач signálom prepojí so slúchadlami, začne indikátor svietiť nazeleno. Ak sa nezachytí žiadny zvukový signál, bude LED indikátor ďalej svietiť načerveno.



##### Upozornenie týkajúce sa párovania/zladenia vysielачa a prijímača

- Ak LED indikátor zostane svietiť načerveno, musia sa vysielач a prijímač navzájom spárovať. Na tento účel najskôr úplne vypnite vysielач pomocou tlačidla **POWER (11)** a slúchadlá pomocou tlačidla **POWER (19)**. Na vysielачi ani slúchadlách nebude svietiť žiadny LED indikátor. Potom na slúchadlách stlačte tlačidlo **POWER (19)**, až kým nezačne **LED indikátor stavu Power** blikať nazeleno (cca 5 sekúnd). V priebehu nasledujúcich 15 sekúnd stlačte na vysielачi tlačidlo **POWER (11)**. Pri úspešnom zladení (spárovaní) zaznie zvukový signál.
- Po úspešnom spárovaní musí byť zvuk zo zdrojového zariadenia (napr. TV) počuť v slúchadlách.
- Nastavte náhlavný pás a nasadte si slúchadlá.
- Pomocou **regulátora hlasitosti (18)** na slúchadlách nastavte požadovanú hlasitosť.

##### Poznámka

Aby ste dosiahli čo najkvalitnejšiu reprodukciu zvuku, najskôr znížte hlasitosť slúchadiel (**18**) a nastavte hlasitosť zdrojového zvukového zariadenia (napr. TV) na cca 70 – 80 %. Následne prispôbte podľa svojich potrieb **hlasitosť (18)** v slúchadlách. Tento krok je dôležitý najmä pri použití analógového vstupu (napr. výstup slúchadiel na televízore).

- Ak sú batérie v slúchadlách slabé alebo takmer vybité, bliká **LED indikátor napájania (obr. 6)** na slúchadlách načerveno. Päť minút pred automatickým vypnutím zaznie navyše aj výstražný tón: jeden tón za minútu počas posledných štyroch minút a dva tóny počas plynutia poslednej minúty. Potom sa slúchadlá automaticky vypnú.

##### Poznámka

- V prípade porúch alebo zlého príjmu vypnúť slúchadlá zvuk a LED indikátor svieti načerveno.
- Tieto slúchadlá je možné používať aj ako bežné, káblové pripojené slúchadlá, stačí prepojiť výstupný slúchadlový konektor na zdrojovom zvukovom zariadení prostredníctvom analógového zvukového kábla (**položka balenia č. 31**) s 3,5 mm stereo zásuvkou typu Jack na slúchadlách (**20**). Zohľadnite pritom technické údaje o zvukovom/slúchadlovom výstupe uvedené v návode na obsluhu daného zdrojového zvukového zariadenia alebo sa v prípade nejasností poraďte s odborníkom.
- Keď slúchadlá položíte počas prevádzky na nabíjacie kontakty (**1**), slúchadlá sa vypnú (LED indikátor stavu napájania svieti načerveno) a vysielач prejde do pohotovostného režimu (LED indikátor stavu napájania (**11**) svieti načerveno). Súčasne sa pritom preruší rádiové pripojenie a slúchadlá prejdú do režimu nabíjania, indikátor (CHARGE) svieti nazeleno.

- Keď sa znova zachytí zvukový signál (a slúchadlá sú zložené z nabíjajúcich kontaktov), vysielateľ sa znova automaticky zapne a LED indikátor stavu napájania (11) bude svietiť namodro, resp. LED indikátor stavu napájania (obr. 6) na slúchadlách bude svietiť nazeleno.

## 8.2 Príjem a prehrávanie digitálneho rozhlasového vysielania DAB+

### Upozornenie – optimálny príjem

Tento výrobok je vybavený teleskopickou anténou (obr. 3), ktorá umožňuje prijímať signály vysielania DAB+ a FM.

Nezabudnite:

- Anténu vždy úplne vyťahnite.
  - Na dosiahnutie optimálneho príjmu odporúčame nastaviť anténu do kolmej polohy.
  - Intenzita signálu sa v mnohých prípadoch líši v závislosti od umiestnenia prístroja. Na zlepšenie príjmu umiestnite prístroj do blízkosti okna.
  - Stlačte tlačidlo **INPUT** na vysielateľ (10), až kým sa neprepne do režimu DAB (prípadne tlačidlo **INPUT (24)** na diaľkovom ovládaní).
  - Pri úvodnej inštalácii sa potom vykoná automatické vyhľadanie rozhlasových staníc, prípadne stlačením tlačidla **INFO (6)** spustíte automatické vyhľadávanie staníc (**Scanning**)
  - Stlačením a podržaním tlačidla **TUNE+ (5)**, resp. **TUNE – (8)** zobrazíte zoznam dostupných rozhlasových staníc.
  - Stlačením tlačidla **TUNE + (5)**, resp. **TUNE – (8)** vyberte zo zoznamu rozhlasovú stanicu (prípadne použite tlačidlá **TUNE +** alebo **TUNE - (24)** na diaľkovom ovládaní).
  - Stlačením tlačidla **Info (6)** potvrdíte svoj výber alebo počkajte, kým sa rozhlasová stanica automaticky nepreladí.
  - Ak chcete pod programové tlačidlá rýchlej voľby **M1 až M3** uložiť stanice, stlačte a podržte niektoré z tlačidiel obľúbených staníc (4) pri ľubovoľnej naladenej stanici, ktorú chcete tomuto tlačidlu priradiť.
  - Stlačením tlačidla **M Set (7)** zobrazte, resp. uložte úplný zoznam svojich obľúbených staníc. Vyberte pritom predtým ukľadanú rozhlasovú stanicu a stlačte tlačidlo **M SET (7)**. Pomocou tlačidiel **TUNE +/-** vyhľadajte prázdne miesto v pamäti označené „**Preset Store (Empty)**“. Rozhlasová stanica sa automaticky uloží na tejto pozícii predvoľby.
  - Ak chcete získať dodatočné informácie o danej rozhlasovej stanici DAB+, niekoľkokrát stlačte tlačidlo **INFO (6)** (napr. informácie o programe, frekvenciu vysielania DAB+, informácie o signále, kvalitu prenosu signálu, čas, dátum a intenzitu signálu rozhlasovej stanice a pod.).
- Upozornenie:** Ukazovateľ intenzity signálu najslabšej rozhlasovej stanice DAB+ môže byť užitočný pri nastavovaní tyčovej antény, resp. pri nastavovaní polohy vysielacej stanice.

## 8.3 Príjem a prehrávanie rozhlasového vysielania v pásme FM

- Opakovane stlačte tlačidlo výberu vstupu (10), až kým neprejdete do režimu FM (príjem v pásme FM) (prípadne tlačidlo **INPUT (24)** na diaľkovom ovládaní).
- Stlačením a podržaním tlačidla **TUNE + (5)**, resp. **TUNE- (8)** aktivujete automatické vyhľadávanie rozhlasových staníc až po najbližšiu stanicu s dostatočne silným signálom. Prípadne môžete krátkymi stlačeniami tlačidiel **TUNE + (5)**, resp. **TUNE - (8)** ručne nastaviť požadovanú vysielaciu frekvenciu. To isté je možné vykonať aj pomocou tlačidiel diaľkového ovládania **TUNE+/- (24)**.
- Ak chcete požadovanú rozhlasovú stanicu uložiť, môžete v tomto kroku uložiť danú vysielaciu frekvenciu.
- Ak chcete pod programové tlačidlá rýchlej voľby **M1 až M3** uložiť stanice, stlačte a podržte niektoré z tlačidiel obľúbených staníc (4) pri ľubovoľnej naladenej stanici, ktorú chcete tomuto tlačidlu priradiť.
- Stlačením tlačidla **M Set (7)** zobrazte, resp. uložte úplný zoznam svojich obľúbených staníc. Vyberte pritom predtým ukľadanú rozhlasovú stanicu a stlačte tlačidlo **M SET (7)**. Pomocou tlačidiel **TUNE +/-** vyhľadajte prázdne miesto v pamäti označené „**Preset Store (Empty)**“. Rozhlasová stanica sa automaticky uloží na tejto pozícii predvoľby. Prítom sa v hornej ľavej časti LCD displeja (9) zobrazuje číslo naprogramovanej predvoľby (napr. P4).
- Ak chcete získať dodatočné informácie RDS o danej rozhlasovej stanici, niekoľkokrát stlačte tlačidlo **INFO (6)** (napr. informácie o programe, frekvencii, režime STEREO/MONO, čase, dátum a pod.).

## 8.4 Všeobecné, resp. systémové nastavenia

- Stlačením a sekundovým podržaním tlačidla **POWER (11)** na vysielateľ ho zapnite.
- Opakovane stlačte tlačidlo **INPUT (10)**, až kým neprejdete do režimu **AUX-IN**.
- Stlačte a cca 2 – 3 sekundy podržte tlačidlo **INFO (6)**, až kým sa v ponuke na LCD displeji nezobrazí položka „**System**“ (Systém).
- Stlačením tlačidla **TUNE + (5)**, resp. **TUNE - (8)** vyberte požadované nastavenie. Vami zvolené zadanie potvrdíte stlačením tlačidla **INFO (6)**. Prostredníctvom tlačidla **INPUT (10)** ukončíte zadávanie/zmenu nastavení.
- Sú dostupné nasledujúce položky ponuky:

### **Time (Čas) (nastavenia dátumu a času)**

Svoj výber potvrdíte stlačením tlačidla **Info (6)**.

Postupne nastavte nasledujúce informácie:

Set Time/Date (Nastaviť čas/dátum)

Auto Update (Automatická aktualizácia)

Set 12/24 hour (Nastaviť 12/24-hodinový formát času)

Set date format (Nastaviť formát zobrazenia dátumu)

## Factory-Reset (Obnovenie výrobných nastavení)

Vyberte položku ponuky Factory Reset

Svoj výber potvrdíte stlačením tlačidla **INFO (6)**.

Stlačením tlačidla **Tune + (5)**, resp. **Tune – (8)** môžete vybrať z možností YES (Áno) alebo NO (Nie).

Svoj výber potvrdíte stlačením tlačidla **INFO (6)**.

## Software Upgrade (Aktualizácia softvéru)

Aktualizovanie softvéru, určené iba pre špecializovaných predajcov

## SW Version (Verzia softvéru) (zobrazenie verzie softvéru)

Vyberte položku ponuky SW Version (Verzia softvéru).

Svoj výber potvrdíte stlačením tlačidla **INFO (6)**.

Zobrazí sa aktuálna verzia softvéru.

## 8.5 Vyhľadávanie porúch

### 8.5.1 Žiadny zvuk

- Uistite sa, že je napájací zdroj správne zapojený do elektrickej zásuvky a sieťovej zásuvky vysielača.
- Skontrolujte, či sú slúchadlá zapnuté.
- Možno je kapacita nabitia akumulátorov v slúchadlách príliš nízka, v tomto prípade ich úplne nabite.
- Uistite sa, že je zapnuté požadované televízne alebo zvukové zariadenie a že prehráva zvuk.
- Možno je na slúchadlách nastavená príliš nízka hlasitosť.
- Prípadne môže byť zvukový signál príliš slabý. Zvýšte hlasitosť na danom prehrávačom zariadení.
- Uistite sa, že je vysielač spárovaný s prijímačom (slúchadla-mi), pozri bod 8.1

### 8.5.2 Iné poruchy zvuku (vypadávanie alebo šum)

- Uistite sa, že je na slúchadlách správne nastavená hlasitosť.
- Možno sú slúchadlá príliš ďaleko od vysielača.
- Prípadne môže byť zvukový signál príliš slabý. Zvýšte hlasitosť na danom prehrávačom zariadení.
- Šum: Uistite sa, že nie je zvukový signál príliš nízky (základný šum prehrávacieho zariadenia).

## 9. Údržba a starostlivosť

Zariadenie čistite jemne navlhčenou handričkou, ktorá nezanecháva žmolký. Pri čistení nepoužívajte agresívne čistiace prostriedky.

## 10. Vylúčenie záruky

Firma Hama GmbH & Co KG neručí/nezodpovedá za škody vyplývajúce z neodbornej inštalácie, montáže alebo neodborného používania výrobku alebo z nerešpektovania návodu na používanie a/alebo bezpečnostných pokynov.

## 11. Servis a podpora

S otázkami týkajúcimi sa výrobku sa prosím obráťte na poradenské oddelenie firmy Hama.

Hotline: +49 9091 502-115 (nem./angl.)

Ďalšie informácie o podpore nájdete tu: [www.hama.com](http://www.hama.com)

## 12. Technické údaje

### Slúchadlá/vysielač

Prevádzkové napätie	Vysielač 5 V, 550 mA; slúchadlá: 2,4 V (2 x AAA NiMH)
Skreslenie	< 1%
Odstup šumu	80 dB
Dosah	maximálne 30 metrov v interiéri (v závislosti od daných vlastností stien)
Frekvenčný rozsah	20 Hz – 20 kHz
Max. vyžarovaný vysielač výkon	6.82 dBm
Frekvenčné pásmo/frekvenčné pásma	2406 – 2472 MHz

### Digitálne rozhlasové vysielanie

Frekvencia DAB	174–240 MHz
Pamäť rozhlasových staníc	10
DLS	Dynamic Label Service (textové informácie rozhlasovej stanice vysielané spolu s programom)
Podporované formáty vysielania DAB	MP2/AAC

### Rozhlasové vysielanie v pásme FM

Frekvencia	87,5 – 108 MHz
Pamäť rozhlasových staníc	10
RDS	Radio Data System (dodatocne informácie rozhlasovej stanice vysielané spolu s programom)

## 13. Pokyny pre likvidáciu

### Ochrana životného prostredia:



Európska smernica 2012/19/EU a 2006/66/EU stanovuje: Elektrické a elektronické zariadenia, rovnako ako batérie sa nesmú vyhadzovať do domáceho odpadu. Spotrebiteľ je zo zákona povinný zlikvidovať elektrické a elektronické zariadenia, rovnako ako batérie na miesta k tomu určené. Symbolizuje to obrázok v návode na použitie, alebo na balení výrobku. Opätovným užitkovaním alebo inou formou recyklácie starých zariadení/batérií prispievate k ochrane životného prostredia.

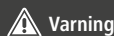
## 14. Vyhlásenie o zhode



Hama GmbH & Co KG týmto vyhlasuje, že rádiové zariadenie typu [00131989] je v súlade so smernicou 2014/53/EU. Úplné EÚ vyhlásenie o zhode je k dispozícii na tejto internetovej adrese: [www.hama.com](http://www.hama.com) -> 00131989 -> Downloads.

Tack för att du valt att köpa en Thomson produkt. Ta dig tid och läs först igenom de följande anvisningarna och hänvisningarna helt och hållet. Förvara sedan den här bruksanvisningen på en säker plats för att kunna titta i den när det behövs. Om du gör dig av med apparaten ska du lämna bruksanvisningen till den nya ägaren.

## 1. Förklaring av varningssymboler och hänvisningar



### Varning

Används för att markera säkerhetshänvisningar eller för att rikta uppmärksamheten mot speciella faror och risker.



### Hänvisning

Används för att markera ytterligare information eller viktiga hänvisningar.

## 2. Manöverelement och indikeringar

### 2.1 Sändare/laddningsstation (bild 1)

1. Laddningshållare och laddningskontakter (polvändningssäkra)
2. Laddningsindikerings-LED (**CHARGE**)
3. Hörlurshållare med inbyggd DAB+/UKW-antenn

### Manöverelement

4. Lagringsknappar för radiosändare **M1–M3** (UKW eller DAB+)
5. Automatisk/manuell sökning + (**TUNE +**)
6. Knapp för extra information om radioprogrammet (**INFO**)
7. Möjligt att öppna max. 10 programlagringsplatser med UKW eller DAB+ (**M-SET**)
8. Automatisk/manuell sökning - (**TUNE -**)
9. Multifunktions-LCD-skärm
10. Knapp för val av ingång för DAB+, UKW, AUX-IN och statuslysdiod (**INPUT**)
11. Strömbrytare och statuslysdiod (**POWER**)

### Anslutningar på baksidan

12. Ljudingång optisk (digital)
13. Ingångsväljare: Optisk eller analog
14. Ljudingång cinch (analog)
15. DAB+/UKW radioutgång (digital)
16. DAB+/UKW radioutgång (analog)
17. DC-ingång (nätadapter)

### 2.2 Hörlurar/radiomottagare (bild 1)

18. Volymreglage +/-
19. Strömbrytare för hörlurar med statuslysdiod
20. Direkt Audio-Line-In (analog 3,5 mm stereokontakt)
21. Höger öronmussla som skydd för batterifacket (R)
22. Laddningskontakter för hörlurar (polvändningssäkra)

### Fjärrkontroll (bild 2)

23. Power-knapp (strömbrytare)
24. Styrvreden för fjärrkontroll:
  - Automatisk/manuell sökning + (**TUNE +**)
  - Automatisk/manuell sökning - (**TUNE -**)
  - Ljudlöst läge (**MUTE**)
  - Knapp för val av ingång för DAB+, UKW, AUX-IN (INPUT)

**Baksidan:** Skydd för batterifack för 2x AAA/ LR03-batterier (medföljer ej)

## 3. Förpackningens innehåll

- denna bruksanvisning
- 1 fjärrstyrda hörlurar WHP 5407 (sändare + hörlurar)
- 25. 2 x AAA NiMH-batterier (endast för hörlurarna)
- 26. 1 ljudadapter 3,5 mm/6,3 mm
- 27. 1 optisk kabel
- 28. 1 ljudadapter 3,5 mm telekoppling – cinch-stickkontakt
- 29. 1 ljudadapterkabel 3,5 mm-teleplugg – cinch-stickkontakt
- 30. 1 ljudanslutningskabel med cinch-stickkontakt – cinch-stickkontakt
- 31. 1 ljudanslutningskabel 3,5 mm-teleplugg – 3,5 mm-teleplugg
- 32. 1 nätaggregat (för laddningsstationen)

## 4. Säkerhetsanvisningar

- Öppna, skada och svälj aldrig uppladdningsbara batterier och vanliga batterier och släng dem inte i naturen. De kan innehålla giftiga tungmetaller som är skadliga för miljön.
- Förändra och/eller deformera inte uppladdningsbara/vanliga batterier och varm inte upp dem eller plocka isär dem.
- Produkten är avsedd för privat hemanvändning, inte yrkesmässig användning.
- Använd bara produkten till det som den är avsedd för.
- Barn ska hållas under uppsikt för att säkerställa att de inte leker med apparaten.
- Använd inte produkten inom områden där elektroniska apparater inte är tillåtna.
- Använd bara produkten när den är ansluten till ett godkänt eluttag. Eluttaget måste sitta i närheten av produkten och vara lätt att nå.
- Skilj produkten från elnätet med hjälp av strömbrytaren – om den saknas drar du ut elsladden ur eluttaget.
- Dra alla kablar så att det inte går att snubbla på dem.
- Böj och kläm inte kabeln.
- Tappa inte produkten och utsätt den inte för kraftiga vibrationer.
- Kasserera förpackningsmaterialet direkt enligt lokalt gällande kasseringsregler.
- Förändra ingenting på produkten. Då förlorar du alla garantianspråk.
- Använd inte produkten när adaptern, anslutningskabeln eller elsladden är skadade.
- Försök inte serva eller reparera produkten själv. Överlåt allt servicearbete till ansvarig fackpersonal.
- Öppna inte produkten och använd den inte mer om den är skadad.
- Skydda produkten mot smuts, fukt och överhettning och använd den bara i inomhusmiljöer.

- Produkten får endast användas vid omgivningstemperaturer på 5°C till 40°C.
- Använd endast produkten i miljöer där man får använda en trådlös 2,4 GHz-fjärrstyrningsteknik.

### Varning – pacemakers

- Kroppsströmmarna som strömmar när den här produkten används kan påverka en pacemakers funktion.
- Produkten genererar magnetiska fält. Personer med pacemaker bör rådgöra med läkare innan den här produkten används eftersom den kan påverka pacemakers funktion.

## 5. Inledning

Vid konstruktionen av de här 2,4 GHz digitala trådlösa hörlurarna med DAB+ och UKW-mottagning har vi tillämpat den senaste radiotekniken, vilket gör det möjligt för dig att lyssna på musik eller ljud från tv:n i ren och kristallklar kvalitet i hela huset. Det enda du behöver göra är att ansluta sändaren till valfri ljudkälla. DVD-spelare, CD-spelare, tv-apparat, HiFi-anläggning, iPod eller smartphone. Dessutom kan du motta digitala radioprogram via DAB+ standard och UKW-radiosignaler direkt i hörlurarna eller skicka radiosignalerna till en annan källa (t.ex. en stereoanläggning eller en påslagen högtalare).

## 6. Huvudfunktioner

- 2.4 GHz-digital radioteknik
- Automatiskt och digitalt kodat val av kanal för radioöverföring
- När det inte sänds några fler signaler (eller vid laddning) bryts överföringen med en automatisk avstängningsmekanism.
- Räckvidd upp till 10-15 m (beroende på omgivningsförhållanden), upp till 30 m vid fri sikt
- Sändare som hörlursstativ med skydd mot polvändning vid laddning
- Analogt eller digitalt val av ingångar och utgångar för signalerna
- Smart Volume Memory (lagring av den senast inställda volymen)
- Ljudlös-funktion
- DAB+/UKW-radio kan lagras på sändaren med tre direkta favoritknappar
- LED-display för visning av radiostationen och övrig information som t.ex. val av källa
- Fjärrkontroll för styrning av huvudfunktioner
- Direkt Audio-Line-In (hörlurar passivt direkt till t.ex. smartphone/MP3 för mobil användning)
- Kan också användas som trådade hörlurar

## 7. Idrifttagning

### 7.1 Ansluta sändare

- Förbind nätaggregatet med ett korrekt installerat och lätt åtkomligt eluttag och sändarens DC-ingång (17).
- Förbind någon av de medföljande ljudkablarna (cinch eller en optisk kabel) med ljudingångarna [ANALOG] (14) eller [OPTICAL] (12) på sändarens baksida samt respektive ljudutgång på uppspelningsenheten (tv- eller ljudkälla).

- Ställ in ingångsväljaren [SELECT] (13) på den använda ingången (OPTICAL / ANALOG).
- Om du vill använda radiosignalerna (DAB+ eller UKW) för ytterligare en enhet (t.ex. en stereoanläggning eller en aktiv högtalare) kan du skicka vidare signalerna via DAB-OUTPUT genom cinch (16) eller den optiska kabeln (15) enligt beskrivningen i schemat (bild 4). Eventuellt behöver du en till anslutningskabel.

## 7.2 Lägga in batterier (hörlurar) (bild 5)

### Varning

- Var mycket noga med batteripolerna (+ och – märkning) och lägg in de uppladdningsbara batterierna enligt detta. Beaktas inte detta finns det risk att de uppladdningsbara batterierna läcker eller exploderar.
- Djupurladda inte uppladdningsbara/vanliga batterier.
- Förändra och/eller deformera inte uppladdningsbara/vanliga batterier och värm inte upp dem eller plocka isär dem.
- Kortslut inte uppladdningsbara/vanliga batterier och håll dem borta från blanka metallföremål.
- Batterier och laddningsstation är anpassade till varandra och får endast användas i den levererade kombinationen.

### Hänvisning – batterier

- Kontrollera att apparaten är avstängd när batteriet ska bytas.
- Ladda batteriet regelbundet vid längre tids lagring (minst en gång i kvartalet).
- Batterier kan laddas när som helst och måste inte vara helt urladdade innan de laddas igen.
- Innan första användningen måste de medföljande batterierna placeras i hörlurarna och laddas fullständigt (ca 7 tim.).
- Öppna locket på batterifacket. Håll fast baksidan av den högra hörmusslan (21) och vrid den högra örönkudden försiktigt motsols. (bild 5)
- Placera de medföljande två AAA-batterierna i batterifacket med polerna åt rätt håll. Stäng batterifacket ordentligt genom att sätta in och vrida örönkudden medsols, tills du känner att den hakar fast. (bild 5)

## 7.3 Ladda hörlurar

- Börja med att koppla in hörlurarna genom att hålla **POWER-knappen (19)** intryckt i ca 2 sekunder (bild 6). Nu lyser den röda lysdiodssignalen.
- Starta sändaren med hjälp av **POWER-knappen (11)** och vänta tills displayen växlar till (9) "Auxiliary Input".
- Häng upp hörlurarna med laddningskontaktarna (22) på sändarens laddningskontakter (1).
- Laddningen startar automatiskt och sändarens laddningslysdiod **CHARGE (2)** börja att lysa grönt så fort sändarens och hörlurarnas laddningskontakter har kopplats ihop. Nu växlar enheten automatiskt till standby-läget.
- Så snart laddningsförloppet är avslutat, slocknar den gröna laddningslysdioden (2).

## 8.0 Användning

### 8.1 Motta extern ljudkälla

#### Starta sändaren

- Starta uppspelningsenheten (tv- eller ljudkomponenter) som sändaren är ansluten till. Börja med att ställa in volymen på 30-40 % av maxvolymen för att förhindra hörselskador under installationen.
- Tryck och håll **POWER-knappen (11)** intryckt en sekund för att starta sändaren. Statuslysdioden **Power (11)** börjar att lysa blått. Statuslysdioden **INPUT (10)** börjar att blinka blått (indikering **Auxiliary Input**).
- Så fort det har mottagits en ljudsignal lyser statuslysdioden **INPUT (10)** konstant blått.
- Om det inte är möjligt att ta emot någon ljudsignal växlar sändaren efter ca 5 min automatiskt till standbyläget. Statuslysdioden **Power (11)** lyser rött.
- Senare kan man också använda **POWER-knappen (23)** på fjärrkontrollen. Tänk på att sändaren måste vara i standbyläget. Statuslysdioden **Power (11)** lyser rött.

#### Sätta på hörlurarna/mottagaren

##### Varning – volym

- När produkten används hör du inte ljud i omgivningen lika bra som annars. Kör därför inga fordon eller maskiner under användningen.
- Håll alltid volymen på en förnuftig nivå. Höga volymer – även under kort period – kan leda till hörselskador.
- Starta hörlurarna genom att hålla **POWER-knappen (19)** intryckt i två sekunder. **Statuslysdioden Power (bild 6)** lyser först rött och växlar därefter till grönt, så snart en signalförbindelse har upprättats mellan sändare och hörlurar. Om ingen ljudsignal upptäcks, lyser lysdioden rött.



##### Information om parkoppling/anpassning mellan sändare/mottagare

- Om lysdioden fortsätter att lysa rött måste man anpassa sändare och mottagare till varandra. För att göra detta ska du stänga av sändaren med **POWER-knappen (11)** och hörlurarna med **POWER-knappen (19)**. Det lyser ingen lysdiod på varken sändaren eller hörlurarna. Tryck nu på hörlurarnas **POWER-knapp (19)** tills **statuslysdioden** blinkar med grönt ljus (ca 5 sekunder). Inom 15 sekunder ska du sedan trycka på sändarens **POWER-knapp (11)**. Det hörs en ljudsignal när anpassningen (parkopplingen) är klar.
- När anpassningen är klar ska du kunna lyssna på uppspelningsenheten (t.ex. tv) via hörlurarna.
- Ställ in huvudbandet och ta på dig hörlurarna.
- Ställ in önskad volym med hjälp av **volymreglaget (18)** på hörlurarna.

##### Hänvisning

Bästa uppspelningskvalitet får man om man sänker hörlurvolymen **(18)** och ställer in uppspelningsenhetens volym (t.ex. tv) på cirka 70–80 %. Reglera sedan hörlurarnas **ljudnivå (18)** efter behov. Detta är särskilt viktigt vid val av analog ingång (t.ex. för tv:ns hörlursutgång).

- När hörlurar-batterierna har låg laddningsstatus blinkar hörlurarnas Power-lysdiod **(bild 6)** med rött ljus. Dessutom hör du fem minuter före den automatiska avstängningen en varningssignal: En ljudsignal per minut under de sista fyra minuterna och två signaler under den sista minuten. Sedan stängs hörlurarna av automatiskt.

##### Hänvisning

- Vid störningar eller dålig mottagning ställs hörlurarna in på ljudlöst och lysdioden lyser rött.
- Du kan också använda de här hörlurarna som traditionella, kabelförsedda hörlurar genom att förbinda uppspelningsenhetens hörlursutgång med hörlurarnas **(20)** 3,5 mm stereouttag **(20)** via en analog ljudkabel **förpackningsdetalj #31**. Observera även de tekniska specifikationerna för ljud-/hörlurs-utgångar i uppspelningsenhetens bruksanvisning eller konsultera en fackman vid oklarheter.
- Om du under användningen ställer hörlurarna på laddningskontaktarna **(1)** stängs hörlurarna av (statuslysdioden lyser rött) och sändaren växlar till standby-läget (statuslysdiods-POWER **(11)** lyser rött). På samma gång bryts radioförbindelsen och hörlurarna växlar till laddningsläget (CHARGE) och det lyser grönt.
- Så fort det registreras en ljudsignal igen (och du har tagit bort hörlurarna från laddningskontaktarna) slås sändaren automatiskt på igen och statuslysdioden Power **(11)** lyser blått eller det lyser grönt på hörlurarna med status-lysdioden Power **(bild 6)**.

### 8.2 Ta emot och spela upp DAB+-radio

##### Information – optimal mottagning

Den här produkten har en teleskopantenn **(bild 3)**, som möjliggör mottagning via DAB+ och UKW.

Tänk på att:

- Alltid dra ut antennen helt.
- Rikta antennen vertikalt för bättre mottagning.
- Signalstyrkan varierar ofta beroende på var radion finns. Placera radion nära ett fönster för att förbättra mottagningen.
- Tryck på **INPUT-knappen** på sändaren **(10)** tills du kommer till DAB-läget (eller **INPUT-knappen (24)** på fjärrkontrollen).
- Första gången du ställer in genomförs det en automatisk programsökning eller så kan du trycka på **INFO-knappen (6)** för att starta programsökningen **(skanning)**



- Tryck på och håll **TUNE+ (5)** eller **TUNE – (8)**, intryckt för att få se en lista över alla tillgängliga sändare.
- Tryck på **TUNE + (5)** eller **TUNE – (8)** för att välja ett program ur programlistan (alternativt på knappen **TUNE +** eller **TUNE - (24)** på fjärrkontrollen.
- Bekräfta valet genom att trycka på Info-knappen (6) eller vänta tills programmet har ställts in automatiskt.
- När du vill tilldela programknapparna **M1 till M3** för snabbval, ska du trycka och hålla en av favoritknapparna (4) intryckt på det aktuella program som du vill koppla.
- Tryck på **M Set**-knappen (7) för att få se hela favoritlistan eller spara. Välj program som du hade tänkt spara och tryck på **M SET**-knappen (7). Med hjälp av **TUNE +/-** -knapparna ska du söka efter en ledig lagringsplats "**Preset Store (Empty)**". Programmet sparas automatiskt på den här programplatsen.
- Tryck flera gånger på **INFO**-knappen (6) för att få mer DAB+-information (t.ex. programinformation, DAB+-frekvens, signalinformation, överföringskvalitet, tid, datum, programmets signalstyrka osv.).  
**Observera:** Med hjälp av visningen av signalstyrka för den svagaste DAB+-stationen kan man rikta in stavantennen eller sändningsstationen.

### 8.3 Ta emot och spela upp UKW-radio

- Tryck flera gånger på Input-knappen (10) tills du kommer till FM-läget (UKW-mottagning) (eller på fjärrkontrollens **INPUT**-knapp (24)).
- Tryck på och håll **TUNE + (5)** eller **TUNE- (8)**, intryckt för att få den automatiska programsökningen att upprätta en anslutning till närmsta station med stark mottagning. Du kan också ställa in valfri sändningsfrekvens genom att kort trycka på **TUNE + (5)** eller **TUNE - (8)**. Den här manövern kan du även utföra med fjärrkontrollen via **TUNE+/-**-knapparna (24).
- Spara nu sändningsfrekvensen så att du kan spara önskat program.
- När du vill tilldela programknapparna **M1 till M3** för snabbval, ska du trycka och hålla en av favoritknapparna (4) intryckt på det aktuella programmet som du vill koppla.
- Tryck på **M Set**-knappen (7) för att få se hela favoritlistan eller spara. Välj program som du hade tänkt spara och tryck på **M SET**-knappen (7). Sök efter en ledig lagringsplats med hjälp av **TUNE +/-** knapparna i "**Preset Store (Empty)**". Programmet sparas automatiskt på den här programplatsen. På LCD-skärmen (9) högst upp till vänster ser du sedan programplatsnumret (t.ex. P4).
- Tryck flera gånger på **INFO**-knappen (6) för att få extra RDS-information om programmet (t.ex. programinformation, frekvens, STEREO/MONO, tid, datum osv.).

### 8.4 Allmänna inställningar och systeminställningar

- Tryck och håll sändarens **POWER**-knapp (11) intryckt en sekund för att starta sändaren.
- Tryck flera gånger på **INPUT**-knappen (10) tills du är i **AUX-IN**-läget.
- Tryck och håll **INFO**-knappen intryckt (6) i ca 2–3 sek tills "**System**" visas i LCD-menyn.

- Tryck på **TUNE + (5)** eller **TUNE - (8)** för att välja inställning. Tryck på **INFO**-knappen (6) för att bekräfta dina inmatningar. Du avslutar inmatningen/justeringarna med **INPUT**-knappen (10).
- Du kan använda dig av de nedanstående menypunkterna:

#### Time (Datum- och tidsinställningar)

- Tryck på info-knappen (6) för att bekräfta valet.
- Ställ i tur och ordning in de nedanstående uppgifterna:  
Set Time/Date (tid/ datum)  
Auto Update (automatisk uppdatering)  
Set 12/24 hour (12/24-timmarsformat)  
Set date format (format för datumvisningen)

#### Factory-Reset (fabriksåterställning)

- Välj menypunkten Factory Reset
- Tryck på **INFO**-knappen (6) för att bekräfta valet.
- Tryck på **Tune +(5)** eller **Tune – (8)** för att välja mellan YES (Ja) och NO (Nej).
- Tryck på **INFO**-knappen (6) för att bekräfta valet.

#### Software Upgrade

Programuppdateringen gäller endast auktoriserade fackhandlare

#### SW Version (Visar programversionen)

- Välj menypunkten SW-version.
- Tryck på **INFO**-knappen (6) för att bekräfta valet.
- Den aktuella programversionen visas.

## 8.5 Felsökning

### 8.5.1 Inget ljud

- Se till att nätadaptern är korrekt ansluten till vägguttaget och sändarens eluttag.
- Kontrollera att hörlurarna är påslagna.
- Hörlurarnas laddningsstatus är möjligtvis för låg, ladda då batterierna fullständigt.
- Se till att den önskade tv-apparaten eller ljudenheten är påslagen och spelar upp.
- Möjligtvis är volymen på hörlurarna för svagt inställd.
- Ljudsignalen är eventuellt för låg. Höj volymen på din uppspelningsenhet.
- Kontrollera att sändare och mottagare (hörlurar) är anpassade till varandra (parkoppling), se punkt 8.1

### 8.5.2 Övriga ljudstörningar (glapp eller brus)

- Kontrollera att hörlurarnas volym är lämpligt inställd.
- Möjligtvis är hörlurarna för långt borta från sändaren.
- Ljudsignalen är eventuellt för låg. Höj volymen på uppspelningsenheten.
- Brusljud: Kontrollera att ljudsignalen inte är för låg (uppspelningsenhetens basbrus).

## 9. Service och skötsel

Rengör bara den här produkten med en luddfri, lätt fuktad duk och använd inga aggressiva rengöringsmedel.

## 10. Garantifriskrivning

Hama GmbH & Co. KG övertar ingen form av ansvar eller garanti för skador som beror på olämplig installation, montering och olämplig produktanvändning eller på att bruksanvisningen och/eller säkerhetshänvisningarna inte följs.

## 11. Service och support

Kontakta Hama produktträdgivning om du har frågor om produkten.

Hotline: +49 9091 502-115 (ty/eng)

Du hittar mer support-information här: [www.hama.com](http://www.hama.com)

## 12. Tekniska data

### Hörlurar/sändare

<b>Driftspänning</b>	Sändare 5 V, 550 mA, hörlurar: 2,4 V (2 x AAA NiMH)
<b>Distorsion</b>	< 1%
<b>Signal- stör-förhållande</b>	80 dB
<b>Räckvidd</b>	maximalt 30 meter i byggnader (beroende på väggarnas beskaffenhet)
<b>Frekvensområde</b>	20 Hz – 20 kHz
<b>Max. utstrålad sändareffekt</b>	6,82 dBm
<b>Frekvensintervall/ frekvensintervaller</b>	2406 – 2472 MHz

### Digital radio

<b>DAB-frekvens</b>	174–240 MHz
<b>Antal stationer</b>	10
<b>DLS</b>	Dynamic Label Service (programbaserad textinformation från radiostationen)
<b>Kompatibla DAB-format</b>	MP2/AAC

### UKW-radio (FM)

<b>Frekvens</b>	87,5 – 108 MHz
<b>Antal stationer</b>	10
<b>RDS</b>	Radio Data System (programbaserad extrainformation från radiostationen)

## 13. Kasseringshänvisningar

### Not om miljöskydd:



Efter implementeringen av EU direktiv 2012/19/EU och 2006/66/EU i den nationella lagstiftningen, gäller följande: Elektriska och elektroniska apparater samt batterier får inte kastas i

hushållssopterna. Konsumenter är skyldiga att återlämna elektriska och elektroniska apparater samt batterier vid slutet av dess livslängd till, för detta ändamål, offentliga uppsamlingsplatser. Detaljer för detta definieras via den nationella lagstiftningen i respektive land. Denna symbol på produkten, instruktionsmanualen eller på förpackningen indikerar att produkten innefattas av denna bestämmelse. Genom återvinning och återanvändning av material/ batterier bidrar du till att skydda miljön och din omgivning.

## 14. Försäkran om överensstämmelse



Härmed försäkras Hama GmbH & Co KG, att denna typ av radioutrustning [00131989] överensstämmer med direktiv 2014/53/EU. Den fullständiga texten till EU-försäkran om överensstämmelse finns på följande webbadress:

[www.hama.com](http://www.hama.com) ->00131989 ->Downloads

---

---



---

# THOMSON

Thomson is a trademark of Technicolor or its affiliates used under license to HAMA GmbH & Co KG in 86652 Monheim / Germany

[www.thomson-av-accessories.eu](http://www.thomson-av-accessories.eu)



WHP5407 / 00131989

[thomsonconsumer.com](http://thomsonconsumer.com)