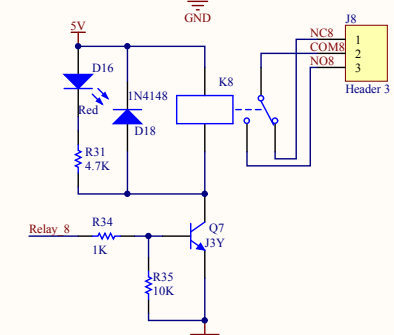
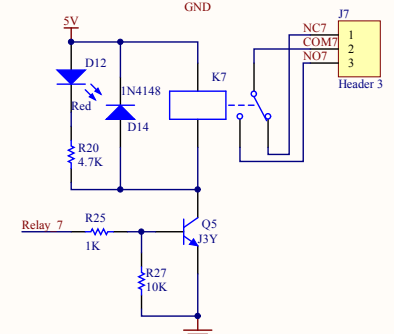
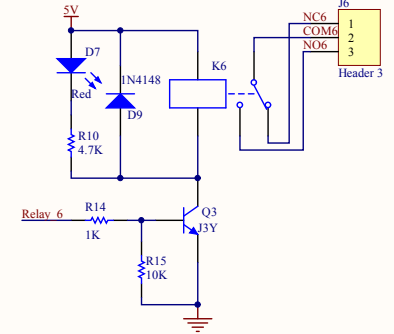
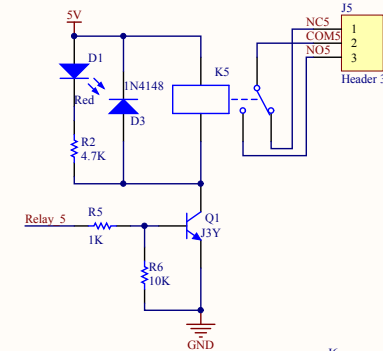
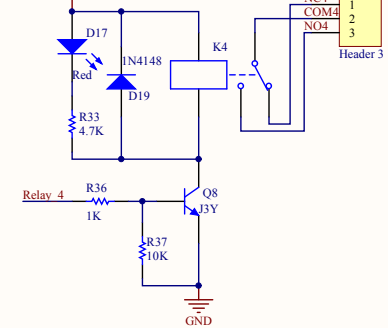
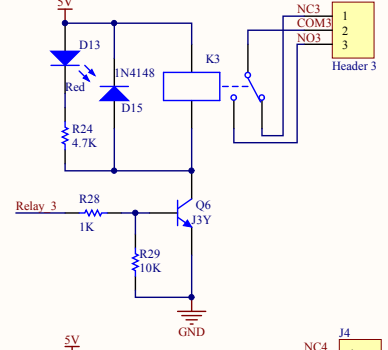
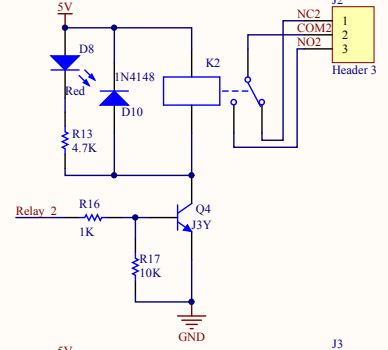
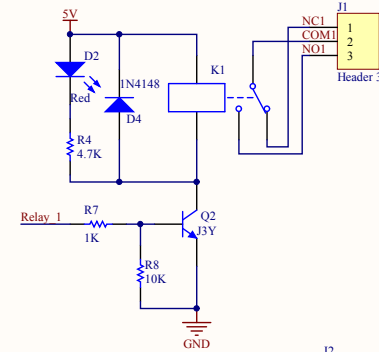
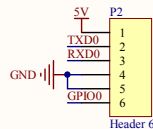
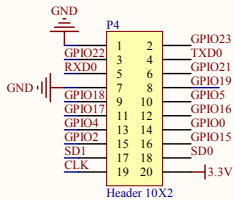


- GPIO32 Relay 1
- GPIO33 Relay 2
- GPIO25 Relay 3
- GPIO26 Relay 4
- GPIO27 Relay 5
- GPIO14 Relay 6
- GPIO12 Relay 7
- GPIO13 Relay 8



Title		
ESP32_Relay_X8(303E32DC810)		
Size	Number	Revision
A3		SX
Date:	2022/4/25	Sheet of
File:	E:\(7)\ESP32_Relay_X8(303E32DC810).SchDoc	1