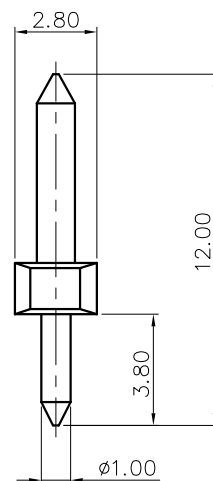
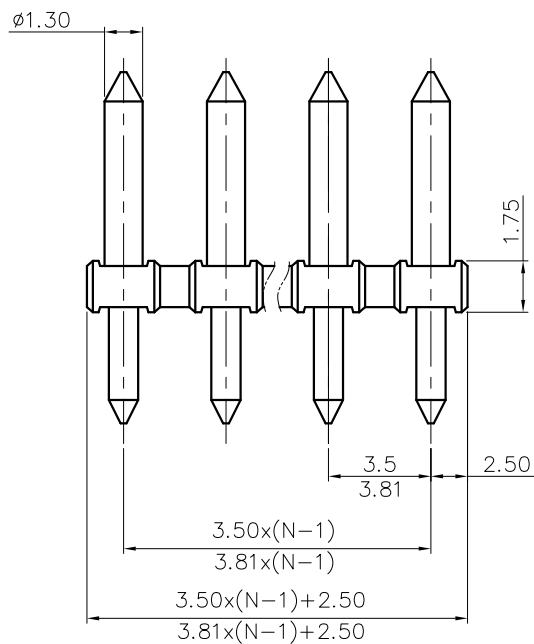


REVISION RECORD				
REV	ECN	DESCRIPTION	DRFT	DATE



NOTES1:

UL Standard

1.Rated voltage/current : 300V / 8A

IEC Standard

1.Rated voltage/current : 250V / 10A

NOTES2:

1.Dimension shall be interpreted per ASME Y14.5-2009

2.Pitch : 3.5/3.81mm, Poles : N=01~24P

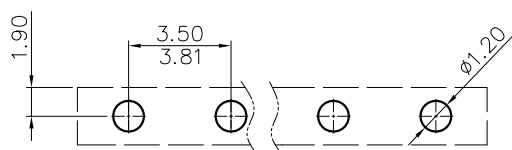
3.Withstanding voltage : AC2000V/1Min

4.Operating temperature : $-40^{\circ}\text{C} \sim +105^{\circ}\text{C}$

5.Undimensioned tolerances:

Pitch range in mm		Nominal dimension range in mm						□	○	□				
TO	Over	TO	Over	TO	Over	TO	Over	TO	Over					
6	6	10	10	30	30	60	60	100	100	150	150	0.1/10		
±0.15	±0.20	±0.30	±0.30	±0.50	±0.70	±1.00	±1.30	±2'						

6.RoHS Compliance



TOP VIEW-LAYOUT

DG333J - 3.5/3.81 - XXP - 1Y - 00A (H)
 (Series No.) (Pitch) (Poles) (Single Pitch) (Color):1.(Grey)
 2.(Blue)
 3.(Black)
 4.(Green)
 5.(Orange)
 6.(Red)
 7.(Transparent)
 8.(Yellow)
 9.(White)
 (RoHS)
 00A-(Standard)

DETACHED LISTS	PART NO.:	/			
	APPD:	/			
	CHKD:	/			
	DRFT:	/			
	NAME:	NINGBO DEGSON ELECTRICAL CO., LTD			
	TITLE:	CUSTOMER DRAWING	REV	D0	
	DRAWING NO.:	/	SHEET	1/1	
	THIRD ANGLE PROJECTION	MM (INCH)	DO NOT SCALE DRAWING	SCALE	1:1