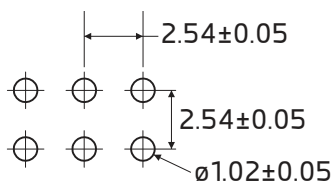
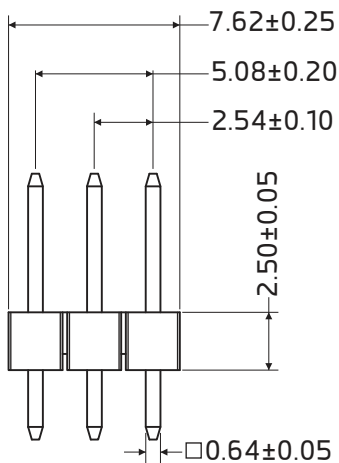
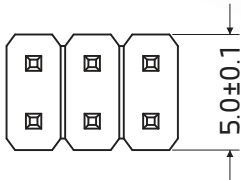
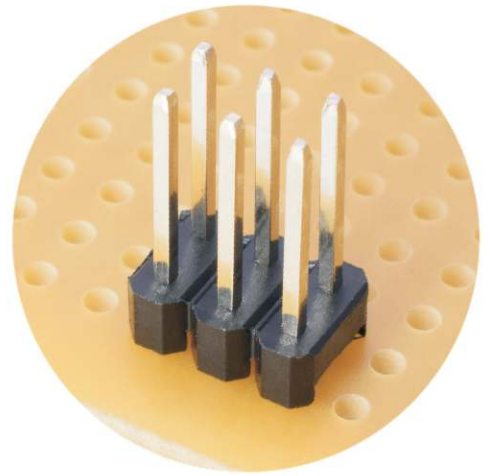


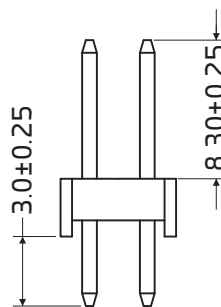
Datenblatt

Straight Pin Header, 2.54mm, Dual row, 2 x 3 pin

Straight Pin Header, Pitch: 2.54mm, Dual row, 2 x 3 Pin (6 way) 5pcs pack



Recommended Board Hole Layout



Specifications

Material:

Insulator material: Glass Fibre filled PBT

Contact material: Brass

Plating: Au/Ni 0.8µm Gold over 30µm Nickel

Electrical:

Current rating: 3 Amp/contact pin max.

Contact resistance: 20mΩ/contact pin max.

Insulation resistance: 100MΩ min. at 100V

Withstanding voltage: 500V/AC / minute

Mechanical:

Mechanical life cycle: 200cycles min.

Operating temperature: -40°C to 105°C

Soldering temperature: 260°C at 10sec. max.