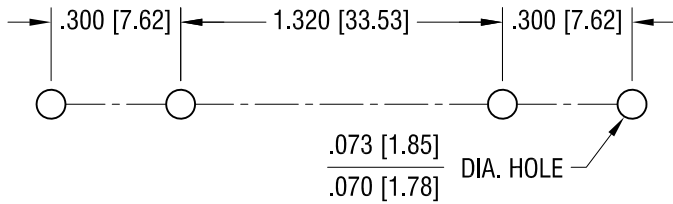
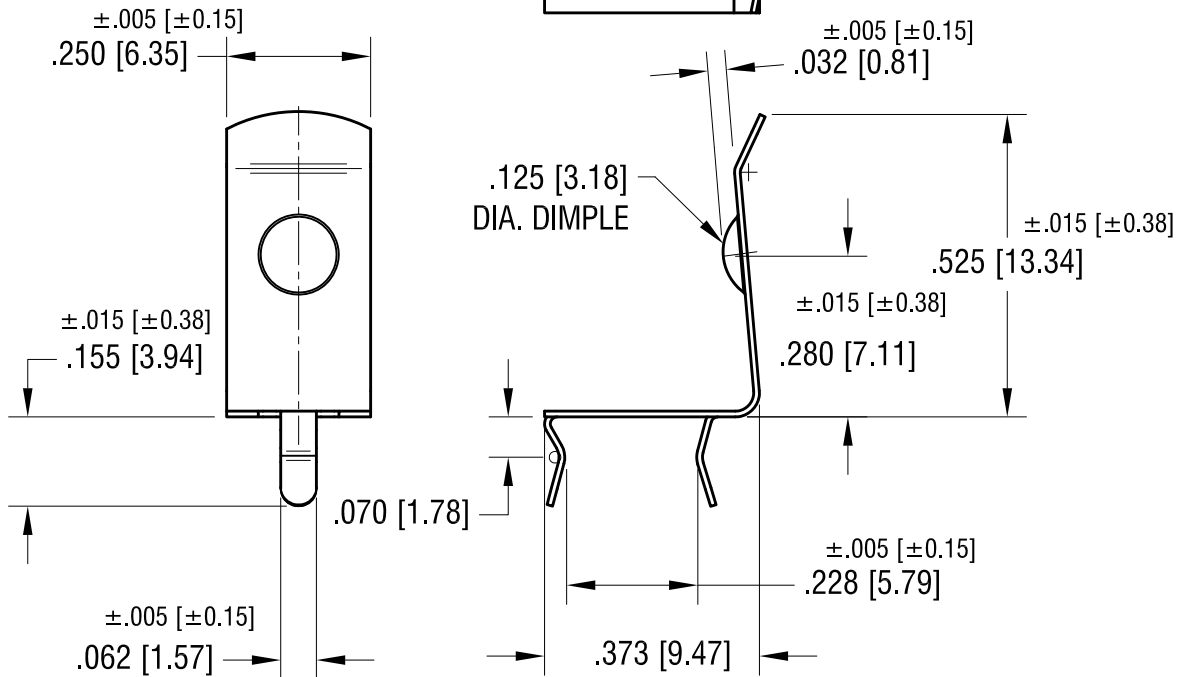
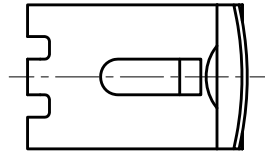


REQUIRED SPACING FOR 'AA' CLIP



THIS DOCUMENT IS THE PROPERTY OF  
KEYSTONE ELECTRONICS CORP. AND  
SHALL NOT BE REPRODUCED, DISTRIBUTED  
OR USED AS A BASIS FOR MANUFACTURE  
WITHOUT PRIOR WRITTEN PERMISSION  
FROM KEYSTONE ELECTRONICS CORP.

ACTUAL SIZE



**NOTE:**

- HEAT TREAT TO SPRING TEMPER.

**KEYSTONE ELECTRONICS CORP.**

www.keyelco.com • ASTORIA, N.Y. 11105-2017 • Tel (718) 956-8900

PART NAME

'AA' & 'A' PC BATTERY CONTACT

MATERIAL

.010 [.25] TH'K ANNEALED SPRING STEEL

FINISH

TIN NICKEL PLATE

DRN BY

BOONE

DATE

2.22.99

APP'D

LN

SCALE

3X

TOLERANCES

INCH [MM]

DECIMAL ±.010 [±0.25]

ANGULAR ± 2°

UNLESS OTHERWISE SPECIFIED

CODE

C

DWG NO.

52

| DATE     | DESCRIPTION              | REV. |
|----------|--------------------------|------|
| 10.06.16 | CHANGE AS PER ECR 16-064 | G    |
| 7.16.14  | CHANGE AS PER ECN14-067  | F    |
| 6.28.13  | CHANGE AS PER ECN13-052  | E    |
| 6.19.06  | CHANGE AS PER ECN 06-037 | D    |