

Data Sheet

Model No.: 3528Ux-66-12VW-F/m

Features:

- ◆ Wide viewing separable flexible strip to be bent into any shape
- ◆ double side self-adhesive 3M tape for easy installation
- ◆ High brightness, long life-span
- ◆ Available in various colors

Applications:

- ◆ Backlight of channel letters
- ◆ Edge-lighting of transparent or diffused materials
- ◆ Lighting source for shop windows
- ◆ Light source of decoration for furniture

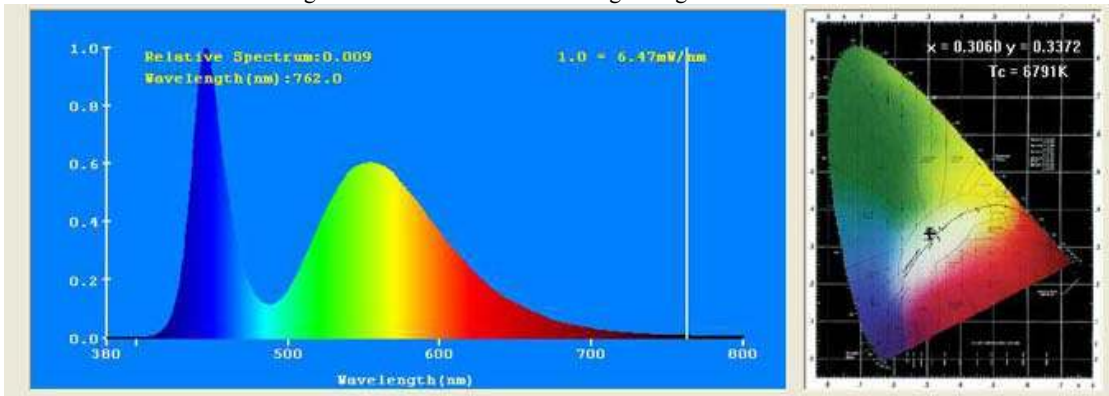


Technical Operating Data (1 meter)

Model No.	Color	Wavelength (nm) Color Temp (K)	Number of LEDs	Voltage (V DC)	Power (W)	Current (A)	Radiance Angle (°)	Lum. Flux (lm)	Operation Temperature
3528UR-66-12VW-F/m	Red	623±5	66	12±0.5	5.28W	0.44	120	132	-40~ +60°C
3528UY-66-12VW-F/m	Yellow	585±5	66	12±0.5	5.28W	0.44	120	132	-40~ +60°C
3528UG-66-12VW-F/m	Green	520±5	66	12±0.5	5.28W	0.44	120	396	-40~ +60°C
3528UB-66-12VW-F/m	Blue	465±5	66	12±0.5	5.28W	0.44	120	66	-40~ +60°C
3528UWC-66-12VW-F/m	Cool White	5500±200	66	12±0.5	5.28W	0.44	120	528	-40~ +60°C
3528UWN-66-12VW-F/m	Neutral White	4200±200	66	12±0.5	5.28W	0.44	120	528	-40~ +60°C
3528UWY-66-12VW-F/m	Warm White	3300±200	66	12±0.5	5.28W	0.44	120	462	-40~ +60°C
3528UWY-66-12VW-F/m	Warm White	2800±200	66	12±0.5	5.28W	0.44	120	462	-40~ +60°C

Notes:

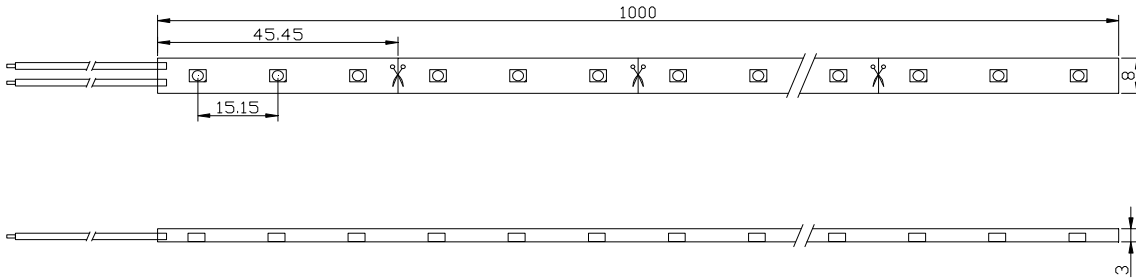
1. Specifications are subject to change without notice.
2. Due to the special conditions of the manufacturing process of LED, the typical data of technical parameters can only reflect statistical figures and do not necessarily correspond to the actual parameters of each single product which could differ from the typical data
3. The life span will be decreased when the maximum operation temperature exceed
4. LED devices would be damaged when the maximum working voltage overload



Technical Features:

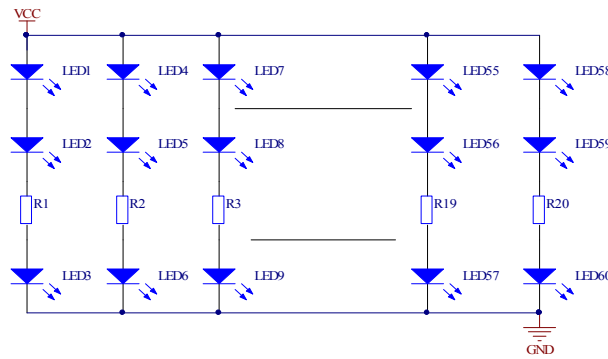
- ◆ Very low energy consumption
- ◆ No UV radiation in the light beam
- ◆ Top Viewing
- ◆ 5 meters in one roll which consists of 330 LED's
- ◆ Total dimension: L5000 mm x W8mm x H3mm
- ◆ Can be cut out every 3 LED's at 45.5 mm without damaging the rest of the strip
- ◆ Unique circuit design with strong resistance against static electricity

Drawing:

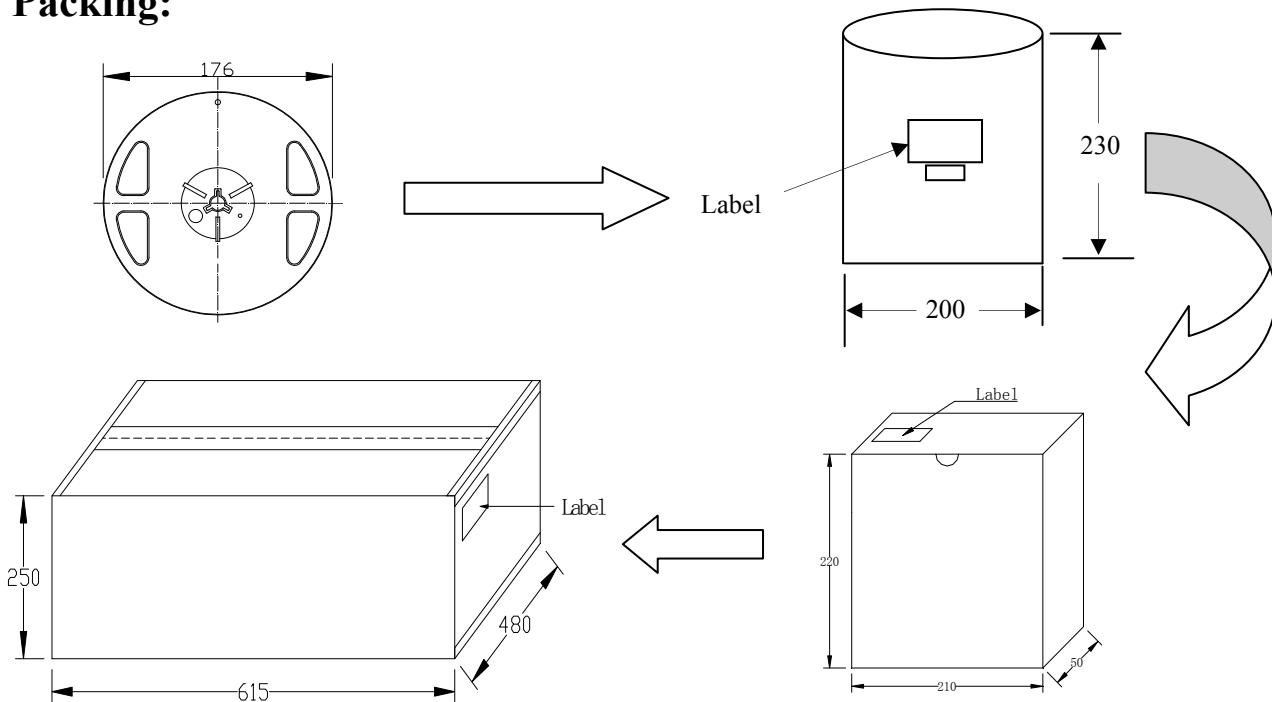


Notes: 1. All dimensions are in millimeter. 2. Tolerance ± 1 mm.

Schematic Diagram:



Packing:



Remarks: 1. All dimensions are in millimeter.

2. 5 meters/reel, 1 reel/antistatic bag, 4 antistatic bags/box, 20 box/export carton

3. Net Weight: 18KGs per carton, Gross Weight: 20KGs per carton

Assembly Suggestion :

1. Connection with soldering wires on unmouted strip: Do not pretin the soldering pads but pretin the wires wires and solder for max 4s at 300°C. Allow soldering pads to completely cool down before the next soldering.
2. The smallest unit (3LED/45.5mm) can be cut between the designated soldering pads.
3. There is 3M double side adhesive tape on the backside for easy installation. Care must be taken to provide a clean and dry surface. The mounting substrate must have sufficient structural integrity. Take care to completely remove the protective backing. Once the strip is appropriately positioned, press on the strip to fasten it.
4. The minimum bending radius is 2cm. The strip may be bent over a smaller radius but only in regions of the circuit board containing no electronic components and such bends should be made once and fixed in position to avoid cyclic fatigue.

Precaution:

1. Please use this product with 12V DC. The LED strip does not have protection against short circuit, overload or overheating. Therefore it is absolutely necessary to operate the strips with an electronically stable power supply offering protection against the above mentioned safety risks.
2. Installation of LED strips (with power supplies) should be made with regard to all applicable electrical and safety standards. Only qualified personnel should be allowed to perform installations.
3. Pay attention to standard ESD precautions when installing the strips.
4. Assembly must not damage or destroy conducting paths on the circuit board.
5. The max length per loop should not exceed 7 meters, otherwise, due to voltage drop, there will be color and brightness difference between the LED's near to power supply and the ones are far away from power supply.
6. The wire with gray line is anode, while the red, green, blue, yellow, white is cathode. Wrong polarity will lead to no light emission only; the strip will not be destroyed. What only needs to is to correct polarity;
7. When installing the strips in the plastic letters or characters, please try to use 3 or 4 branch wires and when doing the connection try to make the strips in a letter or character from a loop circuit or several loop circuits by using red and black wire to connect the strips at the end of the strokes together according to their polarities.
8. When mounting on metallic or otherwise conductive surfaces, there needs to be an electrical isolation at soldering points between strip and the mounting surface.
9. No push, squeeze or press on the components of the strip for fear damaging the electrical components