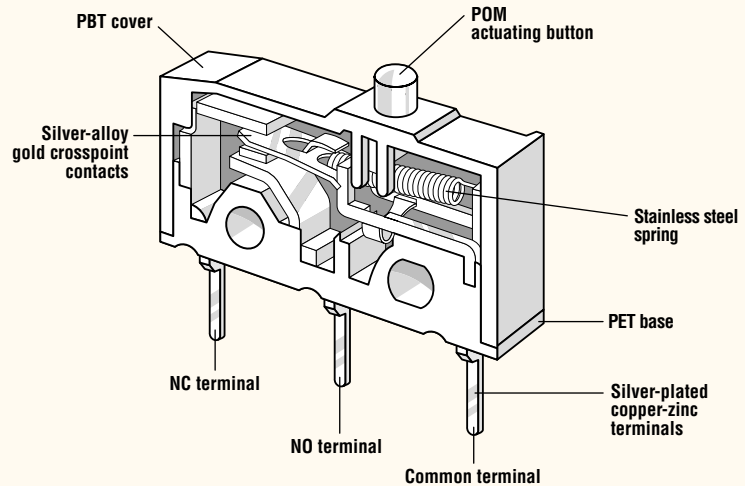


SUBMINIATURE DB Series

Features

- High-precision switch with high repeat accuracy
- Models available for operating temperatures up to 120°C
- Rated for currents up to 10 amp at 250VAC
- Range of auxiliary actuators available (can also be retrofitted); two mounting positions
- Variety of contact materials available to suit your application
- Mechanical life: up to 15×10^6 operations
- Wide variety of terminal types available
- Numerous approvals



Electrical Ratings

Switch Series	EN61058 Rating	UL1054 Rating	Electrical Life at Rated Load	
			According to EN (Min. Operations)	According to UL (Min. Operations)
DB1	6A, 250V~	5A, 125/250VAC	10,000	6,000
DB2	10(1.5)A, 250V~	10.1A, 125/250VAC; 1/4HP, 125VAC	10,000	6,000
DB3	0.1A, 250V~	0.1A, 125/250VAC	50,000	6,000
DB5*	1A, 250V~	1A, 125/250VAC	50,000	6,000
DB6*	6A, 250V~	5A, 125/250VAC	50,000	6,000
DB7*	10(1.5)A, 400V~	10.1A, 125/250VAC; 1/4HP, 125VAC	50,000	6,000

*85°C vs. T85.

Specifications

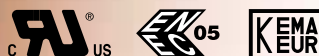
Electrical

Temperature Rating:	-40°C to +85°C / +120°C
Flammability Rating:	UL94V-O (PBT, PET) UL94HB (POM)

Materials

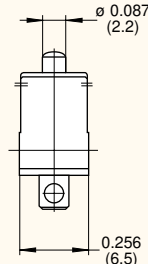
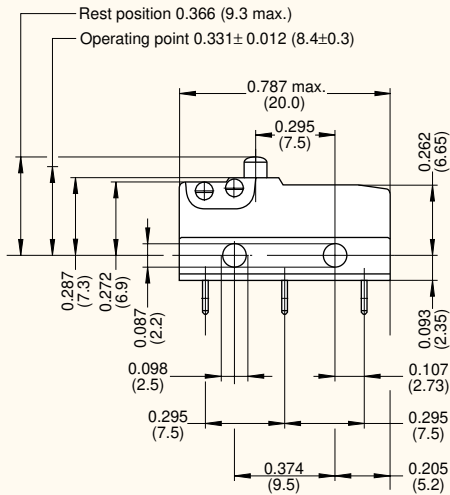
Base:	PET
Cover:	PBT
Actuator:	PBT, POM
Auxiliary Actuator:	Stainless Steel or Plastic
Terminals:	Silver-Plated Copper-Zinc
Contacts:	Silver Alloy Gold Crosspoint

PBT = Polybutyleneterephthalate • PET = Polyethyleneterephthalate • POM = Polyacetal

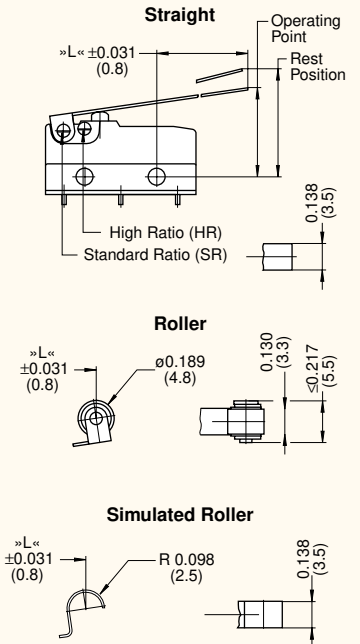




Dimensions inches (mm)

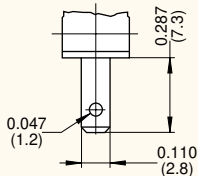


Auxiliary Actuator inches (mm)

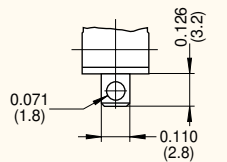


Terminal Options inches (mm)

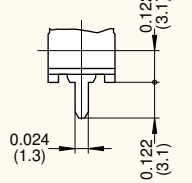
QC Terminals
0.110 x 0.020 (2.8 x 0.5)



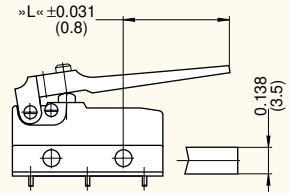
Solder Terminals – Short



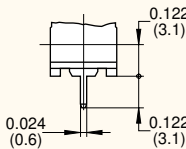
PCB Terminals – Straight
0.236 x 0.020 (1.3 x 0.5)



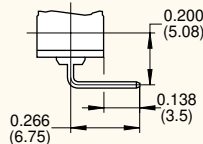
Straight – Plastic



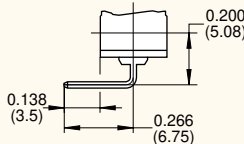
PCB Terminals – Straight
0.036 x 0.020 (0.6 x 0.5)



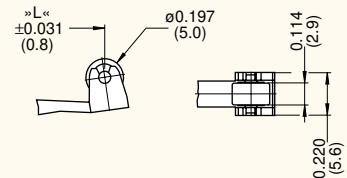
PCB Terminals RH Side w/o Location Pins
0.024 x 0.020 (0.6 x 0.5)



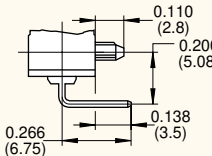
PCB Terminals LH Side w/o Location Pins
0.024 x 0.020 (0.6 x 0.5)



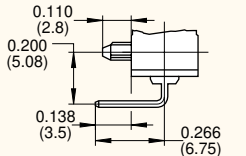
Roller – Plastic



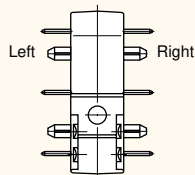
PCB Terminals RH Side with Location Pins
0.024 x 0.020 (0.6 x 0.5)



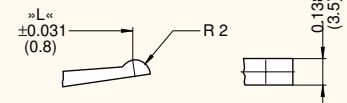
PCB Terminals LH Side with Location Pins
0.024 x 0.020 (0.6 x 0.5)



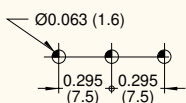
Top-down View of Lateral Terminals



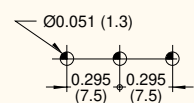
Simulated Roller – Plastic



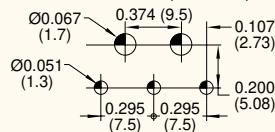
Drilling Patterns for PCB Terminals
0.051 x 0.020 (1.3 x 0.5)



Drilling Patterns for PCB Terminals (Straight/Lateral w/o Location Pins)
0.024 x 0.020 (0.6 x 0.5)



Drilling Patterns for PCB Terminals (Lateral with Location Pins)
0.024 x 0.020 (0.6 x 0.5)



Contact Ratings at Direct Voltage

Switching Voltage	Switched Current Resistive Load		Inductive Load L/R=3ms	
	DB1	DB2	DB1	DB2
12V	6A	10A	6A	10A
24V	3A	5A	2A	4A
60V	1A	1A	0.5A	0.5A
110V	0.5A	0.5A	0.2A	0.2A
220V	0.25A	0.25A	0.1A	0.1A

