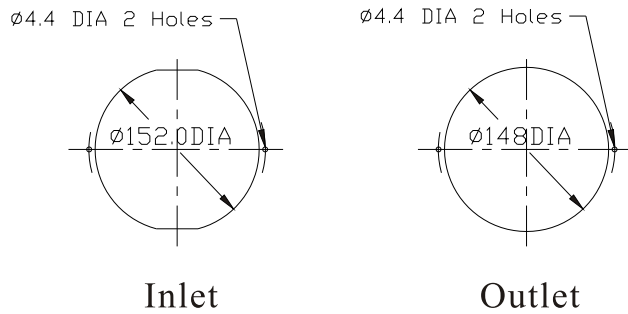


Size: 172mmx150mmx38mm  
 Airflow: 248~336m<sup>3</sup>/hr  
 146~198CFM  
 Weight: 760g  
 Noise: 55~61dBA  
 Impeller: PA6 UL94V-0 Reinforced Plastic  
 Frame: Aluminum Alloy  
 Terminals: 0.5mm  
 Lead Wire: AWG#22 UL 1015  
 (Optional)  
 Motor: Capacitor-Run Induction Motor  
 Safety: UL.CUL.TUV.CE  
 Operation Temperature: -10°C~+70°C



Unit:mm

Model	Bearing System	Voltage VAC	Freq. Hz	Current A	Power W	Speed RPM	Noise dBA	Air Flow		Static Pressure (mmH <sub>2</sub> O)	Weight Gram
								M <sup>3</sup> /hr	CFM		
RAH1738B1-C	Ball	220~240	50/60	0.16/0.17	36/35	2850/3400	57/61	282/336	166/198	16.7/19.5	760
RAM1738B1-C		220~240	50/60	0.11/0.12	28/29	2500/2800	55/58	248/280	146/165	12/12	
RAH1738B2-C		100~125	50/60	0.25/0.26	30/31	2850/3400	57/61	282/336	166/198	16.7/19.5	
RAM1738B2-C		100~125	50/60	0.17/0.18	28/29	2500/2800	55/58	248/280	146/165	12/12	

