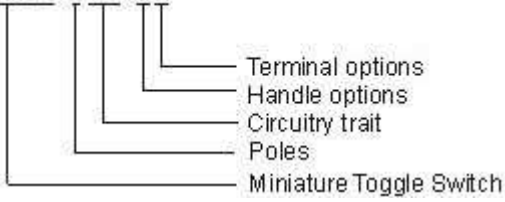




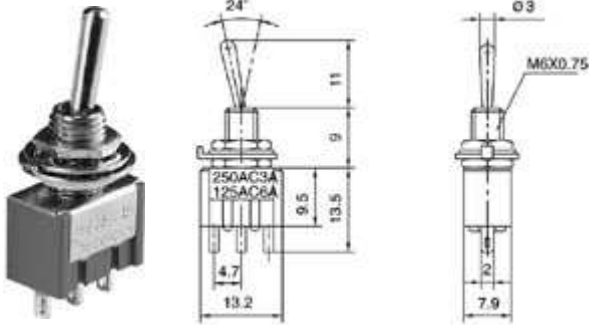
**Ordering Information:**

**MTS- 102-A1**

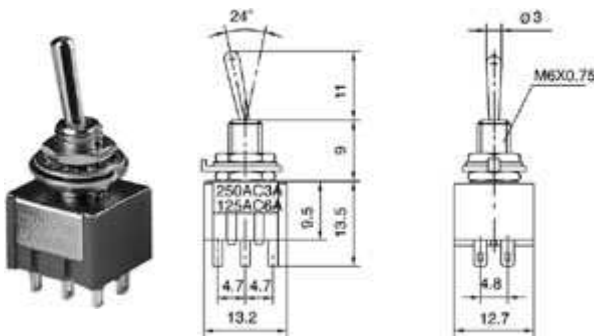


**Ordering Information:**

1. Rating: AC 125V 6A; AC 250V 3A
2. Contact R: 20m $\Omega$  Max
3. Insulation R: DC 500V 1000M $\Omega$  Min
4. Dielectric strength: AC 1500V, 1 Minute
5. Operating Temperature: -55°C~+85°C
6. Electrical Life: 20,000 Cycles



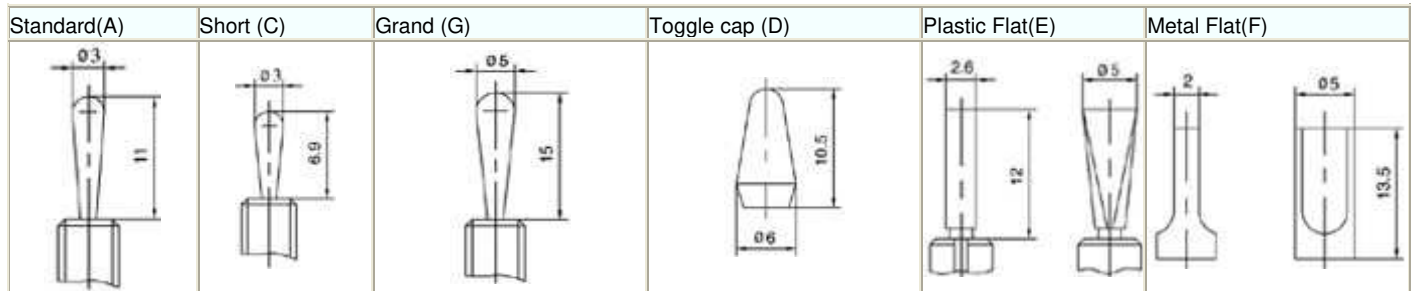
| Model No | Circuitry trait |     |      | Type | Terminals |
|----------|-----------------|-----|------|------|-----------|
|          |                 |     |      |      |           |
| MTS-101  | ON              | -   | OFF  | SPST | 2P        |
| MTS-102  | ON              | -   | ON   | SPDT | 3P        |
| MTS-112  | ON              | -   | (ON) | SPDT | 3P        |
| MTS-103  | ON              | OFF | ON   | SPDT | 3P        |
| MTS-113  | ON              | OFF | (ON) | SPDT | 3P        |
| MTS-123  | (ON)            | OFF | (ON) | SPDT | 3P        |



| Model No | Circuitry trait |     |      | Type | Terminals |
|----------|-----------------|-----|------|------|-----------|
|          |                 |     |      |      |           |
| MTS-201  | ON              | -   | OFF  | DPST | 4P        |
| MTS-202  | ON              | -   | ON   | DPDT | 6P        |
| MTS-212  | ON              | -   | (ON) | DPDT | 6P        |
| MTS-203  | ON              | OFF | ON   | DPDT | 6P        |
| MTS-213  | ON              | OFF | (ON) | DPDT | 6P        |
| MTS-223  | (ON)            | OFF | (ON) | DPDT | 6P        |

( ): Indicates Momentary

**Handle options**



**Terminal options**

