

LogiLink®

Multifunctional Thin Client Mount

Art. No.: BP0066



Designed to mount the computer under the desk to save more space in the working area.

Features:

- » Perfect for Intel NUC, the Mac mini, most small CPUs
- » Mount your CPU instead of leaving it on the floor to take up your foot space
- » Compatible with VESA 75 x 75mm, 100 x 100mm
- » Straps are included for increased stability and safety
- » 3 installation ways: Clamped to the pole; VESA plate; Under desktop



Width adjustable



With VESA plate



Can be fixed under desk



* The specifications and pictures are subject to change without notice.
* All trade names referenced are the registered trademark of their respective owners.



Made in China

LogiLink®

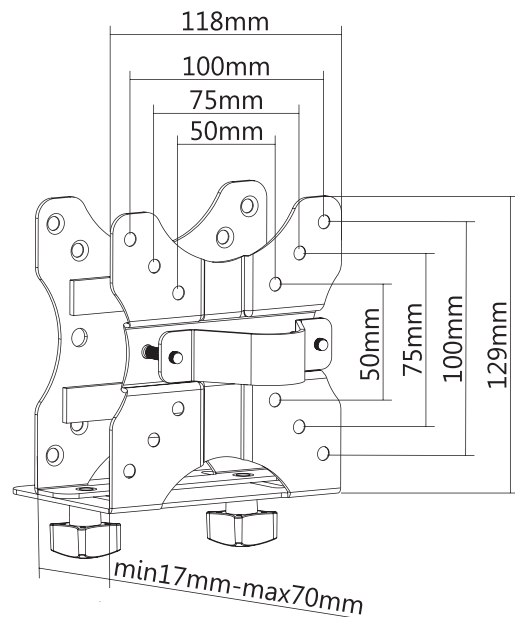
Multifunctional Thin Client Mount

Art. No.: BP0066



Specification:

Material	Metal
Width Adjustable	17 x 70mm
Installation	Under desktop
Rated Load	5kg



Package Contents:

- » 1 x Thin Client Mount
- » 1 x Screw Pack
- » 1 x User Manual

Package Informations:

- » Packing Dimension: mm
- » Packing Weight: kg
- » Carton Dimension: mm
- » Carton Q'ty: pcs
- » Carton Weight: kg



* The specifications and pictures are subject to change without notice.
* All trade names referenced are the registered trademark of their respective owners.



BP0066



Made in China