

R2E190-AO26-05

# AC centrifugal fan

backward curved, single inlet



**ebm-papst Mulfingen GmbH & Co. KG**

Bachmühle 2

74673 Mulfingen

Phone: +49 7938 81-0

Fax: +49 7938 81-110

www.ebmpapst.com

info1@de.ebmpapst.com

## Nominal data

Type	R2E190-AO26-05		
Motor	M2E068-BF		
Phase		1~	1~
Nominal voltage	[V]	230	230
Frequency	[Hz]	50	60
Type of data definition		rfa	rfa
Valid for approval / standard		CE	CE
Speed	[min <sup>-1</sup> ]	2500	2700
Power input	[W]	58	75
Current draw	[A]	0.26	0.34
Motor capacitor	[µF]	2	2
Capacitor voltage	[VDB]	400	400
Capacitor standard		P0 (CE)	P0 (CE)
Min. back pressure	[Pa]	0	0
Max. ambient temperature	[°C]	50	55
Air flow	[m <sup>3</sup> /h]	570	620
Back pressure	[Pa]	0	0
Sound pressure level	[dB(A)]	62	64

ml = max. load · me = max. efficiency · rfa = running at free air · cs = customer specs · cu = customer unit  
Subject to alterations

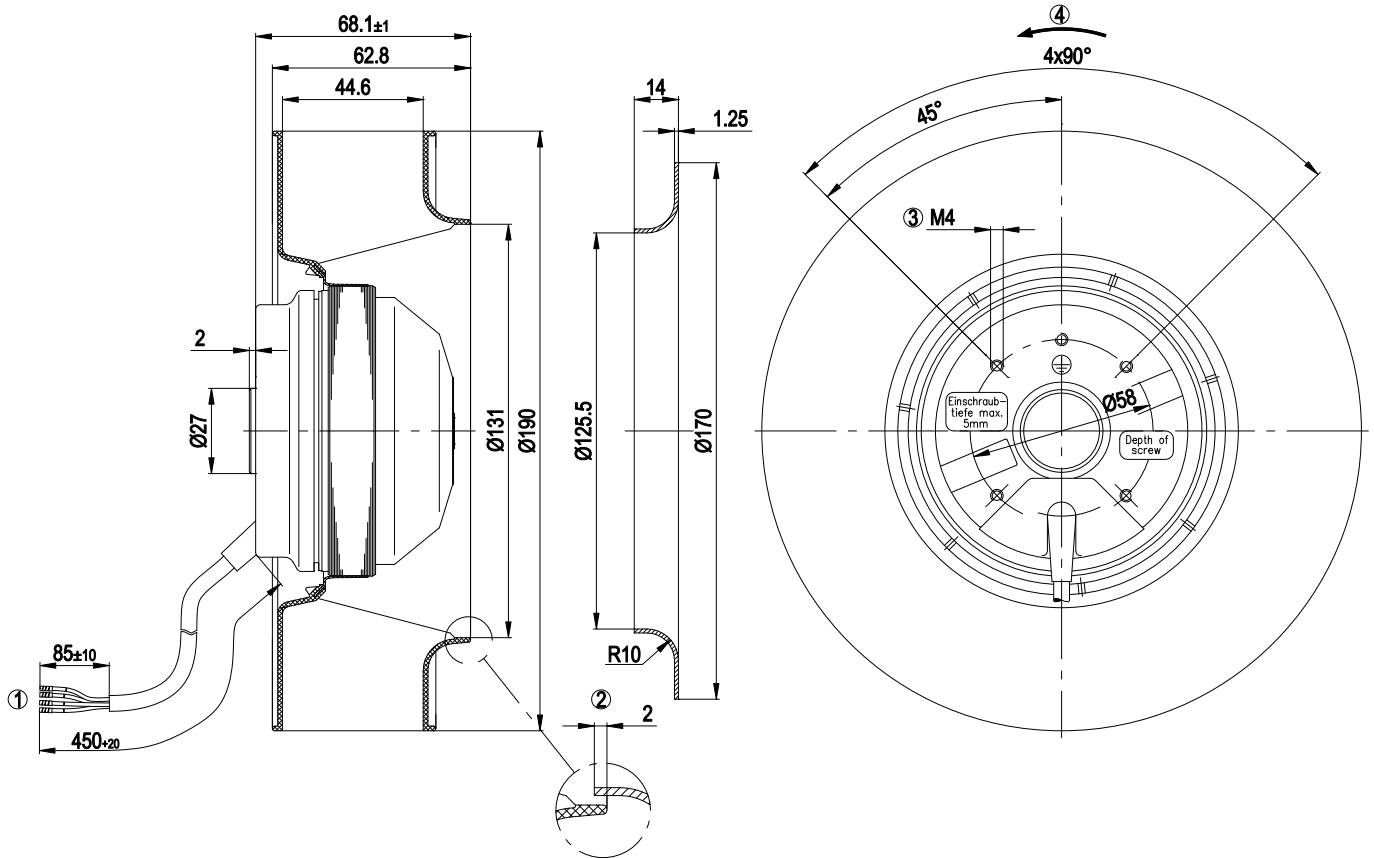
## Technical features

<b>Leakage current</b>	< 0,75 mA
<b>Size</b>	190 mm
<b>Operation mode</b>	S1
<b>Mounting position</b>	Shaft horizontal or rotor on bottom; rotor on top on request
<b>Direction of rotation</b>	Clockwise, seen on rotor
<b>Insulation class</b>	"B"
<b>Cable exit</b>	Variable
<b>Condensate discharge holes</b>	Rotor-side
<b>Bearing-motor</b>	Ball bearing
<b>Mass</b>	1.2 kg
<b>Material of impeller</b>	PA plastic 6, fiberglass-reinforced
<b>Motor protection</b>	Thermal overload protector (TOP) wired internally
<b>Product conforming to standard</b>	CE; EN 60335-1
<b>Surface of rotor</b>	Coated in black
<b>Number of blades</b>	7
<b>Type of protection</b>	IP 44
<b>Protection class</b>	I
<b>Approval</b>	CCC; GOST

# AC centrifugal fan

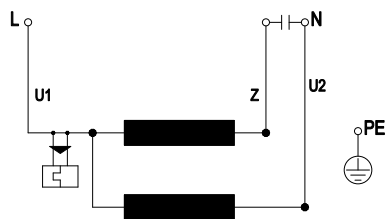
backward curved, single inlet

## Product drawing



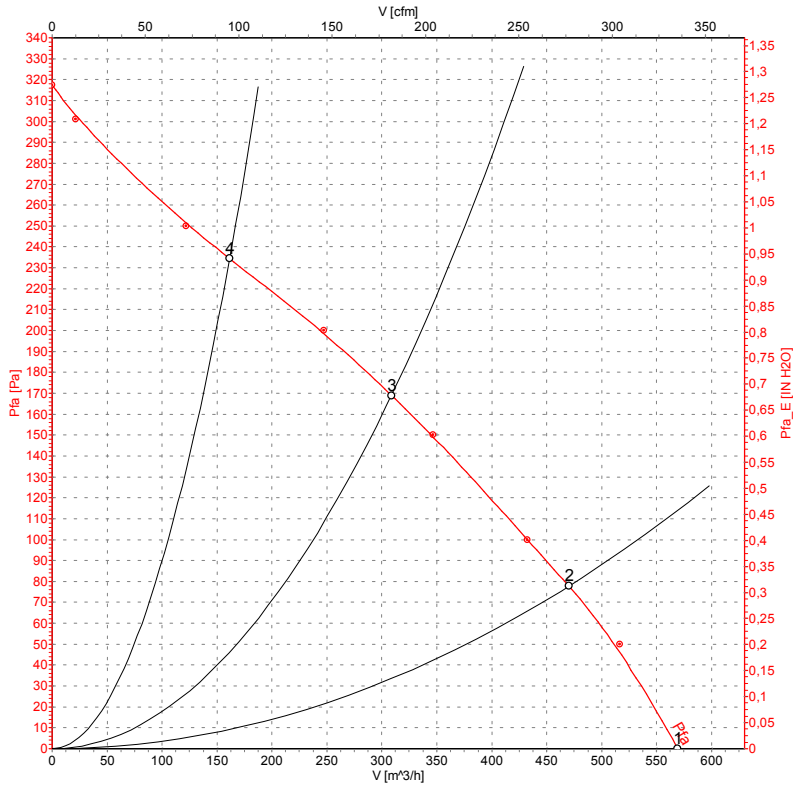
1	Connection line PVC, 4x brass lead tips crimped
2	Accessory part: Inlet nozzle 09576-2-4013, not included in the standard scope of delivery
3	Screw depth max. 5 mm
4	Direction of rotation clockwise, seen on rotor

## Connection screen



U1	blue	Z	brown	U2	black
PE	green/yellow				

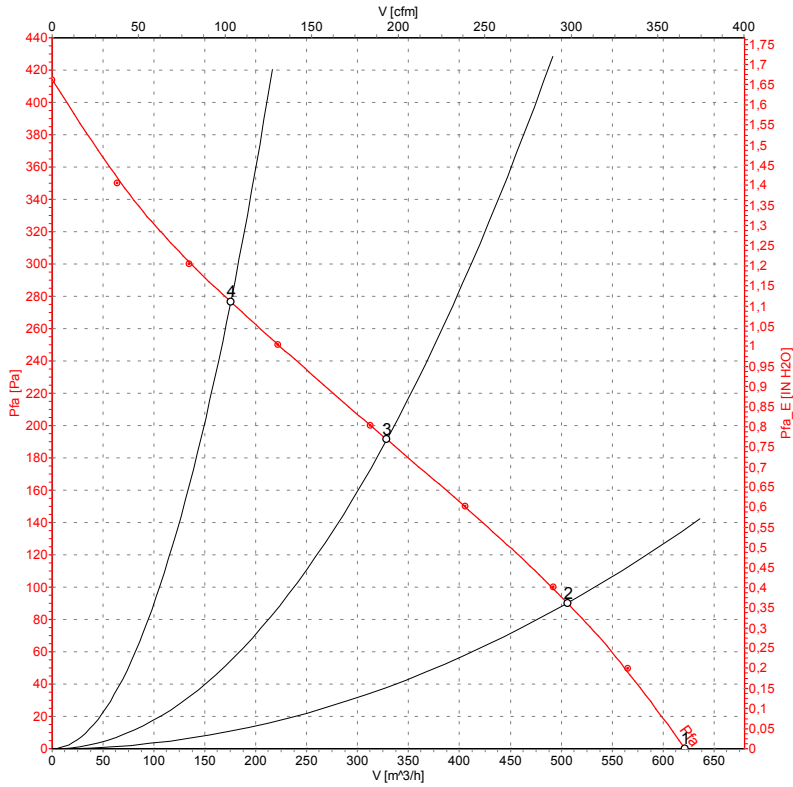
## Charts: Air flow 50 Hz



## Measured values

	U	f	n	P <sub>1</sub>	I	η <sub>TL</sub>	Ṃ	P <sub>fa</sub>
	[V]	[Hz]	[min <sup>-1</sup> ]	[W]	[A]	[%]	[m³/h]	[Pa]
1	230	50	2515	58	0.26	12	570	0
2	230	50	2470	60	0.26	43	470	78
3	230	50	2420	61	0.27	52	310	169
4	230	50	2505	58	0.25	39	160	234

## Charts: Air flow 60 Hz



## Measured values

	U	f	n	P <sub>1</sub>	I	η <sub>TL</sub>	Ṃ	P <sub>fa</sub>
	[V]	[Hz]	[min <sup>-1</sup> ]	[W]	[A]	[%]	[m <sup>3</sup> /h]	[Pa]
1	230	60	2750	75	0.34	12	620	0
2	230	60	2690	76	0.34	44	505	91
3	230	60	2570	79	0.35	52	330	191
4	230	60	2720	76	0.34	40	175	276