

**LED Holder for 5mm LEDs
10pcs pack**



Specification

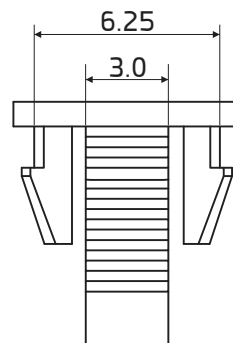
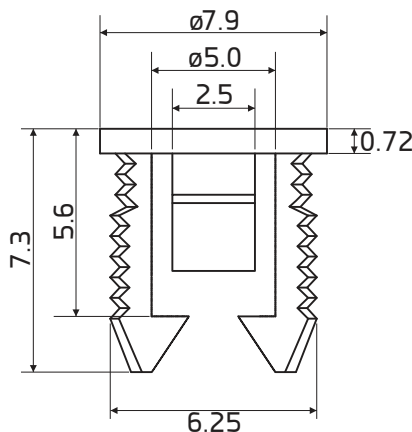
Material: Nylon 66

Flammability: 94V-2

Color: Black

Hole in chassis: ø6.4 ~ 6.5mm

Chassis thickness: 1.0 ~ 1.6mm



Dimension: mm±0.2