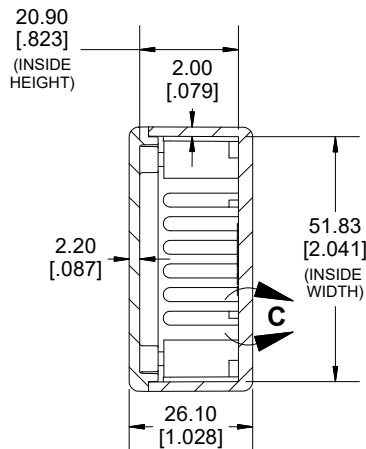
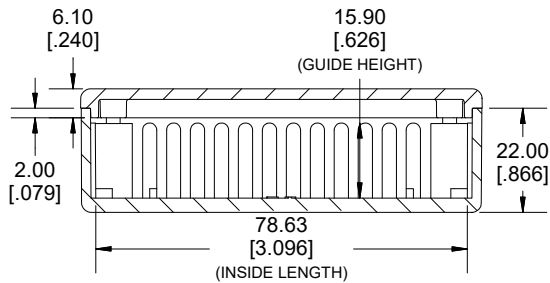
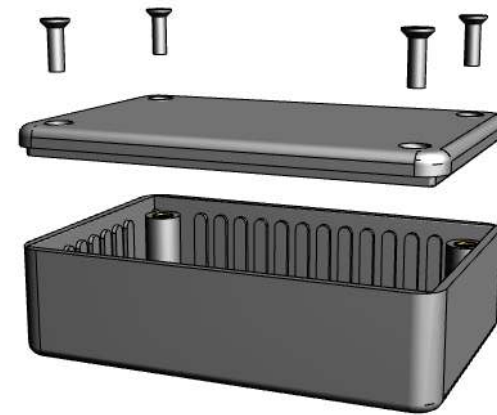


TOP VIEW

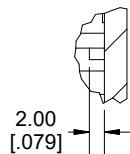


SECTION A-A

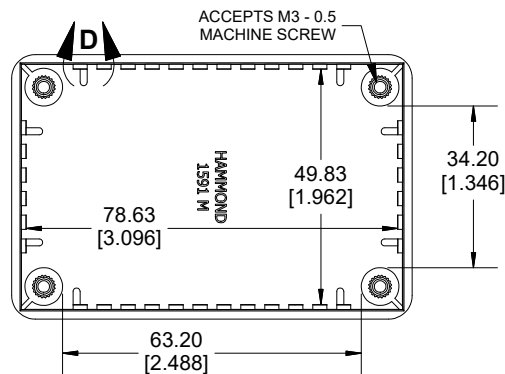
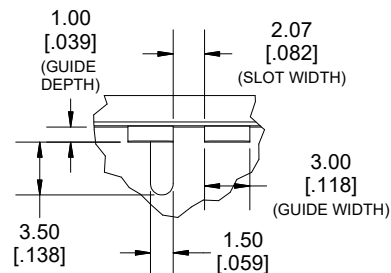


**SECTION B-B
SIDE VIEW**

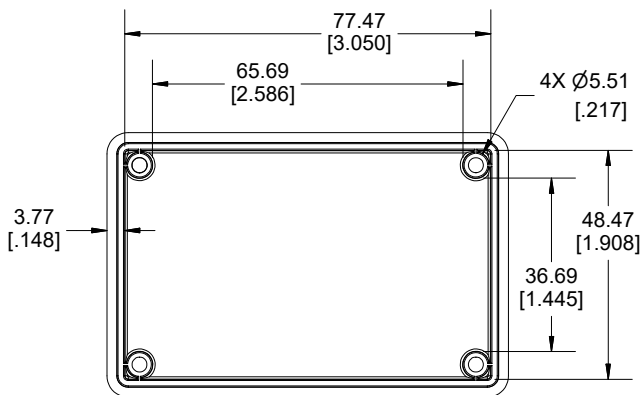
DETAIL C



DETAIL D



INSIDE BOX

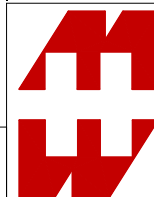


INSIDE LID

Enclosures can be Factory Modified (Milling, Drilling, Printing etc.)
 Contact Factory (modshop@hammfg.com) for quotes
 Solid models of this enclosure available in .stp or .x_t
 (Part number and text placement/orientation on our products are subject to change,
 we do not recommend using them as a locating reference for modification purposes)

NOTE	
Purchased assembly includes box, lid, 4 cover screws, and pre-installed brass inserts. Enclosure made from FRABS or Polycarbonate.	
Recommended Torque: 42-57 ozf.in (30-40 cN.m)	
PART NUMBERS	
1591M Enclosure	
Material	Colour Part Number
FR ABS UL94 -V0	Beige 1591MBG
	Black 1591MBK
	Blue 1591MBU
	Grey 1591MGY
Accessories	
Plated Cover screw	1591MS100 (Silver)
M3 - 0.5 X 10mm (100Pkg)	1591MS100BK (Black)
PC Board Card Adapters	1591Z6 (6Pkg)
	1591Z50 (50 Pkg)
	1591Z100 (100Pkg)
Nylon Belt / Pocket clip	1599CLIP (Black)
	1599CLIPGY (Grey)
Clear Lids - Flame Retardant Polycarbonate - Lid ONLY	1591MC

Dimensions:
mm
[inches]



**HAMMOND
MANUFACTURING.**
1591M

www.hammondmfg.com