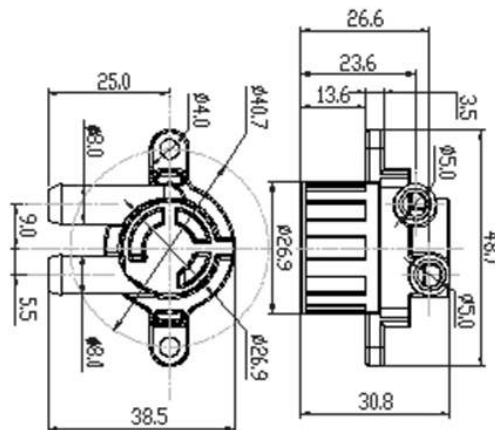


Miniatur-Wasserpumpe WP-2506



Product Parameter								
Working Voltage Range			DC: 4.5V-12V					
Rating Power			4.5V: 0.5-2W / 6V: 1-3W / 12V: 2-3W					
Static Water Head			0.4-1 M					
Static Flow Rate			0.6-1.3 L/min					
Lifespan			Continuous operation under normal working surrounding >20000Hr					
Working Environment			Liquid: From weak acid to weak base, workable both on land and in water (Submersible)					
Max Noise			Under normal working condition, 1M distance over the test instrument <35dB					
Max Working Temperature			Under normal surroundings, fluid medium temperature ≤70°C					
Application			Water circulation system, Desktop fountain, Aquarium, Foot spar tub, Small medical equipment					
Size			IP Grade	Inlet		Outlet		Remark
Length (mm)	Width (mm)	Height (mm)		OD (mm)	ID (mm)	OD (mm)	ID (mm)	
49	39	31	IP68	φ8	φ5	φ8	φ5	Inlet and outlet with footgrip

Characteristic Graph

