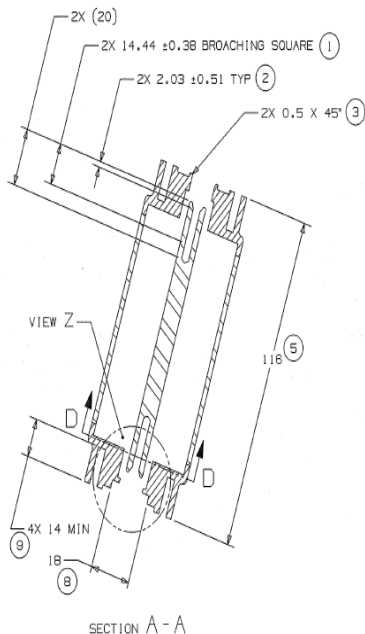


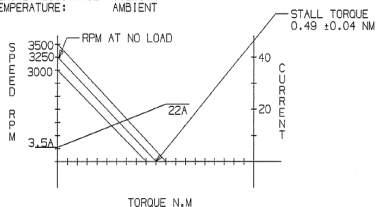
Gleichstrommotor 200696

Best.Nr. 310 474



NOTES & ELECTRICAL CHARACTERISTICS

- (30) 1. ALL MOTORS MUST CONFORM TO SPECIFICATION PER FNA: 65315-11899 REV B
- (31) 2. MOTORS MUST CONFORM TO THE FOLLOWING LOAD GRAPH
 VOLTAGE SUPPLY: 12.5V
 SERIAL RESISTANCE: 0.2 OHM
 TEMPERATURE: AMBIENT



- (32) 3. RELATIONSHIP BETWEEN STALL CURRENT AND OPERATING TEMPERATURE SHOULD CONFORM TO THE FOLLOWING FORMULA

$$I_s(t) = \frac{I_s}{1 + \left(\frac{4 \times R_t \times 10^9 \times D_t}{R_s + R_t} \right)}$$