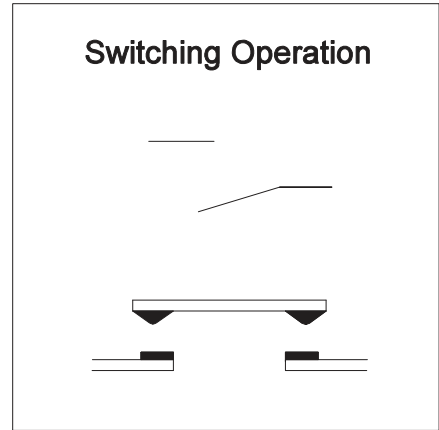
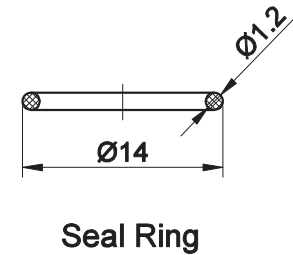
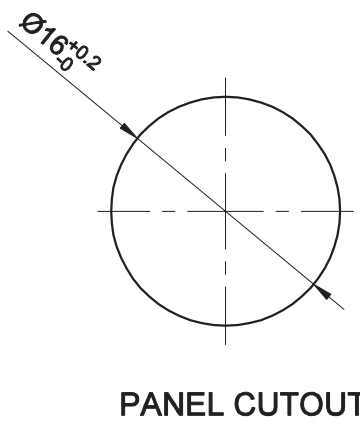
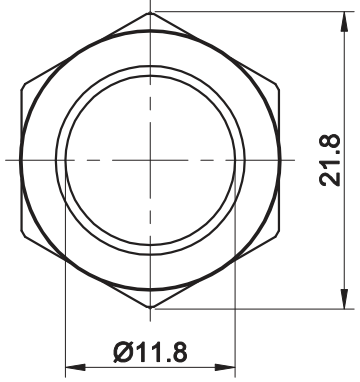
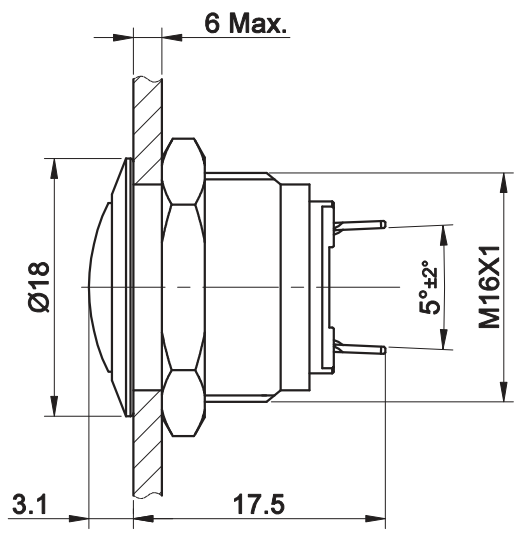


FOR 客户名称	APPROVED 客户确认签字	ATTN 销售负责人



SPECIFICATIONS:

- 1.Switch Rating: AC250V/0.5A.
- 2.Mechanical Life: ≥1,000,000cycles.
- 3.Electrical Life: ≥50,000cycles.
- 4.Contact Resistance: ≤50mΩ.
- 5.Insulation Resistance: ≥1,000MΩ.
- 6.Dielectric Strength: 1,500V, RMS 50Hz, 1min.
- 7.Operating Temperature: -25°C~ +55°C(No Freezing).
- 8.Operating Force: About 4N.
- 9.Operating Travel: About 2mm.
- 10.Torque: About 0.6Nm max.applied to nut.
- 11.Protection degree: IP65;IK08.
- 12.Terminal Type: Pin Terminal(2 x 0.5mm).

MATERIALS:

- 1.Contact: Silver alloy.
- 2.Button: ◎.
- 3.Body: ◎.
- 4.Base: PA.

Part Number: GQ16B-10/J/◎

"◎"	Crust material
S	Stainless steel
A	Al alloy(black)
N	Nickel Plated Brass

BRAND 品牌 ONPOW	红波按钮制造有限公司 ONPOW PUSH BUTTON MANUFACTURE CO.,LTD.			
	THESE DRAWINGS AND SPECIFICATIONS ARE THE PROPERTY OF ONPOW PUSH BUTTON MANUFACTURE CO.,LTD. AND SHALL NOT BE REPRODUCED COPIED OR USED IN ANY MANNER WITHOUT THE PRIOR WRITTEN CONSENT OF ONPOW PUSH BUTTON MANUFACTURE CO.,LTD.	USED 用途 FINISH 处理 SCALE 比例 1.8 / 1 单位 mm	APPD 审核 CH 2020/04/13 CHKD 校对 NCH 2020/04/13 DR. 制图 ZPD 2020/04/13	
DIMENSIONS 0.00 TO 18.00mm 18.01 TO 30.00mm 30.01 TO 50.00mm 50.01 TO 80.00mm	TOLERANCE ±0.43mm ±0.52mm ±0.62mm ±0.74mm	TITLE 名称 GQ Series Anti-vandal push button DWG NO. 图号 GQ16B-10J FILE NAME 档案名称 GQ16-10J.DWG	SHEET 张 1 / 1 REV. 更改 1	SIZE 图纸 A4