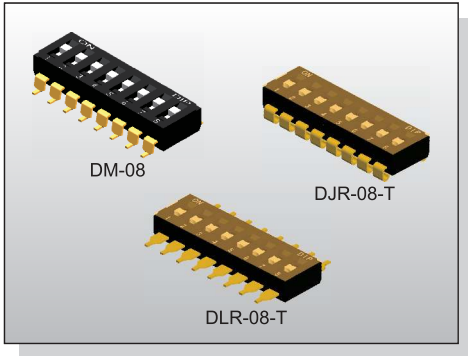


DIP SWITCH DM, DJ, DL SERIES

Surface Mount
IC Type



DIP SWITCH



FEATURES

- ✘ Low profile for space saving
- ✘ Gold contact for high reliability
- ✘ UL 94V-0 grade fire retardant

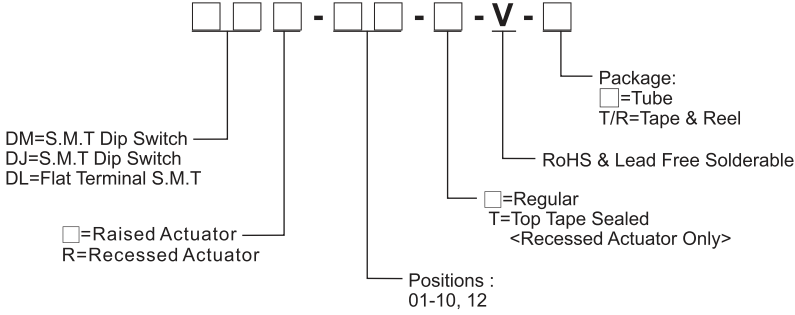
APPLICATION

- ✘ Industrial control
- ✘ Automatic machines control
- ✘ Telecommunication

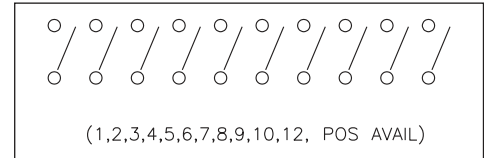
SPECIFICATION

| | |
|-----------------------|---|
| Contact Rating | 25mA, 24V DC |
| Contact Resistance | (a)50mΩ max. Initial (b)100mΩ max. After life test |
| Insulation Resistance | 100MΩ min. 500V DC |
| Dielectric Strength | 500V AC/1 minute |
| Operating Force | 1,000gf max. |
| Travel | 1mm |
| Operating Life | 2,000 cycles |
| Operating Temp. | -20°C ~ +85°C |
| Storage Temp. | -40°C ~ +85°C |

HOW TO ORDER



CIRCUIT



PACKAGE

<Tube>

DM(R), DJ(R):

| | | | |
|------------|-----------|-----------|-----------|
| 01:130 pcs | 02:76 pcs | 03:55 pcs | 04:42 pcs |
| 05:35 pcs | 06:28 pcs | 07:25 pcs | 08:22 pcs |
| 09:20 pcs | 10:18 pcs | 12:15 pcs | |

<Tape & Reel>

DM(R)-01-T-T/R: 800 pcs

DMR-02-T-T/R~DMR-12-T-T/R: 900 pcs

DM-(01)(05)(07)(10)-T/R: 800 pcs

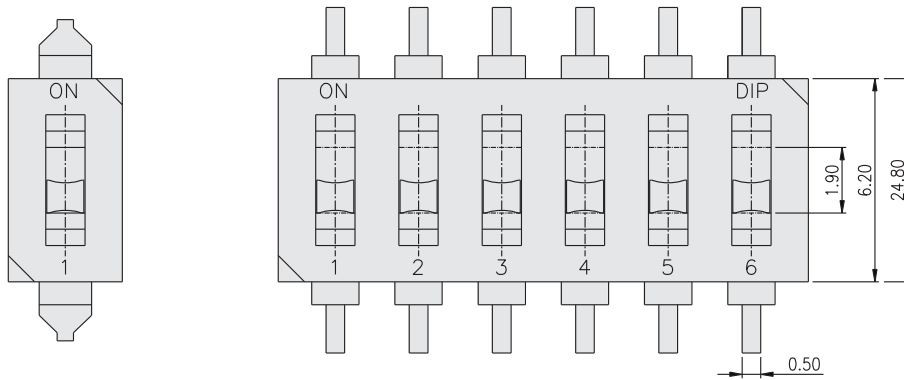
DM-(02)(03)(04)(06)(08)(09)(12)-T/R: 700 pcs

DJR-(02)(03)(04)(08)(09)(10)-T-T/R: 1000 pcs

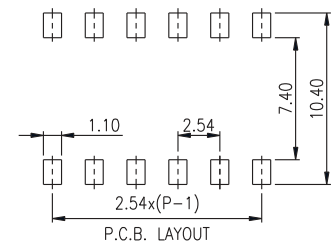
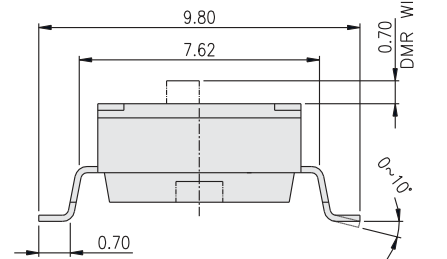
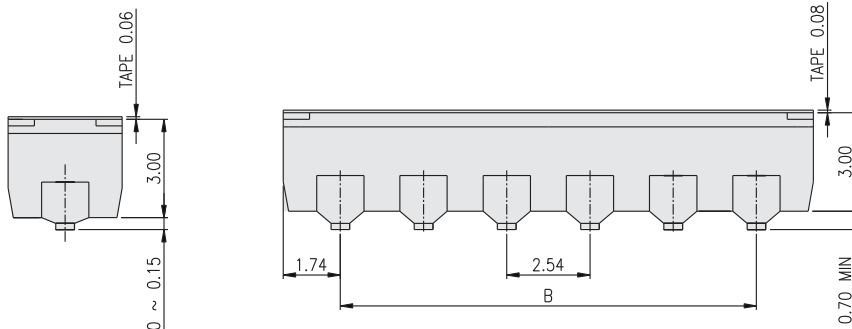
<Bag>

DL(R): 1000 pcs

DM(R)



| | | | |
|-----------|------------|-------|-------|
| DM(R)-01 | 1 | 3.48 | |
| DM(R)-02 | 2 | 6.02 | 2.54 |
| DM(R)-03 | 3 | 8.56 | 5.08 |
| DM(R)-04 | 4 | 11.10 | 7.62 |
| DM(R)-05 | 5 | 13.64 | 10.16 |
| DM(R)-06 | 6 | 16.18 | 12.70 |
| DM(R)-07 | 7 | 18.72 | 15.24 |
| DM(R)-08 | 8 | 21.26 | 17.78 |
| DM(R)-09 | 9 | 23.80 | 20.32 |
| DM(R)-10 | 10 | 26.34 | 22.86 |
| DM(R)-12 | 12 | 31.42 | 27.94 |
| PROD. NO. | NO.OF POS. | DIM.A | DIM.B |



DM(R)-01

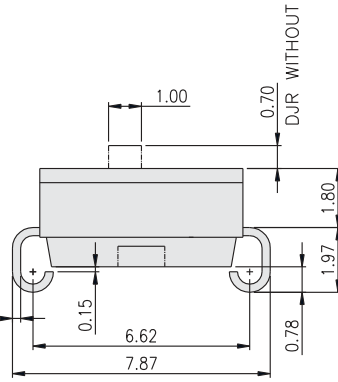
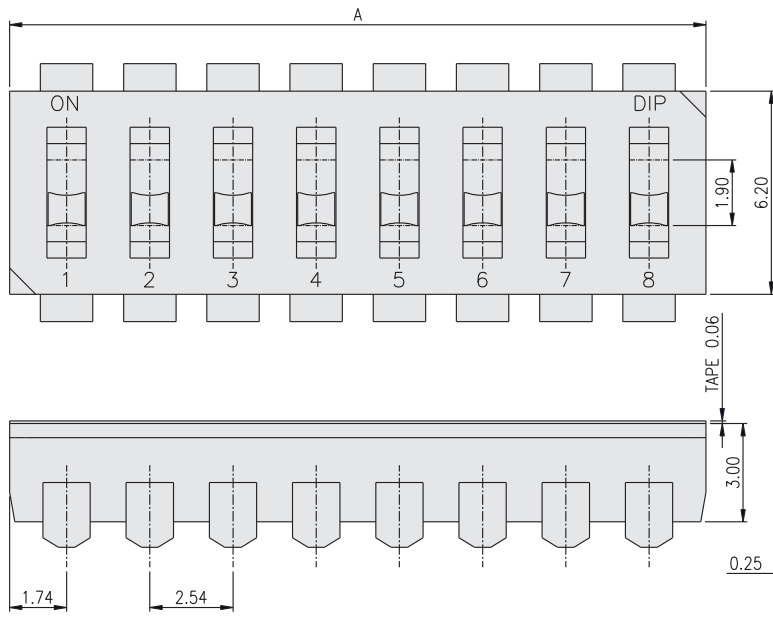
DM(R)-02~12

DIP SWITCH DM, DJ, DL SERIES

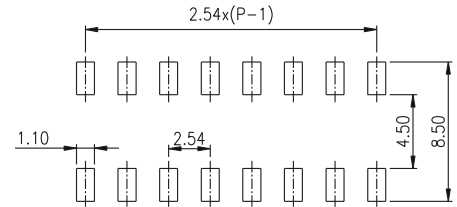
Surface Mount
IC Type



DJ(R)

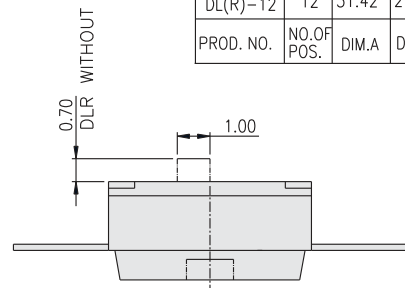
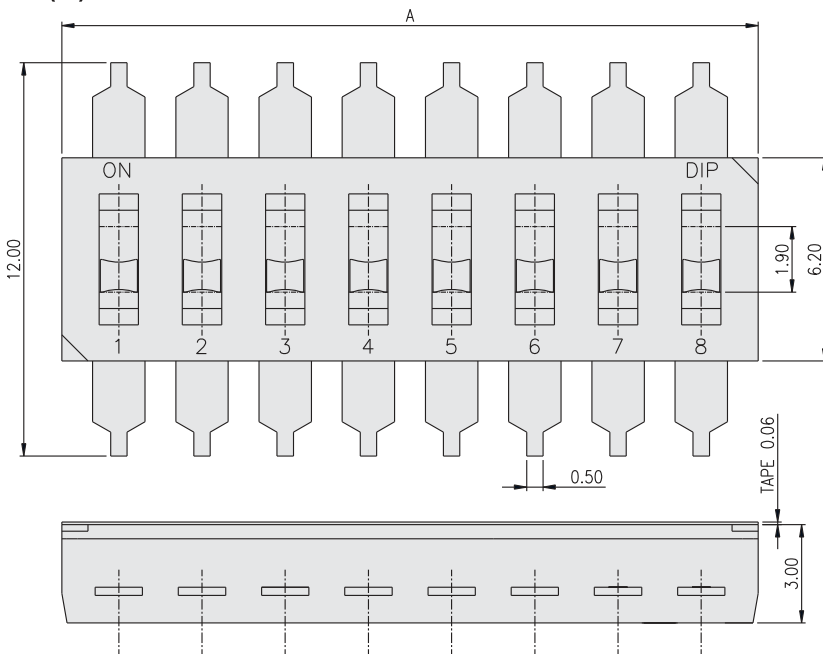


| | | | |
|-----------|-------------|-------|-------|
| DJ(R)-02 | 2 | 6.02 | 2.54 |
| DJ(R)-03 | 3 | 8.56 | 5.08 |
| DJ(R)-04 | 4 | 11.10 | 7.62 |
| DJ(R)-05 | 5 | 13.64 | 10.16 |
| DJ(R)-06 | 6 | 16.18 | 12.70 |
| DJ(R)-07 | 7 | 18.72 | 15.24 |
| DJ(R)-08 | 8 | 21.26 | 17.78 |
| DJ(R)-09 | 9 | 23.80 | 20.32 |
| DJ(R)-10 | 10 | 26.34 | 22.86 |
| DJ(R)-12 | 12 | 31.42 | 27.94 |
| PROD. NO. | NO. OF POS. | DIM.A | DIM.B |

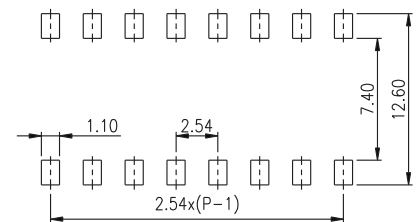


P.C.B. LAYOUT

DL(R)



| | | | |
|-----------|-------------|-------|-------|
| DL(R)-01 | 1 | 3.48 | |
| DL(R)-02 | 2 | 6.02 | 2.54 |
| DL(R)-03 | 3 | 8.56 | 5.08 |
| DL(R)-04 | 4 | 11.10 | 7.62 |
| DL(R)-05 | 5 | 13.64 | 10.16 |
| DL(R)-06 | 6 | 16.18 | 12.70 |
| DL(R)-07 | 7 | 18.72 | 15.24 |
| DL(R)-08 | 8 | 21.26 | 17.78 |
| DL(R)-09 | 9 | 23.80 | 20.32 |
| DL(R)-10 | 10 | 26.34 | 22.86 |
| DL(R)-12 | 12 | 31.42 | 27.94 |
| PROD. NO. | NO. OF POS. | DIM.A | DIM.B |



P.C.B. LAYOUT

DIP SWITCH