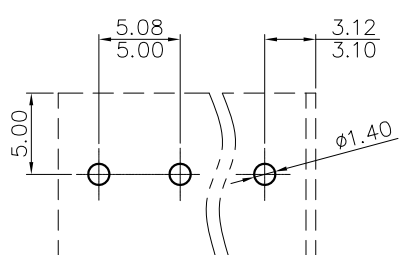
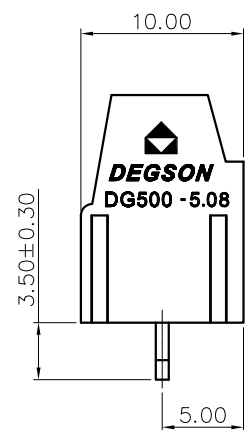
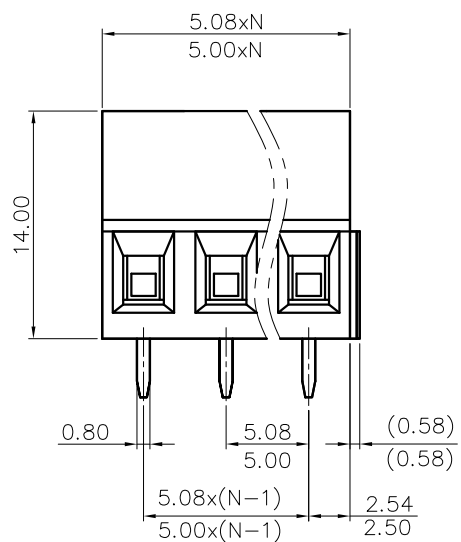
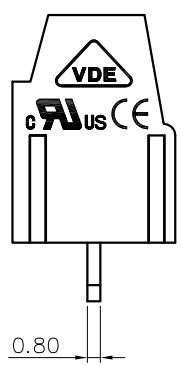
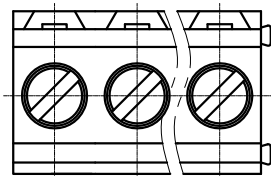


REVISION RECORD				
REV	ECN	DESCRIPTION	DRFT	DATE



PCB LAYOUT

NOTES1:

- UL Standard
- 1.Rated voltage/current : 300V / 20A
 - 2.Torque value : M2.5 , 3.54Lb.in
 - 3.Wire range : 30~12AWG
- IEC Standard
- 1.Rated voltage/current : 250V / 18A
 - 2.Torque value : M2.5 , 0.4N·m
 - 3.Wire range : 1.0~2.5mm²

NOTES2:

- 1.Dimension shall be interpreted per ASME Y14.5-2009
- 2.Pitch : 7.62mm, Poles : N=02~XXP
- 3.Stripping length : 6~7mm
- 4.Withstanding voltage : AC2000V/1Min
- 5.Operating temperature: -40°C~+105°C
- 6.Undimensioned tolerances:

Pitch range in mm		Nominal dimension range in mm					-	∩	□
TO	Over	TO	Over	TO	Over	TO	Over	TO	
6	10	6	10	30	60	100	150	0.1/10	
±0.15	±0.20	±0.30	±0.30	±0.50	±0.70	±1.00	±1.30	<	
								±2*	

7.RoHS Compliance

DG500 - 5.0/5.08 - XXP - 1Y - 00A (H)

(Series No.) (Pitch) (Poles) (Single Pitch) (Color) : 1.(Grey)
 2.(Blue)
 3.(Black)
 4.(Green)
 5.(Orange)
 6.(Red)
 7.(Transparent)
 8.(Yellow)
 9.(White)

DETACHED LISTS	PART NO.:	/			宁波高松电子有限公司 NINGBO DEGSON ELECTRICAL CO., LTD	
	APPD:	/			NAME: DG500-5.0/5.08-XXP-1Y-00A(H)	
	CHKD:	/			TITLE: CUSTOMER DRAWING	
	DRFT:	/			REV	DO
THIRD ANGLE PROJECTION		DRAWING NO.:		SHEET 1/1		
		MM (INCH)		DO NOT SCALE DRAWING	SCALE 1:1	